



DoorBird Video Doorbell D203, Full Stainless-Steel, Flush-Postbox Edition





Technical data

General		Video	
Housing	Front panel 3,0mm brushed Stainless steel, galvanized steel sheet flush-mounted housing, back powder-coated RAL 9007, door with cylinder lock and 2 keys, extendable slot for differnet wall strengths	Camera	HDTV 720p, dynamic (VGA – HDTV)
Doorbell button	Stainless-steel button with illuminated LED Ring	Lens	High-end Ultra wide-angle Hemispheric Lens 180° horizontal, 90° vertical, straightened, IR-capable
Nameplate	Illuminated	Night-vision	Yes, Light sensor, Automatic IR-Cut Filter
Mounting type	Flush-mounted	Audio	
Power supply	15VDC (power 110-240VAC) or Power over Ethernet (PoE 802.3af Mode-A)	Audio components	Speaker and microphone, Echo and Noise Canceller
Weight	5kg	Audio streaming	Two-way
Connectors	Power, Electric door opener / strike, Door chime, Door opener button, Network	Network	
Outdoor-ready	Yes, IP54	WiFi	802.11b/g/n 2.4GHz
Approvals	CE, IC, FCC, IP54	Ethernet	Connector
Dimensions	215 x 125 x 56mm (H x W x D)	Motion sensor	
Operating conditions	- 20 to +40°C Humidity 10 to 85% RH (non condensing)	Type	Passive Infrared sensor (PIR)
Included accessories	Video doorbell, front panel, flush-mounted housing, Power supply unit (world-wide, 110- 240V), , DIN-Rail power supply sold separately, Screw package, Quickstart Guide , 2x 1m antenna extension cable, 2x external antenna	Detection angle	180°
EAN	4260423860148	Range	2-8m (dep. on environm.)
Current system requirements		Illumination	
Mobile device	iOS 7+ iPhone or iPad, Android 4.3+ Smartphone or Tablet	Lighting ring	12 intelligent Infrared LEDs
Internet	High-Speed landline broadband Internet connection, DSL, cabel or Fiber, min. 500kbs Uploadbandwidth, no Socks- or Proxyserver	Range	2-8m (dep. on environm.)
Network	802.11b/g/n 2.4GHz or Ethernet network, with DHCP	Integrated wireless modules	
Recommended installation height	Camera lens should be at a min. height of 125cm	WiFi	2,4 GHz, external antenna
		RFID	433 MHz, external antenna
		Bluetooth	Available separately
		Optional accessories	
		Sold separately	DIN-Rail Power supply A001
		Special remarks	
		The assembly requires professional skills or technician	



More photos



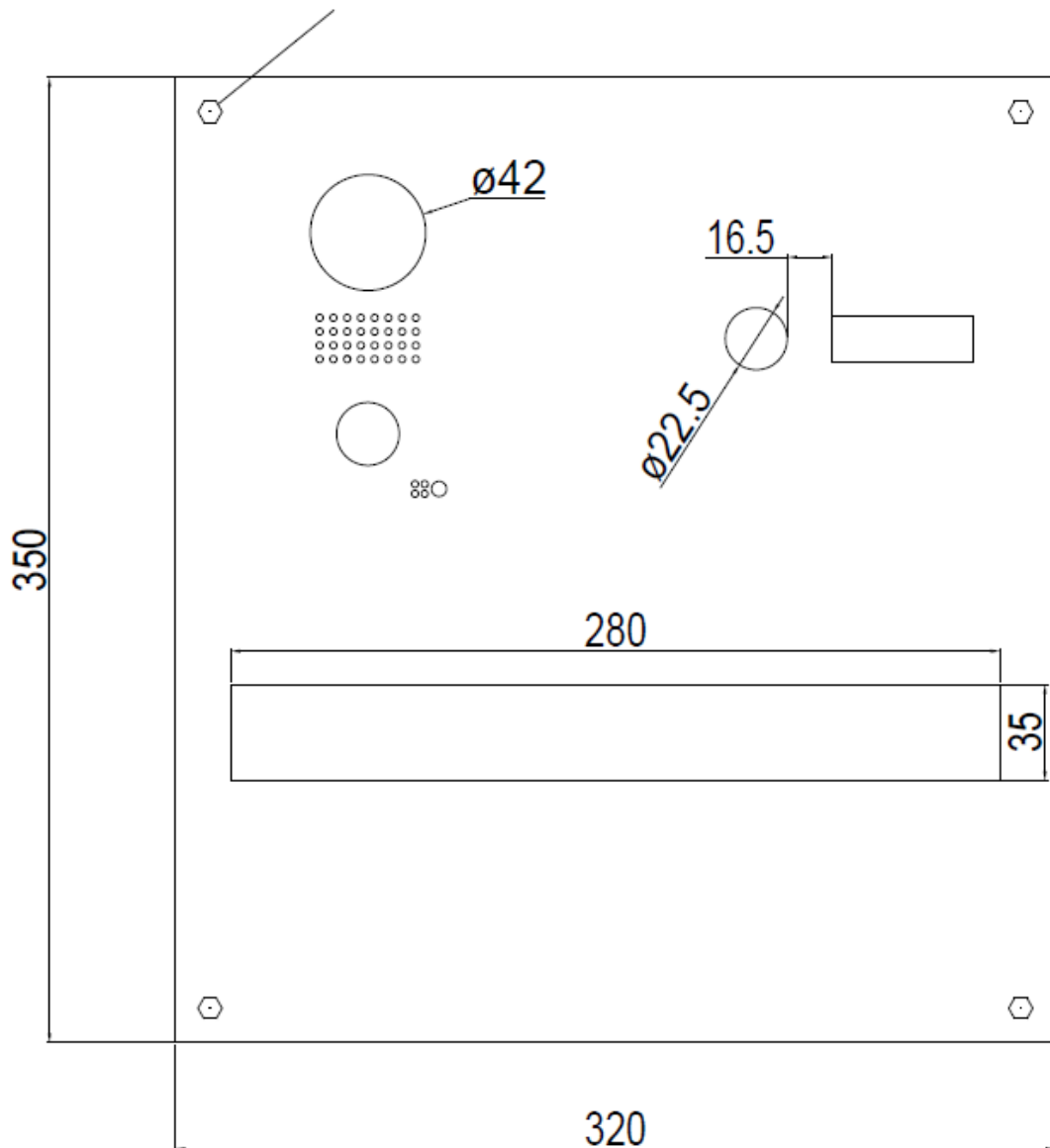


Technical Drawings

Front panel, data in mm

Material thickness: 3,0

Senkung DIN74-Bm4





Mounting housing, data in mm

The installation of the video doorbell to a wall or fence requires professional skills and suitable tools e.g. drilling machine, drill, dowels and if necessary spacers. These are not included.

