

Weatherproof Intercom Telephone IntellyCom 3T

Analogue telephone with amplified listening, in stainless steel housing

- ▶ Protection degree IP 66 acc. to IEC60529
- ▶ Ambient temperatures -40 °C to +60 °C
- ▶ Integrated call display
- ▶ Microphone key + 3 speed code dialling keys
- ▶ Can be integrated in all analogue private branch exchanges
- ▶ Tamper contact (sabotage contact)



Application

The IntellyCom 3T telephone can be integrated in all analogue private branch exchanges. Due to the stable stainless steel housing with protection degree IP 66, it may be used outdoors any time.

The system is based on pure amplified listening without receiver, which makes it extremely robust and hooligan resistant. A built-in relay (max. power 1 Amp.) enables activation of switching procedures as for instance the closing of doors, signalling etc.

Many system features are programmable, e.g. dialling procedures, automatic call acceptance or call rejection, automatic telephone number concatenation upon "Busy" or after a certain amount of time, ringing sound pressure level, call melody and many more.

The telephone is equipped with 3 speed code dialling keys.

Installation with installation housing

The housing is made of stainless steel and is therefore corrosion free and very robust. The special screws in the front cover, as well as the integrated cover contact, protects the telephone against unauthorized opening and manipulation.

The telephone is shipped from the factory with a cable gland M20.

For the relay function, the housing also is equipped with a blind plug, which may be replaced by a cable gland M20.

Installation without installation housing

The complete electronics is fastened to the front cover. This way, the telephone can be easily integrated in cut-outs or panels.

Communication in a prison

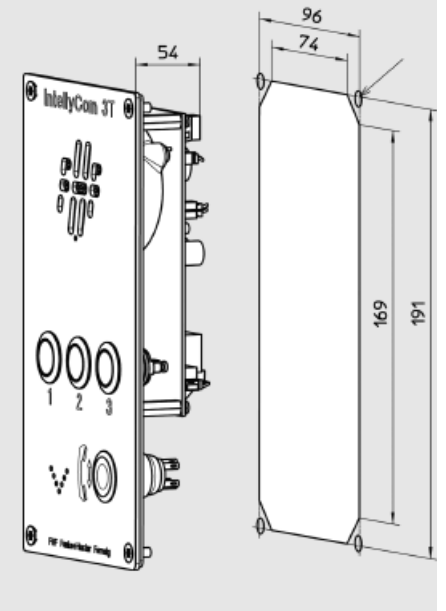
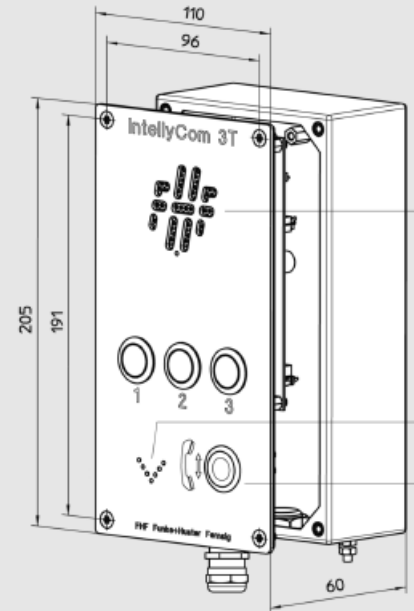
The special screws in the front cover protect the telephone against unauthorized opening and manipulation.



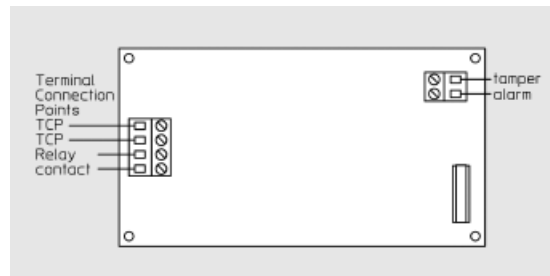
Technical Specifications

Connection data

Housing	stainless steel
Degree of protection	IP 66 acc. to IEC 60529
Cable gland	1x M20 x 1.5 Cable diameter 8–12 mm 1x blind plug M20
Dimensions in mm	H 205 / B 110 / T 59
Weight	approx. 1.5 kg
Temperature range	-40°C to +60°C
Ringling volume	approx. 80 dB(A)



Connection of the sabotage contact



Order information

Type	Description	Article no.
IntellyCom 3T	Telephone with amplified listening 3 keys with housing	112 746 03
IntellyCom 3T	Telephone with amplified listening 3 keys without housing	112 747 03

Subject to change without notice · Printout 08/14

