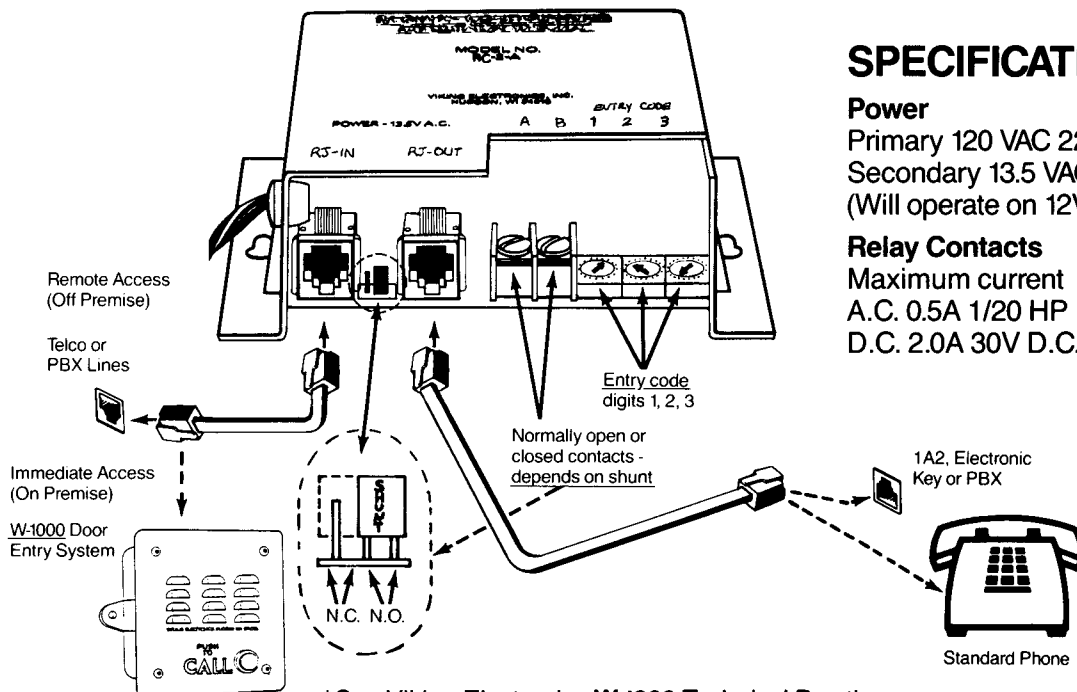




The **RC-2A** enables a standard touch-tone telephone to control one or more **maintained on**, **maintained off** or **momentary** relay contacts at a remote location. The **RC-2A** can be installed on-premise on a line shared by a door entry system such as **Viking's W-1000**. For off-premise applications, the **RC-2A** can be installed on a line shared by a key system, PBX, single line phone or a dedicated line. The **RC-2A** will answer **C.O.** or **PBX** lines and allow remote relay operation after 2 or 15 rings. Field programmable entry (security) codes prevent unauthorized usage. Power supply included.

RC-2A REMOTE CONTROL APPLICATIONS

- High Security Building Entry Systems*
- Heating/Cooling Equipment
- Pumps and Fans
- On/Off Control of Courtesy Phones (2 lines)
- Computer Modem Security Systems
- Gate Openers*
- Lighting
- Modem/Fax Remote Select
- Coffee Pot
- K.S.U. Reset



SPECIFICATIONS:

Power

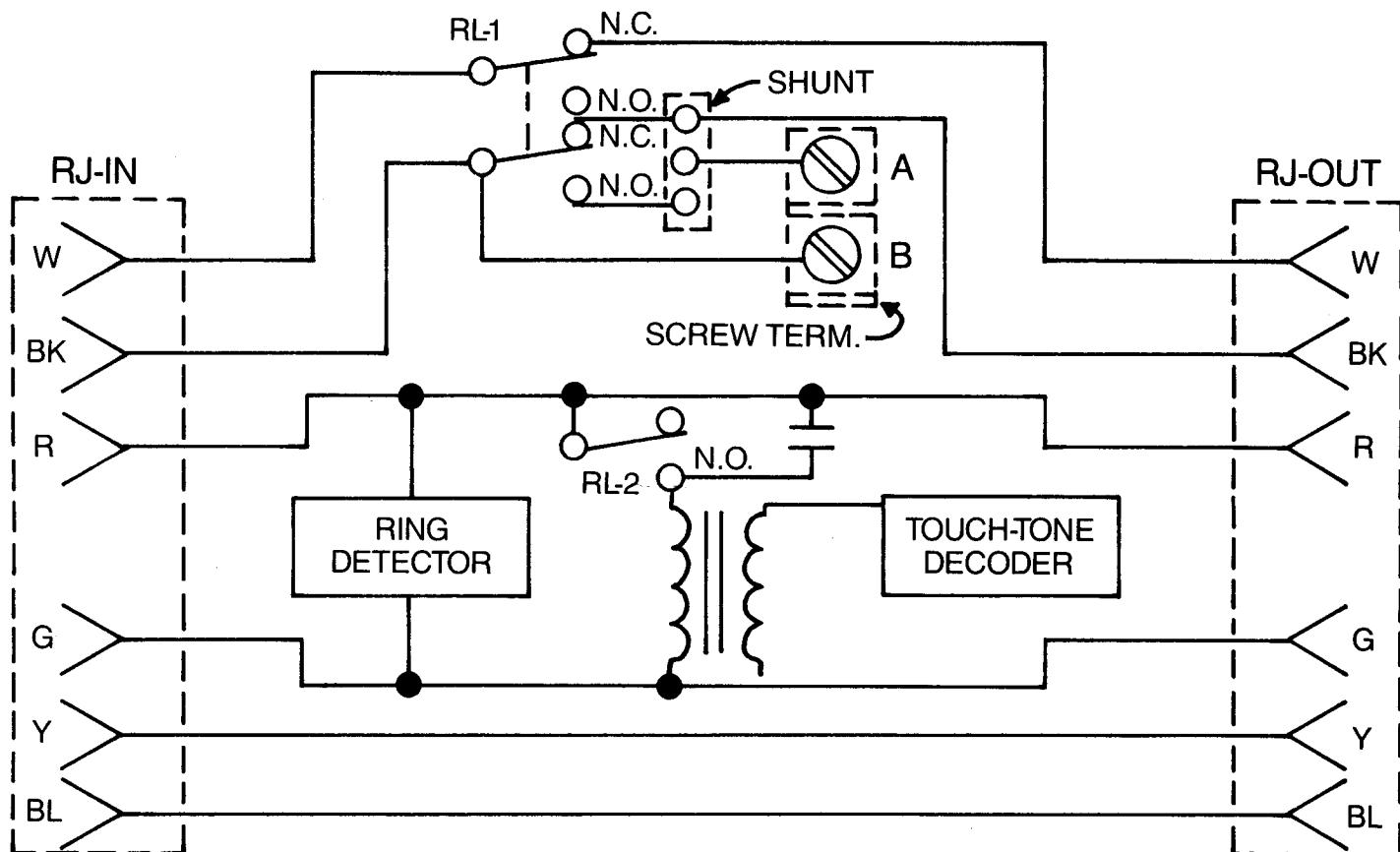
Primary 120 VAC 22W
 Secondary 13.5 VAC 15VA
 (Will operate on 12V D.C. 250 MA)

Relay Contacts

Maximum current
 A.C. 0.5A 1/20 HP 125 VAC
 D.C. 2.0A 30V D.C.

*See Viking Electronics **W-1000** Technical Practice

CAUTION: The unit is **NOT** protected against damage from power line surges and a power line surge protector is recommended...You may use the protected source you have installed for the K.S.U....



RC-2A INTERNAL WIRING

SETTING THE SECURITY CODE

The RC-2A contains 3 switches which must be set at the time of installation. Using a small flat blade screwdriver, rotate the white arrow on each switch to the desired entry code setting. The code may be any digit one through zero or "C" (# on Touch-Tone pad). For higher security applications, you may also use the E, F positions, provided, however, you must have a special telephone with a 4 x 4 keyboard.

1	2	3	
4	5	6	E
7	8	9	F
*	0	#	

OPERATING WITHOUT A SECURITY CODE

Set any switch to position D and you can operate the RC-2A without entering a security code.

OPERATING THE RC-2A

IMMEDIATE ACCESS MODE (ON PREMISE)

Establish voice communications by accessing the dedicated line and verifying the person has entry authorization.

REMOTE ACCESS MODE (OFF PREMISE)

Call the **RC-2A** from a remote location. The unit will answer after 16 rings or; if a “#” (switch setting “C”) is used for one or more **Entry Code Settings**, the **RC-2A** will answer in 2 rings. After the **RC-2A** answers, you will hear a single tone burst.

ENTER THE SECURITY CODE (Ignore this step if a security code is **NOT** used)

After gaining immediate or remote access to the **RC-2A** as described above, press “*” on your phone then press Digit 1, Digit 2 and Digit 3 exactly as you have set the switches on the **RC-2A**.

SYSTEM PROTOCOL

After entering the security code, enter one or more **command codes**. You may continue to enter **command codes** so long as the time between key strokes does not exceed 60 seconds. If you do exceed 60 seconds you must re-access the **RC-2A** and resend the entry code.

COMMAND CODES	ACTION	*ACKNOWLEDGEMENT
“13”	To energize relay 1 momentarily for .5 sec.	one tone burst
“10”	To energize relay 1	two tone bursts
“19”	To de-energize relay 1	one tone burst
“15”	To energize relay 1 as long as “5” is pressed (.5 sec. minimum)	one tone burst
“16”	To energize relay 1 while “6” is pressed and for 5 seconds after it is released	one tone burst
“1#”	To interrogate the relay status	two tone bursts if energized, one if de-energized
“18”	The RC-2A will release the phone line (Applicable to remote access mode only)	3 tone bursts
“14”	To energize relay 1 while “4” is pressed and for 1 second after it is released	one tone burst
“7”	To correct a mistake on relay selection code entry	none

*The unit will confirm completion of the action requested by sending two tone bursts (relay energized) or one tone burst (relay de-energized).

SYSTEM SECURITY

If a complete Entry Code is not entered, the unit will release the phone line in 20 seconds.

You are allowed 60 seconds between key strokes only after you have entered a valid entry code.

If an incorrect code is entered, the unit will release the phone line immediately. If you simply hang up, the **RC-2A** will release the phone line in one minute. (Applicable to the remote access mode only.)

If you enter a wrong entry code more than five times in a row, the system will lock out all incoming calls for 60 minutes. On power up or power loss all relays are de-energized. The unit has an internal “keep alive” circuit to reset the electronics if it becomes “latched up” due to power surges, static or nearby lightning storms.

OPTIONAL OUTPUTS/INPUTS

The **RC-2A** can be equipped with an optional 4 port Input/Output relay module, **Model RB-5**, which will provide the ability to address 4 more outputs or 2 outputs and the ability to interrogate 2 inputs, e.g. door closed?, temperature too cold?, etc.