

# VIKING<sup>®</sup>

Telecommunication Peripheral Products

## *Technical Practice*

### **W-3000**

**Vandal Resistant  
Handsfree Doorbox**

January 31, 2001

## **Answer Your Door or Gate from any Phone in Your Home or Office**



Now you can answer your door or gate from the safety of your telephone.

The **W-3000** weather resistant, handsfree doorbox provides an attractive and vandal resistant stainless steel faceplate. It is designed to interface directly with the unused telephone line input of nearly any phone system. One or two doorboxes

can also share an existing residential phone line when used with a **C-1000A** doorbox controller.

When the **Call** button is pressed, the doorbox generates a standard or custom ring cadence of an adjustable number of rings. For noisy environments, the doorbox's "push-to-talk" feature can be used.



Shown with optional VE-5x5

<http://www.VikingElectronics.com>

[E-mail...Sales@VikingElectronics.com](mailto:Sales@VikingElectronics.com)

### **Features**

- Vandal resistant, 14 gauge stainless steel faceplate with flush mount and surface mount gaskets
- Metal vandal resistant push button
- Call progress / night light LED
- 24 volt talk battery
- 20 Hz ring generator (3.0 REN)
- Selectable ring cadence (standard or two short rings)
- Selectable number of rings (1, 2, 3 or 10)
- Selectable "push-to-talk" feature for noisy environments
- Microphone volume adjustment
- Extended operating temperature range (-15°F to 130°F)
- Compact 45° terminal strip for easy wiring
- Flush mount PVC rough in box provided
- Optional surface mount box available (**VE-5x5**)

### **Applications**

- Commercial, industrial and residential door security
- Door or gate communication
- Truck stop and gas station fuel island communication
- Use with the **C-1000A** (Fax Back Document 155) controller for single line residential systems or when the operation of door strikes or gate openers is necessary

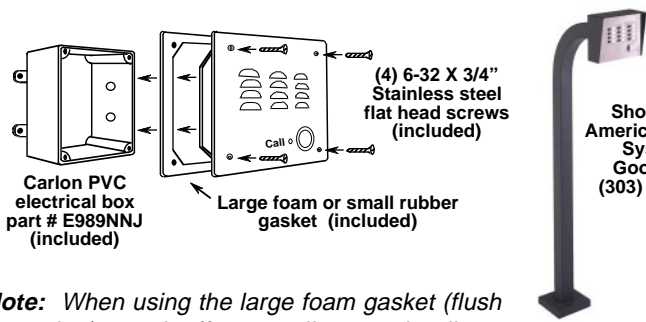
**Sales...(715) 386 - 8861**

### **Specifications**

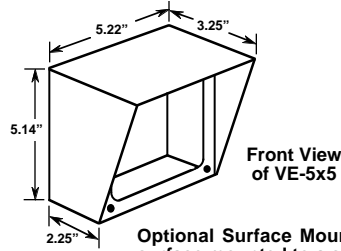
**Power:** 120V AC/13.8V AC 1.25A UL listed adapter provided  
**Dimensions:** Overall-127mm x 127mm x 57.2mm (5.0" x 5.0" x 2.25") Plastic Electrical Box-102mm x 102mm x 54mm (4" x 4" x 2.12")  
**Shipping Weight:** 1.81 Kg (4 lbs)  
**Environmental:** -26°C to 54°C (-15°F to 130°F) with 5% to 95% non-condensing humidity  
**Connections:** (4) position screw terminal strip  
**Ringer Output:** 3.0 REN, 20 Hz  
**Maximum Loop Length:** 1.9 Km (6300 ft) - 24 AWG twisted pair  
**Maximum Power Run:** 45.7 m (150 ft) - 24 AWG twisted pair

**Made in the U.S.A.**

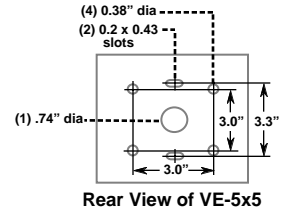
# Installation



Shown with American Access System's Gooseneck (303) 799-9757



Front View of VE-5x5



Rear View of VE-5x5

Optional Surface Mount Box (VE-5x5) is designed to be surface mounted to a single gang box or pedestal (left). For more information retrieve Fax Back Document 424.

**Note:** When using the large foam gasket (flush mounting), peel off paper liner and adhere gasket to the back of the faceplate, centering over four corner mounting holes. The **W-3000** will **NOT** mount to a standard double gang box.

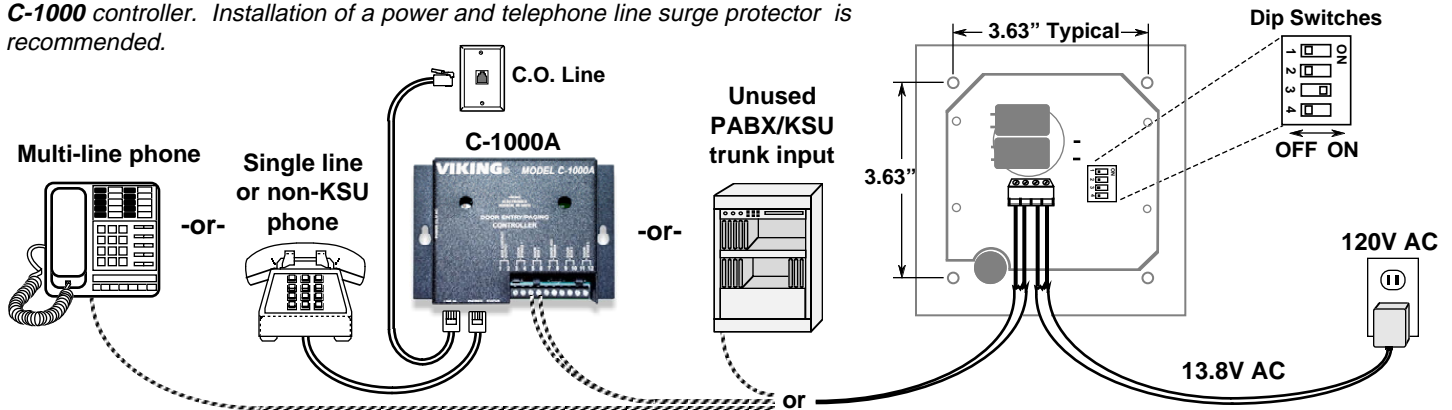
**Caution:** When warm air comes in contact with cold surfaces, such as outside walls and conduits, it causes condensation. To prevent condensation and moisture from accumulating inside the **W-3000** always bring conduit into the bottom of the unit. If this is not possible, drill a 1/4" diameter hole in the bottom of the gray plastic box.

**Important:** Do **NOT** install a **W-Series** doorbox on a telephone line without a **C-1000** controller. Installation of a power and telephone line surge protector is recommended.

## Dip Switch Programming

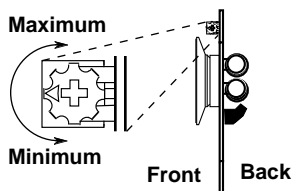
| Sw 1 | Ring Cadence   |
|------|--|
| OFF  | Standard: 1 second on, 3 seconds off   |
| ON   | Custom (2 short rings): .5 seconds on, .25 seconds off, .5 seconds on, 3 seconds off |

| Sw 2 | Sw 3 | Ring Output | Sw 4 | Communication Mode    |
|------|------|-------------|------|-----------------------|
| OFF  | OFF  | 1 Ring      | OFF  | Normal handsfree mode |
| ON   | OFF  | 2 Rings     | ON   | Push-to-talk mode     |
| OFF  | ON   | 3 Rings     |      |                       |
| ON   | ON   | 10 Rings    |      |                       |



# Programming/Operation

## A. Microphone Volume Adjustment POT



In certain noisy locations, the microphone sensitivity may need to be decreased. A POT is provided on the **W-3000's** circuit board to increase or decrease the microphone sensitivity. However, in extremely noisy locations this POT adjustment may not be enough to allow two-way talk path. In this case the "push-to-talk" mode should be used as shown in the switch settings above (see section **C** below).

**Note:** The POT comes factory set in the middle position.

## B. Handsfree Operation ( Dip Switch 4 - OFF)

When the **Call** button is pressed, the call progress LED will turn off and the **W-3000** will begin generating a 20 Hz ring signal. The caller will hear an audio ring back signal while the LED flashes. When the inside party has answered, the LED will light until the calling party hangs up. At that point, the LED will turn off for approximately one second and then light steady to illuminate the **W-3000** after dark.

## C. Push-to-Talk Operation (Dip Switch 4 - ON)

In extremely noisy locations, the "push-to-talk" mode should be used. To switch to the "push-to-talk" mode, place dip switch 4 in the **ON** position (see **Dip Switch Programming**).

To initiate a call, momentarily press the **Call** button to generate the ring signal. After the inside party has answered, press and hold the call button to talk. Release the call button to listen.

**Product Support Line...(715) 386-8666**

**Fax Back Line...(715) 386-4345**

Due to the dynamic nature of the product design, the information contained in this document is subject to change without notice. Viking Electronics, its affiliates and/or subsidiaries assume no responsibility for errors and/or omissions contained in this information. Revisions of this document or new editions of it may be issued to incorporate such changes.