

Telecommunication Peripheral Products  
**Technical Practice**

**W-1000/W-2000**

Handsfree Doorboxes

January 19, 1998

## Answer Your Door or Gate From Any Phone in Your Home or Office



W-1000



W-2000

Now you can answer your door or gate from the safety of your telephone!

The **W-1000** (flush mount) and **W-2000** (surface mount) doorboxes are designed to be installed on the unused telephone line input of nearly any phone system. One or two doorboxes can also share an existing residential phone line when used in combination with a **C-1000** doorbox controller.

When the **Push To Call** button is pressed, the doorbox generates a standard ring cadence for an adjustable number of rings. To converse with the visitor, the inside party simply answers the call from the phone of his choice.

<http://www.VikingElectronics.com>

[E-mail...Sales@VikingElectronics.com](mailto:Sales@VikingElectronics.com)

### Features

- **W-1000:** Vandal resistant, black powder painted, aluminum faceplate with mounting gaskets.
- **W-2000:** Ash colored, impact resistant, UV stable, plastic chassis with black powder painted rain guard.
- 24 volt talk battery
- 20 Hz ring generator (3.0 REN)
- Adjustable maximum number of rings (1 to approximately 7)
- Microphone volume adjustment
- Compact 45° terminal strip for easy wiring
- Optional surface mount box available (**VE-5x5**)

### Applications

- Commercial, industrial and residential door security
- Door or gate communication
- Truck stop and gas station fuel island communication
- Use with the **C-1000** controller for single line residential systems or when the operation of door strikes or gate openers is necessary

### Specifications

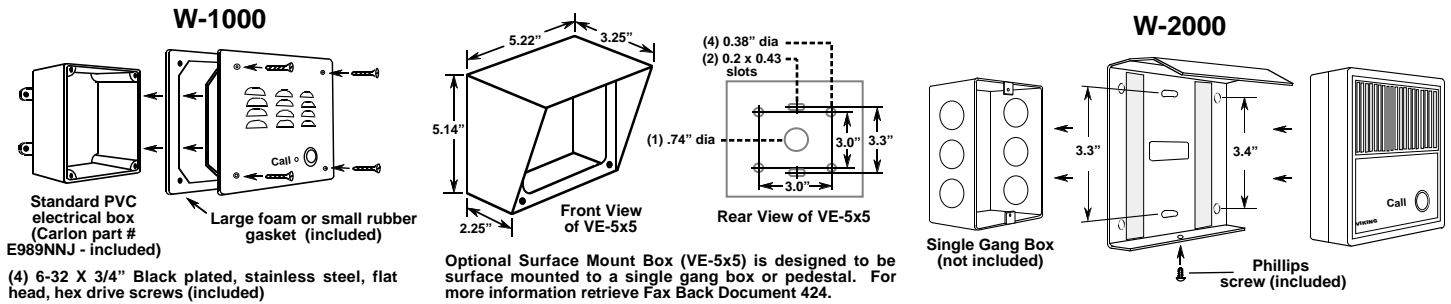
**Power:** 120V AC/13.8V AC 1.25A UL listed adapter provided  
**Dimensions:** **W-1000** - Overall-127 x 127 x 57 mm (5.0 x 5.0 x 2.25") Plastic Electrical Box-102 x 102 x 57 mm (4 x 4 x 2.25"), **W-2000** - 140 x 104 x 43 mm (5.5 x 4.1 x 1.7").  
**Shipping Weight:** **W-1000** - 1.36 kg (3 lbs), **W-2000** - .91 kg (2 lbs)  
**Connections:** (4) position screw terminal strip  
**Ringer Output:** 3.0 REN, 20Hz  
**Ring Cadence:** 1 second ON, 3.5 seconds OFF  
**Maximum Loop Length:** 1.9 Km (6300 ft.) - 24 AWG twisted pair  
**Maximum Power Run:** 45.7 m (150 ft.) - 24 AWG twisted pair

**Made in the U.S.A.**

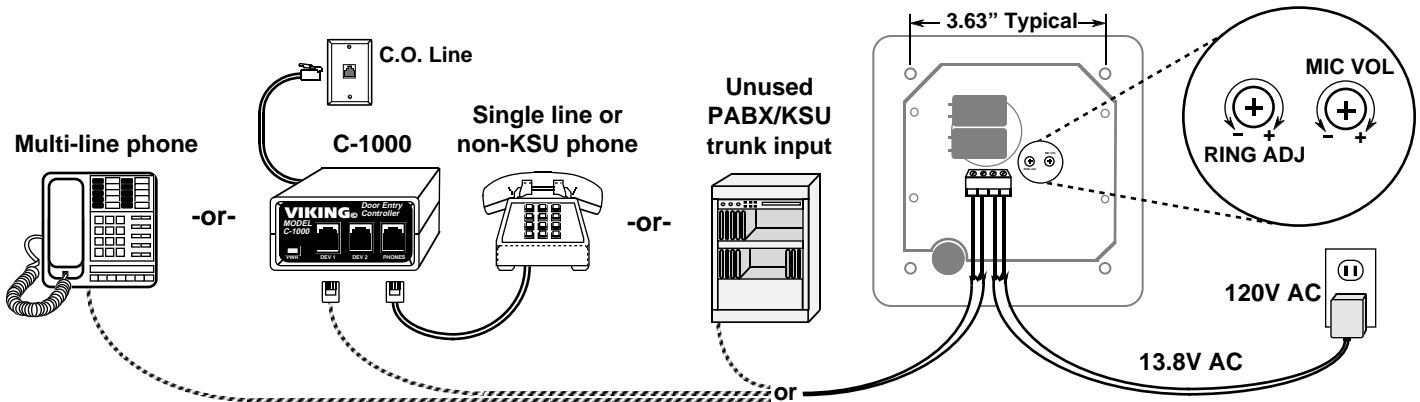
**Sales...(715) 386 - 8861**

# Installation

**Caution:** When warm air comes in contact with cold surfaces, such as outside walls and conduits, it causes condensation. To prevent condensation and moisture from accumulating inside the **W-1000** always bring conduit into the bottom of the unit. Otherwise drill a 1/4" diameter hole in the bottom of the gray plastic box for drainage.



**Important:** Do **NOT** install a **W-Series** doorbox on a telephone line without a **C-1000** controller.



# Programming

## A. Adjusting the Maximum Number of Rings

The **W-1000/2000** can be adjusted to output a ring signal from 1 to approximately 7 rings. Turn the "RING ADJ" potentiometer clockwise to increase the maximum number of rings as shown above.

**Note:** Test the unit after each potentiometer adjustment to determine if the desired number of rings was achieved.

## B. Adjusting the Microphone Volume

In certain noisy locations (background traffic, machinery or wind), the microphone volume may need to be decreased. A symptom of this is one-way talk path, in which the distant party cannot be heard over the speaker. A "MIC VOL" adjustment is provided on the **W-1000/2000** for increasing or decreasing the microphone sensitivity.

**Notes:** If the microphone volume is set too high or too low, one-way talk path may occur. For extremely noisy environments, use the **W-3000** explained below.

# Related Products

## W-3000 Stainless Steel Doorbox

The **W-3000** offers many new and improved features including a brushed stainless steel face plate, distinctive ringing, an illuminated LED, and a "Push-to-Talk" mode for extremely noisy environments. For more information, retrieve **Fax Back Document 180**.

## C-1000 Doorbox Controller

The **C-1000** controller dramatically expands potential installation sites for many peripherals, such as doorbells and paging amplifiers. The **C-1000** allows peripherals to be installed in single line residential applications as well as on fully loaded key systems. For more information, retrieve **Fax Back Document 155**.

**Product Support Line...(715) 386-8666**

**Fax Back Line...(715) 386-4345**

Due to the dynamic nature of the product design, the information contained in this document is subject to change without notice. Viking Electronics, its affiliates and/or subsidiaries assume no responsibility for errors and/or omissions contained in this information. Revisions of this document or new editions of it may be issued to incorporate such changes.