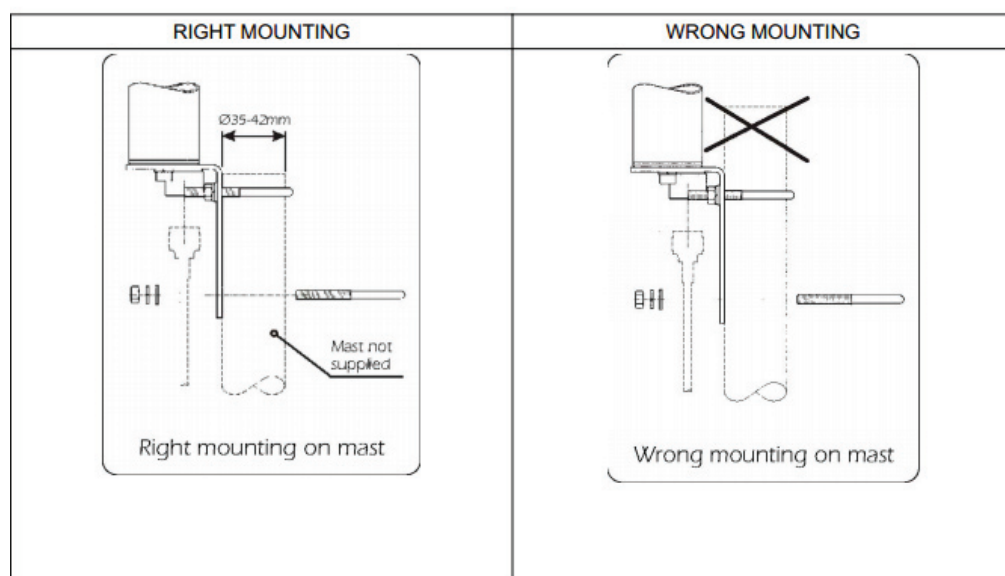


The EP-801-OUT-LLC400-10 content consist:

- 1 x Outdoor CX840 rugged antenna (30cm) with N-Female connector
- 1 x set of mounting U-Bolts & fasteners
- 1 x 10 meters of LLC400, Low Loss Coaxial cable with N-Male connector & TNC-Male connector

Mounting instructions

UHF antenna for base station service made of high quality materials to get the best performance and the maximum efficiency. It is completely manufactured with aluminum tubes and nylon for its great robustness and it is supplied with a solid steel bracket for an easy and safe installation. Its Gamma Match feed makes it earthed for a perfect protection against the discharges. In the mentioned range of frequency, adjustments are not required. Simple and strong it is particularly recommended for a professional use.





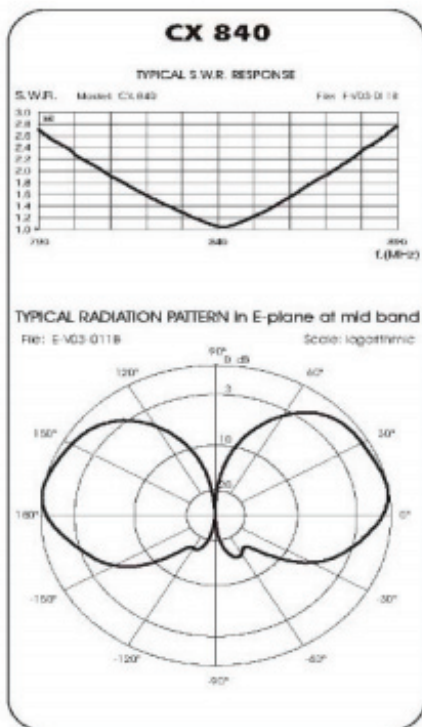
TNC Male connects to EP801 or EP802 Base Station. Please remove any existing antenna.



Type N-Male connects to External Antenna.



1 roll of 10 meters LLC400, low loss coaxial cable



SPECIFICATIONS

Electrical Data

Type	: 3/4 λ Coax. J-pole
Frequency Range	: CX 840 824-894 MHz for AMPS systems : CX 900 880-960 MHz for GSM 900 system
Impedance	: 50 Ω
Radiation (H-plane)	: 360° omnidirectional
Radiation (E-plane)	: Beamwidth @ -3 dB=70°
Radiation angle deg.	: 10°
Polarization	: Linear Vertical
Gain	: 2 dBd - 4.15 dBi
SWR in Bandwidth	: CX 840 TX-band ≤ 1.6; RX-band ≤ 2.8 : CX 900 TX-band ≤ 1.8; RX-band ≤ 2.6
Max Power	: 100 Watts (CW) @ 30° C
Grounding Protection	: All metal parts are DC-grounded, the inner conductor shows a DC-short
Connector type	: N-female

Mechanical Data

Materials	: Aluminium, Zamac, Steel, Brass
Wind Load / Resistance	: 17 N @ 150 Km/h / 180 Km/h
Wind Surface	: 0.01 m ²
Height (approx.)	: 370 mm
Weight (approx.)	: 470 gr
Operating Temperature	: -40° C to 80° C
Mounting Mast	: Ø 35-42 mm