

VIKING

Viking Electronics, Inc.
1531 Industrial Street
Hudson, Wisconsin 54016

Discovering practical applications for advanced technology.

Sales Line: 715-386-8861

Technical Practice

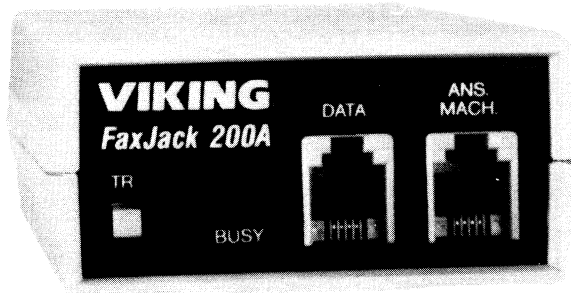
ITEM: FaxJack 200A
Automatic Fax/Data
Transfer Switch

MODEL: FAXJ-200A

ISSUE: November, 1989

Answering Machines, Fax Machines And Phones Can Share The Same Line!

Save hundreds of dollars per year by eliminating dedicated lines with FaxJack 200A



NOTE:

FaxJack 200A is designed to work only on standard 48 volt Centrex, CO or PBX lines.

FaxJack 200A is an easy-to-install switching device which allows users to share their existing phone line with their facsimile and answering machines ... while avoiding the aggravation of using a fax machine in the manual mode.

FaxJack 200A allows the caller using a Touch-Tone® phone, or the answering party using a Touch-Tone® or rotary phone, to transfer the call to the fax.

FaxJack 200A eliminates: 1. asking the fax senders to call back; 2. inadvertently sending voice calls to the fax machine; 3. watching the fax until the transmission is complete and then turning the fax off again.

FaxJack 200A can be programmed to ring the fax if the phones are not answered within 1 to 9 rings.

FaxJack 200A blocks outbound fax calls from interrupting a voice call in process — outbound voice calls can be blocked on phones which have the Viking Tele-Guard Model TG-1 installed (see below).

FaxJack 200A allows the user to receive both voice (via an answering machine) and fax calls when the office is unattended (see below).

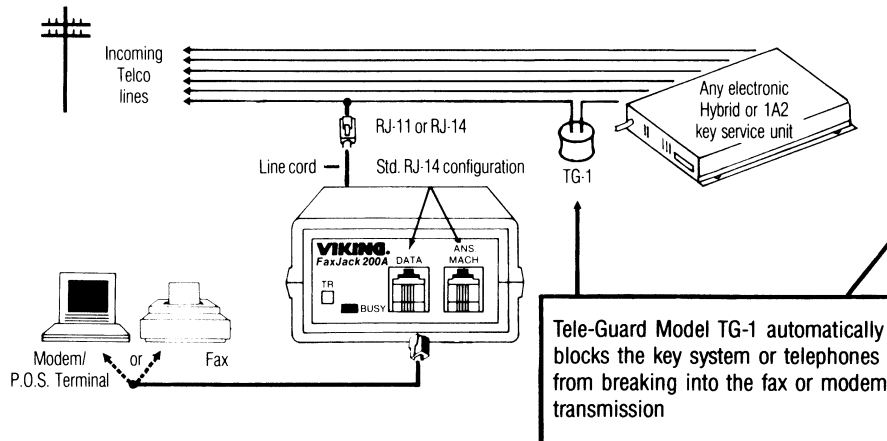
INSTALLATION Easy As 1, 2, 3

1. Remove the fax machine plug from the RJ-11/RJ-14 phone jack. Plug the FaxJack 200A line cord into that jack.
2. Plug the fax machine line cord into the FaxJack 200A "Data" jack. For best results, set the fax machine ring delay to "1".

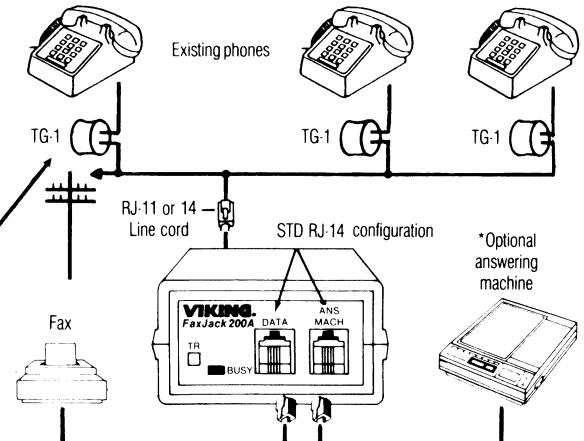
NO REWIRING REQUIRED!

3. A surge protector is recommended. Plug the adapter into a 120 volt AC, 24 hour unswitched power outlet. The FaxJack 200A is now ready for use.

Electronic, 1A2 or Hybrid Key Application



Single Line Phone Application



How to structure answering an after hours voice or fax message...

All calls should be answered by the answering machine. The voice message should sound like this: "This is Viking, no one is available to personally answer your call at this time. If you would like to leave a voice message, please do so at the tone, or dial '#1' to send a fax".

Made In The U.S.A.

IMPORTANT

The FaxJack 200A is not protected against damage from power line surges. A surge protector is recommended. Ambient temperature should be 32°F to 90°F, 0°C to 40°C with 5% to 95% non-condensing humidity.

For efficient operation, program the fax machine (modem/P.O.S. terminal) to answer on the first ring.

Answering machine announcements must be structured like the following: "This is Viking. If you wish to send a fax, press '#, 1' now. If you wish to leave a message, do so at the tone." This will help avoid operational problems with the remote message retrieval function of the answering machine.

POWER FAILURE

In the event of power failure all calls ring to the phones.

USER PROGRAMMING

Requires a Touch-Tone® phone to program

- To change the **ring delay**, pick up a phone. When you hear dial tone, enter "★, 1" plus digit (1-9) for a ring delay of 1 through 9.
- To enter a **security code**, pick up a phone. When you hear dial tone enter "★, 3" plus a security code 1 to 4 digits in length.

With **security mode** active

- Incoming calls answered by an answering machine or a live person can only be transferred by dialing the correct security code.
- Incoming calls which exceed the ring delay are answered by FaxJack 200A. The caller will hear a "beep" at which time he must enter the correct security code to be transferred to the fax.

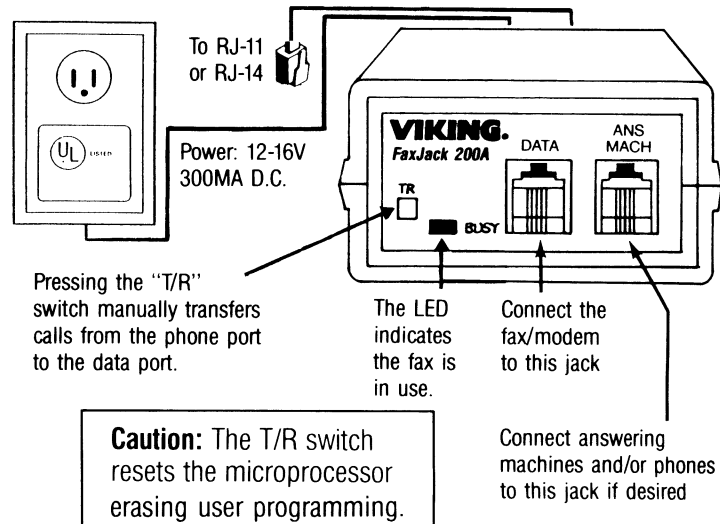
To cancel security mode press the "TR" switch.

TRANSFERRING FAX/MODEM CALLS

To transfer a call from the phone or key system use the following procedure:

TYPE OF PHONE	TYPE OF CALL	ACTION
Touch-Tone®	In- Or Out-Bound	Touch "#, 1"
Rotary (10 P/Sec)	In-Bound Only	Dial "2"
Tone Or Rotary	In- Or Out-Bound	"Flash" Twice
Tone Or Rotary	In- Or Out-Bound	Press "TR" Switch
Tone Or Rotary	CNG tone heard	Hang Up

CONNECTIONS AND CONTROLS

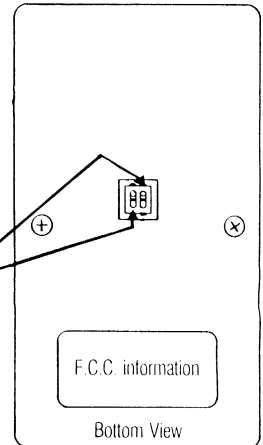


STANDARD PROGRAMMING

SW 1	SW 2	Ring Delay
On	On	7
Off	On	5
On	Off	3
Off	Off	No Answer

Switch 2
Switch 1

NOTE: After changing switch 1 or switch 2, press the T/R switch or power down for 30 seconds.



How To Use The Ring Delay Feature

The **ring delay** is the number of times your phones ring before the call is transferred to your fax. On multi-line systems, connect FaxJack 200A to the last line in your hunt group. When the attendant sees the last line ringing, but other line(s) in the hunt group are idle, the call can be ignored and allowed to automatically transfer to the fax. When all lines are busy, the attendant should answer before the ring delay.

Product Support Hotline . . . (715) 386-8666

LIMITED ONE YEAR WARRANTY

If, at any time during the warranty period, the product is defective or malfunctions, Viking shall repair or replace it (at Viking's option) within a reasonable period of time. If the product is defective, package it carefully, along with proof of purchase (including date of purchase) along with \$5.00 for return postage and handling and a short description of the malfunction, and mail it postage prepaid to the following address:

Manager—Product Service, Viking Electronics, Inc., Post Office Box 448, 1531 Industrial Street, Hudson, WI 54016

This warranty does not cover any damage due to accident, misuse, abuse or negligence.

Viking's sole responsibility shall be to repair or replace the product within the terms stated above. **VIKING SHALL NOT BE LIABLE FOR ANY LOSS OR DAMAGE OF ANY KIND, INCLUDING ANY INCIDENTAL OR CONSEQUENTIAL DAMAGES RESULTING, DIRECTLY OR INDIRECTLY, FROM ANY BREACH OF ANY WARRANTY, EXPRESSED OR IMPLIED, OR FOR ANY OTHER FAILURE OF THIS PRODUCT.** Some states do not allow the exclusion or limitation of incidental or consequential damages, so this limitation may not apply to you.

THIS WARRANTY IS IN LIEU OF ALL OTHER WARRANTIES, EXPRESSED OR IMPLIED, INCLUDING THE WARRANTIES OF MERCHANTABILITY AND FITNESS FOR A PARTICULAR PURPOSE, WHICH ARE HEREBY EXCLUDED BEYOND THE ONE YEAR DURATION OF THIS WARRANTY. Some states do not allow limitations on how long an implied warranty lasts, so the above limitation may not apply to you.

This warranty gives you specific legal rights, and you may have other rights which vary from state to state. If you have any questions concerning this warranty, or the product, contact your dealer or write to us at the above address.

Due to the dynamic nature of the product design, the information contained in this document is subject to change without notice. Viking Electronics, its affiliates and/or subsidiaries assume no responsibility for errors and/or omissions contained in this information. Revisions of this document or new editions of it may be issued to incorporate such changes.