



TOPCOM®

Twintalker 9500

USER GUIDE
HANDLEIDING
MANUEL D'UTILISATEUR
BEDIENUNGSANLEITUNG
MANUAL DE USUARIO
BRUKSANVISNING
BRUGERVEJLEDNING
ANVÄNDARHANDBOK
KÄYTTÖOHJE
MANUALE D'USO
MANUAL DO UTILIZADOR
UŽIVATELSKÁ PŘÍRUČKA
Οδηγιοσ Χρησισ
INSTRUKCJA OBSŁUGI
UŽIVATEL'SKÝ MANUÁL

V1.0 - 07/09



UK	The CE symbol indicates that the unit complies with the essential requirements of the R&TTE directive.
NL	Het toestel voldoet aan de basiseisen van de R&TTE-richtlijn. Dit wordt bevestigd door de CE-markering.
FR	La conformité de l'appareil avec les exigences fondamentales de la directive européenne R&TTE relative aux terminaux, est confirmée par le label CE.
DE	Die Übereinstimmung des Gerätes mit den grundlegenden Anforderungen der R&TTE-Directive ist durch das CE-Kennzeichen bestätigt.
ES	El sello CE corrobora la conformidad del equipo con los requerimientos básicos de la directiva R&TTE.
SE	CE-märket bekräftar att apparaten uppfyller de grundläggande kraven i R&TTE direktivet.
DK	CE-mærkningen bekræfter, at produktet er i overensstemmelse med kravene i Rådets teleterminaldirektiv.
NO	CE-merkingen dokumenterer at apparatet er i samsvar med de grunnleggende kravene til EU-direktivet for aktivt telekommunikasjonsutstyr.
FI	Laite noudattaa R&TTE-direktiivin vaatimuksia, mikä on vahvistettu CE-merkillä.
IT	Il simbolo CE indica che l'unità è conforme ai requisiti fondamentali della direttiva R&TTE.
PT	O símbolo CE indica que esta unidade cumpre com os requisitos essenciais da directiva R&TTE.
CZ	Symbol CE znamená, že jednotka splňuje základní požadavky směrnice R&TTE.
GR	Το σύμβολο CE δείχνει ότι η μονάδα συμμορφώνεται με τις βασικές απαιτήσεις της οδηγίας R&TTE.
PL	Symbol CE oznacza, że urządzenie spełnia istotne wymagania dyrektywy R&TTE.
SK	Symbol CE označuje, že jednotka súhlasí s hlavnými požiadavkami R&TTE smernice.

UK	The features described in this manual are published with reservation to modifications.
NL	De in deze handleiding beschreven mogelijkheden worden gepubliceerd onder voorbehoud van wijzigingen.
FR	Les possibilités décrites dans ce manuel sont publiées sous réserve de modifications.
DE	Die in dieser Bedienungsanleitung umschriebenen Möglichkeiten, werden vorbehaltlich Änderungen publiziert.
ES	Conexión a la red telefónica analógica.
SE	For anslutning til det analoga nätverket.
DK	Tilsluttes til det analoge telefonfastnet.
NO	Tilkoples analog telefon nettverk.
FI	Liitetään yleiseen analogiseen puhelinverkkoon.
IT	Le caratteristiche descritte nel presente manuale vengono pubblicate con riserva di modifica.
PT	Para efectuar a ligação com a rede pública analógica.
CZ	Připojit k veřejné analogové telefonní síti.
GR	Πρέπει να συνδεθεί σε ένα δημόσιο αναλογικό τηλεφωνικό δίκτυο.
PL	Do podłączenia do publicznej analogowej sieci telefonicznej.
SK	Pripojiť k verejnej analógovej telefónnej sieti.

This product is in compliance with the essential requirements and other relevant provisions of the R&TTE directive 1999/5/EC.
The Declaration of conformity can be found on :

<http://www.topcom.net/support/cedeclarations.php>

Illustration 1

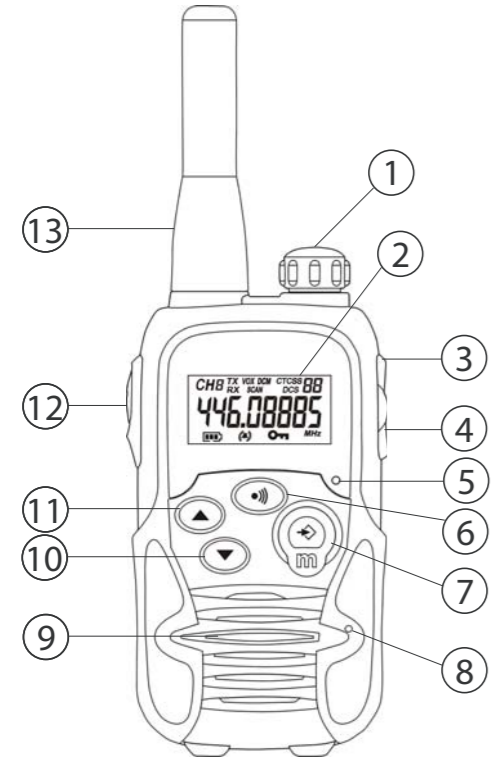
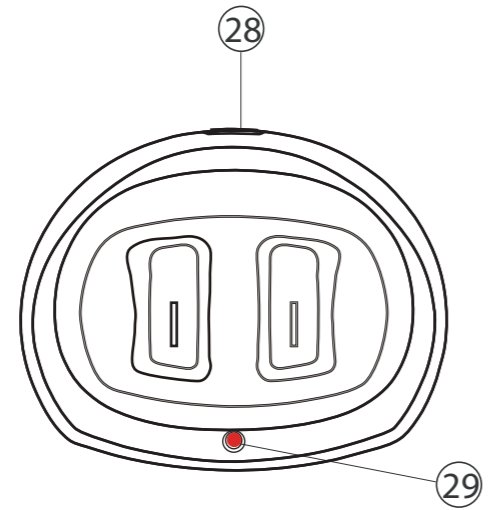


Illustration 2



Illustration 3



1 Introduction

Thank you for purchasing the Twintalker 9500. It's a long range, low powered radio communication device with a range of maximum 10 Km. It has no running costs other than the minimal cost of re-charging the batteries. The Twintalker operates on 8 channels.

2 Intended purpose

It can be used for recreational purposes. For example: to keep in contact during travelling with 2 or more cars, biking, skiing. It can be used to keep in contact with your children when they are playing outside, etc...

3 CE Mark

The CE symbol on the unit, user guide and giftbox indicates that the unit complies with the essential requirements of the R&TTE directive 1995/5/EC.

4 Safety instructions

4.1 General

Please read carefully through the following information concerning safety and proper use. Make yourself familiar with all functions of the device. Keep this manual in a safe place for future use.

4.2 Burning injuries

- If the cover of the antenna is damaged, do not touch because when an antenna comes in contact with the skin, a minor burn may result when transmitting.
- Batteries can cause property damage such as burns if conductive material such as jewellery, keys or beaded chains touches exposed terminals. The material may complete an electrical circuit (short circuit) and become quite hot. Exercise care in handling any charged battery, particularly when placing it inside a pocket, purse or other container with metal objects.

4.3 Injuries

- Do not place your device in the area over an air bag or in the air bag deployment area. Air bags inflate with great force. If a PMR is placed in the bag deployment area and the air bag inflates, the communicator may be propelled with great force and cause serious injury to the occupants of the vehicle.
- Keep the PMR at least 15 centimetres away from a pacemaker.
- Turn your PMR OFF as soon as interference is taking place with medical equipment.

4.4 Danger of explosion

- Do not replace batteries in a potentially explosive atmosphere. Contact sparking may occur while installing or removing batteries and cause an explosion.
- Turn your PMR off when in any area with a potentially explosive atmosphere. Sparks in such areas could cause an explosion or fire resulting in bodily injury or even death.
- Never throw batteries in fire as they may explode.



Areas with potentially explosive atmospheres are often, but not always, clearly marked. They include fuelling areas such as below deck on boats, fuel or chemical transfer or storage facilities; areas where the air contains chemicals or particles, such as grain, dust or metal powders; and any other area where you would normally be advised to turn off your vehicle engine.

4.5 Poisoning danger

- Keep batteries away from small children.

4.6 Legal

- In some countries it is prohibited to use your PMR while driving a vehicle. In this case leave the road before using the device.
- Turn your PMR OFF when on board an aircraft when instructed to do so. Any use of the PMR must be in accordance with airline regulations or crew instructions.
- Turn your PMR OFF in any facilities where posted notices instruct you to do so. Hospitals or health care facilities may be using equipment that is sensitive to external RF energy.
- Replacing or modifying the antenna may affect the PMR radio specifications and violate the CE regulations. Unauthorised antennas could also damage the radio.

4.7 Notes

- Do not touch the antenna while transmitting, it could affect the range.
- Remove the batteries if the device is not going to be used for a long period.

5 Cleaning and maintenance

- To clean the unit, wipe with a soft cloth dampened with water. Don't use a cleaner or solvents on the unit; they can damage the case and leak inside, causing permanent damage.
- Battery contacts may be wiped with a dry lint-free cloth.
- If the unit gets wet, turn it off and remove the batteries immediately. Dry the battery compartment with a soft cloth to minimize potential water damage. Leave the cover off the battery compartment overnight or until completely dry. Do not use the unit until completely dry.

6 Disposal of the device (environment)



At the end of the product lifecycle, you should not throw this product into the normal household garbage but bring the product to a collection point for the recycling of electrical and electronic equipments. The symbol on the product, user guide and/or box indicate this.

Some of the product materials can be re-used if you bring them to a recycling point. By re-using some parts or raw materials from used products you make an important contribution to the protection of the environment. Please contact your local authorities in case you need more information on the collection points in your area.

7 Using a PMR device

To communicate between PMR devices they need to be set all on the same channel and CTCSS/DCS code (see chapter “13.7 CTCSS (Continuous Tone Coded Squelch System) / DCS (Digital Coded Squelch)” and within receiving range (up to max. 10 km in open field). Since these devices use free frequency bands (channels), all devices in operation share these channels (total 8 channels). Therefore, privacy is not guaranteed. Anybody with a PMR set to your channel can overhear the conversation. If you want to communicate (transmitting a voice signal) you need to press the PTT-button (12).

Once this button pressed, the device will go into transmit mode and you can speak into the microphone. All other PMR devices in range, on the same channel and in standby mode (not transmitting) will hear your message. You need to wait until the other party stops transmitting before you can reply to the message. At the end of each transmission the unit will send a beep if the Roger Beep is enable (see chapter “13.12 Roger Beep On/Off”). To reply, just press the PTT-button (12) and speak into the microphone.



If 2 or more users press the PTT - button (12) at the same time the receiver will receive only the strongest signal and the other signal(s) will be suppressed. Therefore you should only transmit a signal (press PTT - button (12) when the channel is free.



The range of radio waves is strongly affected by obstacles such as buildings, concrete/metal structures, the unevenness of the landscape, woodland, plants, ... This implies that the range between two or more PMR's may in some extreme cases be restricted to a maximum of a few tens of meters. You will soon notice that PMR works best when there is a minimum of obstacles between users.

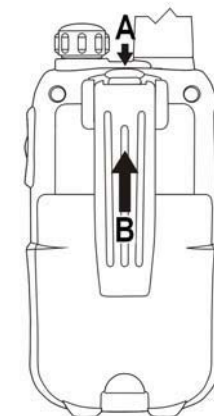
8 Included in the package

- 2 x Twintalker 9500
- 2 x Desktop Charger
- 2 x Power adapter
- 8 x AAA NiMh batteries
- User guide
- Card with service address and Hotline

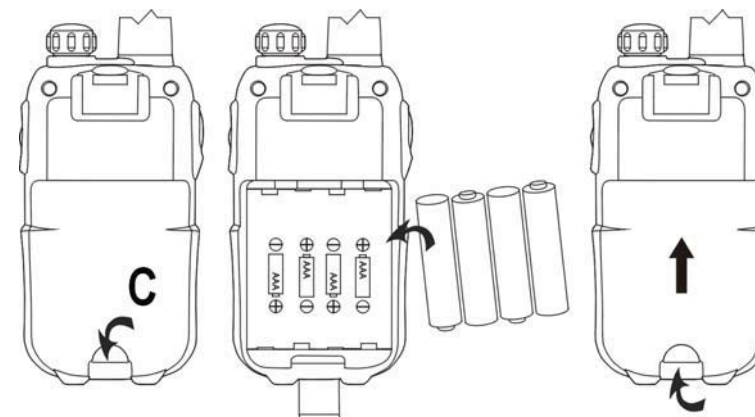
9 Getting started

9.1 Installing/Removing the Belt Clip

1. To remove the belt clip from the unit, push the belt clip (B) towards the antenna, while pulling the clip tab (A).
2. When re-installing the belt clip, a click indicates the belt clip is locked into position



9.2 Battery Installation



1. Remove the belt clip (see chapter “9.1 Installing/Removing the Belt Clip”)
2. Lift the battery door by gently pushing the door clip (C) using your finger nail.
3. Install the NiMh batteries. Make sure that the polarity of the NiMh batteries is correct.
4. Close the battery door.
5. Re-install the belt clip

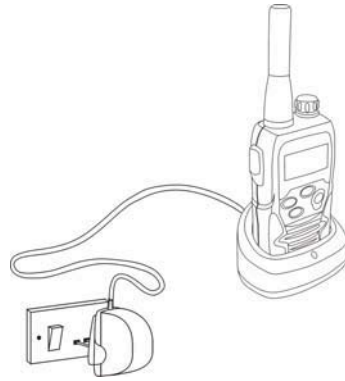
10 Charging the batteries

There are two ways to charge the battery of the PMR's :

10.1 Using the desktop charger

The desktop charger provides drop-in charging convenience.

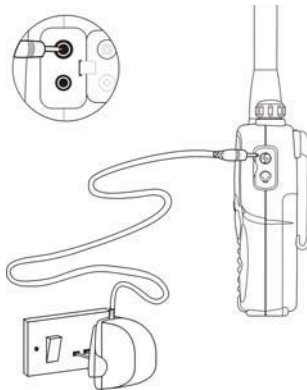
1. Put the desktop charger on a flat surface.
2. Plug one end of the supplied adapter into an easy accessible electric socket and the other end into the connector on the backside of the desktop charger (28). (See folded cover page - illustration 3)
3. Put the radio in the charger as indicated.
4. The charging LED (29) will turn on if it's properly inserted and charging. (See folded cover page - illustration 3)



10.2 Connecting the power adapter directly to the PMR

1. Connect the connector of the power adapter directly to the charger connection (3) of the PMR.

It will take about 8 to 10 hours to fully charge the batteries



Do not press the PTT -Button (12) of the PMR's while they are charging !



**Do not short-circuit the batteries or dispose in fire. Remove the batteries if this device is not going to be used for a long period.
Do not charge non rechargeable batteries like Alkaline batteries in the charger. This might damage the PMR's and charger unit.**

11 Description

See folded cover page - illustration 1

1. ON/OFF Volume knob
2. LCD display
3. Charger connection
4. Headset connection
5. TX LED (on when transmitting)
6. Call button
7. Menu button
 - Enter the menu settings
8. Microphone
9. Speaker
10. Down button
 - Select previous value in the menu
11. Up button
 - Select next value in the menu
12. PTT-button
13. Antenna

See folded cover page - illustration 3

28. Charger connection
29. Charger LED (on when charging)

12 LCD display information

See folded cover page - illustration 2

14. CTCSS indication
15. DCS indication
16. CTCSS/DCS value
17. Frequency indication in MHz
18. MHz indication
19. Keypad lock icon
20. Call receive type indication
21. Battery level indication
22. Channel number
23. RX icon
 - Displayed when receiving
24. TX icon
 - Displayed when transmitting
25. VOX indication
26. Scanning indication
27. Dual channel mode (DCM) indication

13 Using the Twintalker 9500



The display illustrations in next pages only show the icons or display informations of the functions that are explained in the text.

13.1 Switching On/Off the PMR radio



- Turn the “On-Off/Volume Knob” ① clockwise. A clicking sound will indicate that the PMR radio is switched on.
- Turn the “On-Off/Volume Knob” ① fully counter clockwise. The clicking sound will indicate that the PMR radio is switched off.

13.2 Battery Charge Level/Low Battery Indication

The battery charge level is indicated by the number of squares present inside the battery icon on the LCD Screen.



- Battery Full
- Battery 2/3 charged
- Battery 1/3 charged
- Battery empty

When the battery charge level is low, the battery icon will flash and a beep will be heard to indicate that the batteries need to be replaced or recharged.

13.3 Adjusting Speaker Volume

- Turn the “On-Off/Volume Knob” ① clockwise to increase the speaker volume.
- Turn counter-clockwise to lower the volume.

13.4 Receiving a Signal

The unit is continuously in the receive mode when the unit is switched ON and not transmitting.



In order for other people to receive your transmission, they must also be on the same channel and have set the same CTCSS code or DCS code. (See chapter “13.6 Changing Channels” and “13.7 CTCSS (Continuous Tone Coded Squelch System) / DCS (Digital Coded Squelch)”.
Either CTCSS or DCS can be used but never both at the same time.

13.5 Transmitting a Signal



- Press and hold the PTT - button ⑫ to transmit. The TX symbol is displayed.
- Hold the unit in a vertical position with the microphone 10cm from the mouth and speak into the microphone.
- Release the PTT - button ⑫ when you want to stop transmitting.



To check the channel activity use the monitor function (See chapter “13.8 Monitor”).

13.6 Changing Channels



- Press the ⇄ -button ⑦ once, the current channel number flashes on the display.
- Press the ▲ - button ⑪ or the ▼ - button ⑩ to change the channel.
- Press the PTT - button ⑫ to confirm and return to stand-by mode.



If no button is pressed within 5 seconds during setting, the unit will return to standby.

13.7 CTCSS (Continuous Tone Coded Squelch System) / DCS (Digital Coded Squelch)

License free PMR radio's operating on the 446 MHz frequency band, like the Twintalker 9500 PMR, have 8 available radio channels. If there are many PMR users in your neighborhood, there is a chance that some of these users are operating on the same radio channel.

To prevent that you receive signals from other users, sub-channels have been integrated.

Two PMR radio's will only be able to communicate with each other when they are operating on the same radio channel and when they have selected exactly the same sub-channel.

There are two kind of sub-channels :

- Continuous Tone Coded Squelch System (CTCSS)
- Digital Coded Squelch (DCS)

When using CTCSS, a low frequency tone (between 67 and 250 Hz) will be transmitted along with the voice signal. There are 38 available tones to choose from. You are free to choose one of these 38 available tones. Due to filtering, these tones will generally not be audible so they will not disturb the communication.

DCS is similar to CTCSS, but instead of sending a continuous tone of a selected frequency, a digital data transmission is added to the radio signal. This Digital Code is transmitted at a really low rate, around 134 bits per second (the code is 23 bits long). Only the PMR's of the latest generation will support DCS. There are 83 available DCS codes that can be used. Since earlier models will only support CTCSS it will be better to use DCS to prevent that other users will be audible during your PMR conversations.

13.7.1 CTCSS



- Press the ↵ -button (7) twice : **"CTCSS"** and the current CTCSS code flashes on the display.
- Press the ▲ -button (11) or the ▼ -button (10) to change to another code.
- Press the PTT -button (12) to confirm and return to stand-by mode.

13.7.2 DCS



- Press the ↵ -button (7) three times : **"DCS"** and the current DCS code flashes on the display.
- Press the ▲ -button (11) or the ▼ -button (10) to change to another code.
- Press the PTT -button (12) to confirm and return to stand-by mode.



To disable CTCSS or DCS, select code "00" for CTCSS or for DCS in the menu. When the entry is confirmed, "OF" will be displayed.

13.8 Monitor

You can use the monitor feature to check for weaker signals in the current channel.

- Press the ↵ -button (7) and ▼ -button (10) simultaneously to activate channel monitoring.
- Press the ↵ -button (7) to stop channel monitoring.



During channel monitoring the receiver circuit in the PMR will not listen to CTCSS or DCS codes.

13.9 VOX Selection

The PMR is capable of voice activated (VOX) transmission. In VOX mode, the radio will transmit a signal when it is activated by your voice or other sound around you. VOX operation is not recommended if you plan to use your radio in a noisy or windy environment.



VOX mode will be overridden when you press the PTT - button (12) .



- Press the ↵ - button (7) four times, the current VOX setting flashes on the display and the VOX icon is displayed.
- Press the ▲ -button (11) to set the VOX sensitivity level between 1 and 3 (level 3 is the most sensitive level).
- Press the ▼ button (10) until 'OFF' appears on the display, to turn VOX OFF.
- Press the PTT - button (12) to confirm and return to stand-by mode.

13.10 Channel Scan

Channel scan performs searches for active signals in an endless loop from channel 1 to 8. Once an active channel is found you have the option to search for the CTCSS code or the DCS code that is set by the user who is broadcasting on the channel.

13.10.1 Scanning for an active radio channel



- Press the ↵ -button (7) five times : **"SCAN"** and the current channel flashes on the display.
- Press the ▲ -button (11) or the ▼ -button (10) to start the channel scan.

Once an active channel is found, the scanning will stop and you can listen to the transmission. When the transmission on the found channel stops, the scanning will resume automatically.



If you press the PTT button (12) while listening to a found channel, the PMR will go back in stand-by mode on the found channel.

13.10.2 Scanning for a CTCSS code

When an active channel is found press the PTT button (12) to select the found active channel. Now you have to option to search for the CTCSS/DCS code that is used by the found user.



- Press the ↵ -button (7) six times : **"SCAN"** and **"CTCSS 00"** flashes on the display for the selected radio channel.
- Press the ▲ -button (11) or the ▼ -button (10) to start the CTCSS scan.

Once there is a transmission on the channel, the CTCSS code (if used) will be detected and displayed.



- If you press the PTT button (12) while listening to a found CTCSS code, the PMR will go back in stand-by mode on the channel with the CTCSS code.
- If no CTCSS code is detected there is a chance that DCS is selected by the user. In this case you can scan for the DCS code. (section 13.10.3)

13.10.3 Scanning for a DCS code



- Press the ↵-button (7) seven times: "SCAN" and "DCS 00" flashes on the display for the selected radio channel.
- Press the ▲-button (11) or the ▼-button (10) to start the DCS scan.

Once there is a transmission on the channel, the DCS code (if used) will be detected and displayed.



If you press the PTT button (12) while listening to a found DCS code, the PMR will go back in stand-by mode on the channel with the DCS code.

13.11 Call Tones

A call tone alerts others that you want to start talking.

13.11.1 Setting the Call Tone

The Twintalker 9500 has 15 call tones.



- Press the ↵-button (7) eight times, "C" is displayed and the current call tone is flashing.
- Press the ▲-button (11) or the ▼-button (10) to change to another Call Tone.
- Press the PTT - button (12) to confirm and return to stand-by mode.

13.11.2 Sending a call Tone

Press the •)) button (6) briefly. The call tone will be transmitted on the set channel.

13.11.3 Call tone reception type

- Press the ↵-button (7) nine times.
- Press the ▲-button (11) or ▼-button (10) to select the call tone reception type.
 1. Tone only ▲
 2. Tone + vibration (▲)
 3. Vibration only ()

Press the PTT-button (12) to confirm and return to stand-by mode.

13.12 Roger Beep On/Off

After the PTT-button (12) is released, the unit will send out a roger beep to confirm that you have stopped talking.



To set the Roger Beep.

- Press the ↵-button (7) ten times. 'r0' will be displayed.
- Press ▲ button (11) to enable (ON) or ▼ button (10) to disable the Roger-Beep (OFF).
- Press the PTT - button (12) to confirm your selection and return to the standby mode.

13.13 Key-Tone On/Off

When a button is pressed, the unit will beep briefly.



To set the key-tone.

- Press ↵ button (7) eleven times. 't0' will be displayed.
- Press ▲ button (11) to enable (ON) or ▼ button (10) to disable the Key Tones (OFF).
- Press the PTT - button (12) to confirm your selection and return to the standby mode.

13.14 Dual Channel Monitor function

In stand-by, the PMR is set on one channel with CTCSS/DCS code. The PMR will only receive signals transmitted on that channel with the CTCSS/DCS code.

Dual Channel Monitor (DCM) allows you to monitor a second channel with CTCSS/DCS code.



- Press the ↵-button (7) twelve times, "DCM OFF" will flash on the display.
- Press the ▲-button (11) or the ▼-button (10) to change the channel.
- Press the ↵-button (7) to confirm the channel selection and go to CTCSS selection. (Press the ↵-button (7) again to go to DCS selection)
- Press the ▲-button (11) or the ▼-button (10) to change the CTCSS code or DCS code.
- Press the PTT-button (12) to confirm and return to stand-by mode.
- To disable the function select "OFF" when selecting the DCM channel.

When the Dual Channel Monitor function is activated, the PMR will switch sequentially between the standby channel + CTCSS/DCS code and the Dual Channel + CTCSS/DCS code.

13.15 Button Lock



- Press and hold the ↔ -button (7) for three seconds to activate the Button lock mode. The button lock icon is displayed on the LCD Screen.
- Press and hold the ↔ -button (7) again for three seconds deactivate button lock

The PTT -button (12), the ⏏ -button (6) and the ⏏ -button (1) will still be functional when the Button Lock is activated.

13.16 Display back light

To activate the backlight of the LCD display, press any button except the PTT - button (12) or the ⏏ button (6).
The LCD backlight will light up for 6 seconds.

14 Earpiece connection

The connector is located on the upper side of the unit (2).
Insert the earpiece plug into the connector (2,5mm jack).
The small button on the earpiece has the same function as the PTT - button (12) on the unit
When you use the PTT - button (12) from the Earpiece, you must also use the microphone from the earpiece to talk into.

Do not connect other earpieces. This may damage your device.

15 Troubleshooting

No power	Clean the battery contacts with a soft cloth. Replace the batteries.
No transmission	Make sure the PTT - button (12) is pressed completely before you speak. Monitor the channel activity and switch to another channel if the current is used.
No reception	Check the speaker volume. Make sure that you are in the reception range of the sender and change if necessary your location.
Limited Range and noise during transmission	The talking range depends on the terrain. Steep constructions, concrete buildings or the use in vehicles have a bad influence on the range. Try to avoid as many obstacles as possible and communicate in a clear line of sight. Change your locations.
Interference	The receiver and transmitter are too close. The minimum distance between 2 units is 1,5m.

16 Technical specifications

Channels	8
Sub-code	CTCSS 38 / DCS 83
Frequency	446.00625MHz - 446.09375 MHz
Range	Up to 10 Km (Open field)
Battery	Li-ion 3.7V rechargeable
Transmission Power	=< 500mW ERP
Modulation Type	FM - F3E
Channel spacing	12,5 kHz
Duo Charger adapter	Input : 230V AC / 50Hz - Output : 7,5 V DC / 750mA

Channel Frequency Chart:		CTCSS Code Chart							
Channel	Frequency (MHz)	Code	Frequency (Hz)	Code	Freq. (Hz)	Code	Freq. (Hz)	Code	Freq. (Hz)
1	446,00625	0	Disabled	10	94,8	20	131,8	30	186,2
2	446,01875	1	67,0	11	97,4	21	136,5	31	192,8
3	446,03125	2	71,9	12	100,0	22	141,3	32	203,5
4	446,04375	3	74,4	13	103,5	23	146,2	33	210,7
5	446,05625	4	77,0	14	107,2	24	151,4	34	218,1
6	446,06875	5	79,7	15	110,9	25	156,7	35	225,7
7	446,08125	6	82,5	16	114,8	26	162,2	36	233,6
8	446,09375	7	85,4	17	118,8	27	167,9	37	241,8
		8	88,5	18	123,0	28	173,8	38	250,3
		9	91,5	19	127,3	29	179,9		

DCS Code Chart							
No	DCS code	No	DCS code	No	DCS code	No	DCS code
0	Disabled	21	134	42	311	63	516
1	23	22	143	43	315	64	532
2	25	23	152	44	331	65	546
3	26	24	155	45	343	66	565
4	31	25	156	46	346	67	606
5	32	26	162	47	351	68	612
6	43	27	165	48	364	69	624
7	47	28	172	49	365	70	627
8	51	29	174	50	371	71	631
9	54	30	205	51	411	72	632
10	65	31	223	52	412	73	654
11	71	32	226	53	413	74	662
12	72	33	243	54	423	75	664
13	73	34	244	55	431	76	703
14	74	35	245	56	432	77	712
15	114	36	251	57	445	78	723
16	115	37	261	58	464	79	731
17	116	38	263	59	465	80	732
18	125	39	265	60	466	81	734
19	131	40	271	61	503	82	743
20	132	41	306	62	506	83	754

17 Warranty

17.1 Warranty period

The devices have a 24-month warranty period. The warranty period starts on the day the new unit is purchased. There is no warranty on standard or rechargeable batteries (AA/AAA type). Consumables or defects causing a negligible effect on operation or value of the equipment are not covered. The warranty has to be proven by presentation of the original or copy of the purchase receipt, on which the date of purchase and the unit-model are indicated.

17.2 Warranty handling

A faulty unit needs to be returned to an authorized service centre including a valid purchase note and a filled in service card. If the unit develops a fault during the warranty period, the service centre will repair any defects caused by material or manufacturing faults free of charge, by either repairing or exchanging the faulty units or parts of the faulty units. In case of replacement, colour and model can be different from the original purchased unit.

The initial purchase date shall determine the start of the warranty period. The warranty period is not extended if the unit is exchanged or repaired by the service centre.

17.3 Warranty exclusions

Damage or defects caused by incorrect treatment or operation and damage resulting from use of non-original parts or accessories are not covered by the warranty.

The warranty does not cover damage caused by outside factors, such as lightning, water and fire, nor any damage caused during transportation. No warranty can be claimed if the serial number on the units has been changed, removed or rendered illegible. Any warranty claims will be invalid if the unit has been repaired, altered or modified by the buyer

1 Inleiding

Hartelijk dank voor de aankoop van de Twintalker 9500. Dit is een toestel voor radiocommunicatie over een lange afstand en op laag vermogen met een bereik van maximaal 10 km. Het heeft geen andere gebruikskosten dan de minimale kosten van het opladen van de batterijen. De Twintalker werkt met 8 kanalen.

2 Gebruiksdoel

Het kan worden gebruikt voor verschillende recreatieve doeleinden. Bijvoorbeeld: om contact te houden wanneer u op reis bent in 2 of meer voertuigen of tijdens het fietsen of skieën. Ook kunt u hiermee contact houden met uw kinderen, bv. wanneer zij buiten spelen.

3 CE-markering

De CE-markering op het toestel, de handleiding en de verpakking geeft aan dat het toestel voldoet aan de basiseisen van de R&TTE-richtlijn 1995/5/EG.

4 Veiligheidsinstructies

4.1 Algemeen

Lees de volgende informatie over de veiligheid en een correct gebruik zorgvuldig door. Stel u op de hoogte van alle functies van het toestel. Bewaar deze handleiding op een veilige plaats voor later gebruik.

4.2 Brandwonden

- Raak de antenne niet aan als de afdekking van de antenne is beschadigd, want als een antenne in contact komt met de huid bij het zenden, kan dit leiden tot kleine brandwonden.
- Batterijen kunnen schade aan materiaal veroorzaken, bijvoorbeeld brandplekken, als geleidend materiaal (zoals sieraden, sleutels of kralenkettingen) in aanraking komt met de blootliggende contacten. Het materiaal kan een elektrisch circuit sluiten (kortsluiting) en erg heet worden. Hanteer opgeladen batterijen met zorg, vooral als u deze in een zak, tas of andere houder met metalen voorwerpen plaatst.

4.3 Letsel

- Plaats het toestel niet boven een airbag of in de buurt waar de airbag zich opblaast. Airbags worden met veel kracht opgeblazen. Als een PMR zich bevindt in de radius van de airbag op het moment dat deze wordt geactiveerd, kan het toestel met grote kracht worden weggeslingerd en de inzittenden van het voertuig ernstig verwonden.
- Houd de PMR ten minste 15 centimeter verwijderd van een pacemaker.
- Schakel uw PMR onmiddellijk UIT in geval van interferentie met medische apparatuur.

4.4 Explosiegevaar

- Vervang de batterijen niet in een omgeving waar explosiegevaar bestaat. Bij het installeren of verwijderen van de batterijen kunnen contactvonken ontstaan, die een explosie kunnen veroorzaken.
- Schakel uw PMR uit wanneer u zich bevindt in een omgeving waar explosiegevaar bestaat. Vonken kunnen in een dergelijke omgeving brand of een explosie veroorzaken, met lichamelijk letsel of zelfs de dood tot gevolg.
- Werp batterijen nooit in vuur, aangezien ze dan kunnen ontploffen.



Omgevingen waar explosiegevaar bestaat zijn vaak, maar niet altijd, duidelijk aangegeven. Hieronder vallen brandstoftankruimtes, zoals onderdeks op schepen, overslag- of opslagplaatsen voor brandstof of chemicaliën; omgevingen waar de lucht chemicaliën of deeltjes bevat, zoals graan, stof of metaaldeeltjes; en elke andere omgeving waar u gewoonlijk wordt geadviseerd de motor van uw voertuig uit te schakelen.

4.5 Vergiftigingsgevaar

- Houd batterijen uit de buurt van kleine kinderen.

4.6 Regelgeving

- In bepaalde landen is het verboden om onder het rijden uw PMR te gebruiken. Ga in dit geval aan de kant staan voordat u het toestel gebruikt.
- Schakel uw PMR UIT aan boord van een vliegtuig wanneer u hierom wordt verzocht. Gebruik van de PMR dient in overeenstemming te zijn met de voorschriften van de luchtvaartmaatschappij of de instructies van de bemanning.
- Schakel uw PMR UIT op plaatsen waar waarschuwingsbordjes u vragen dit te doen. Ziekenhuizen of gezondheidscentra kunnen apparaten gebruiken die gevoelig zijn voor van buitenaf komende radiofrequentie-signalen.
- Het vervangen of wijzigen van de antenne kan de PMR-radiospecificaties beïnvloeden en inbreuk maken op de CE-voorschriften. Niet-goedgekeurde antennes kunnen ook de radio beschadigen.

4.7 Opmerkingen

- Raak de antenne niet aan tijdens het zenden; dit kan het bereik beïnvloeden.
- Verwijder de batterijen als u het toestel langere tijd niet gebruikt.

5 Reiniging en onderhoud

- Reinig het toestel met een vochtige doek. Gebruik hiervoor alleen water. Gebruik geen reinigings- of oplosmiddelen op het toestel; deze kunnen de behuizing beschadigen en naar binnen lekken, wat kan leiden tot blijvende beschadigingen.
- Gebruik een droge, pluisvrije doek om de batterijcontacten te reinigen.
- Schakel het toestel direct uit en verwijder de batterijen wanneer het toestel nat is geworden. Droog het batterijvak met een zachte doek om mogelijke waterschade tot een minimum te beperken. Laat het afdekklaasje van het batterijvak een nacht lang open of totdat het volledig droog is. Gebruik het toestel niet voordat dit volledig droog is.

6 Afvoeren van het toestel (milieu)



Op het einde van de levenscyclus van het product mag u dit product niet met het normale huishoudelijke afval weggooien, maar moet u het naar een inzamelpunt brengen voor de recyclage van elektrische en elektronische apparatuur. Dit wordt aangeduid door het symbool op het product, in de handleiding en/of op de verpakking.

Sommige materialen van het product kunnen worden hergebruikt als u ze naar een inzamelpunt brengt. Door onderdelen of grondstoffen van gebruikte producten te hergebruiken, levert u een belangrijke bijdrage aan de bescherming van het milieu. Wend u tot uw plaatselijke overheid voor meer informatie over de inzamelpunten in uw buurt.

7 Een PMR-toestel gebruiken

Om met andere PMR-toestellen te kunnen communiceren, dienen deze allemaal op hetzelfde kanaal en dezelfde CTCSS-/DCS-code (zie hoofdstuk "13.7 CTCSS (Continuous Tone Coded Squelch System) / DCS (Digital Coded Squelch)") te zijn afgestemd en zich binnen het ontvangstbereik te bevinden (tot max. 10 km in open veld). Aangezien deze toestellen vrij toegankelijke frequentiebanden gebruiken (kanalen), delen alle werkende toestellen dezelfde kanalen (8 kanalen in totaal). Privacy is daarom niet gegarandeerd. Iedereen met een PMR die op uw kanaal is afgestemd, kan het gesprek afluisteren. Als u wilt communiceren (een spraaksignaal uitzenden), drukt u op de PTT-toets **12**. Zodra deze toets wordt ingedrukt, wordt de zend-modus van het toestel ingeschakeld en kunt u in de microfoon spreken. Alle andere PMR-toestellen binnen het uitzendbereik, die op hetzelfde kanaal staan afgestemd en in de standby-modus (niet zenden) staan, kunnen uw bericht horen. U moet wachten totdat uw gesprekspartner stopt met zenden voordat u kunt antwoorden. Na het zenden zal het toestel een geluidssignaal laten horen als het Roger-signaal is ingeschakeld (zie hoofdstuk "13.12 Roger-pieptoon in-/uitschakelen"). U hoeft enkel de PTT-toets **12** in te drukken en in de microfoon te spreken om te antwoorden.



Als 2 of meer gebruikers de PTT-toets **12 tegelijkertijd indrukken, ontvangt de ontvanger enkel het sterkste signaal, waarbij alle andere signalen worden geblokkeerd. Zend daarom alleen uit (door op de PTT-toets **12** te drukken) als het kanaal vrij is.**



Het bereik van de radiogolven wordt sterk beïnvloed door obstakels als gebouwen, betonnen/metalen constructies, de onregelmatigheid van het landschap, bossen, planten ... Dat houdt in dat het bereik tussen twee of meerdere PMR's in sommige extreme gevallen tot een maximum van enkele tientallen meters beperkt kan zijn. U zult gauw merken dat de PMR het beste werkt wanneer er een minimum aan obstakels tussen de gebruikers is.

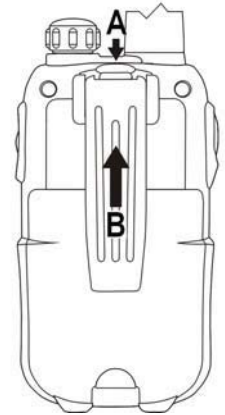
8 De verpakking bestaat uit

- 2 x Twintalker 9500
- 2 x bureaulader
- 2 x stroomadapter
- 8 x AAA NiMh-batterijen
- Gebruikshandleiding
- Kaart met onderhoudsadres en hotline

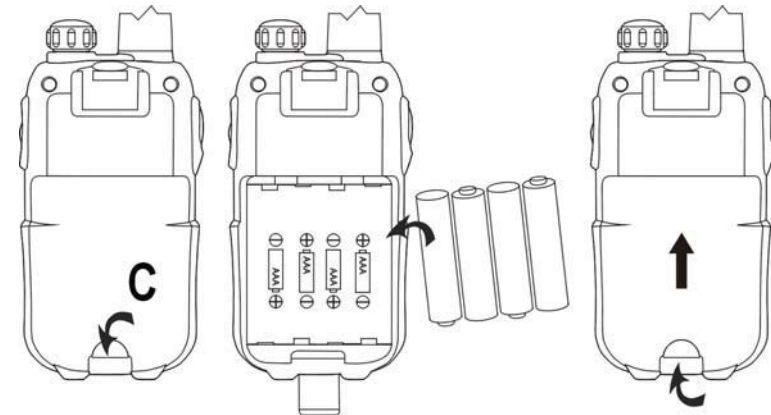
9 Van start gaan

9.1 De riemclip verwijderen/installeren

1. Druk de riemclip (B) in de richting van de antenne terwijl u het lipje van de clip (A) naar buiten trekt, om de riemclip van het toestel te verwijderen.
2. Bij het weer aanbrengen van de riemclip geeft een hoorbare klik aan dat de riemclip op zijn plaats is vergrendeld.



9.2 Batterijen plaatsen



1. Verwijder de riemclip (zie hoofdstuk "9.1 De riemclip verwijderen/installeren").
2. Til het batterijdeksel op door voorzichtig met uw vingernagel op de deurclip (C) te drukken.
3. Plaats de NiMh-batterijen. Zorg ervoor dat de polariteit van de NiMh-batterijen correct is.
4. Sluit het batterijvak.
5. Installeer de riemclip opnieuw.

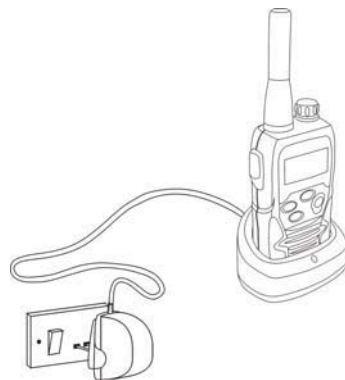
10 Batterijen opladen

De batterijen van de PMR's kunnen op twee manieren worden opgeladen:

10.1 De bureaulader gebruiken

Het toestel kan gemakkelijk worden opgeladen door het in de bureaulader te plaatsen.

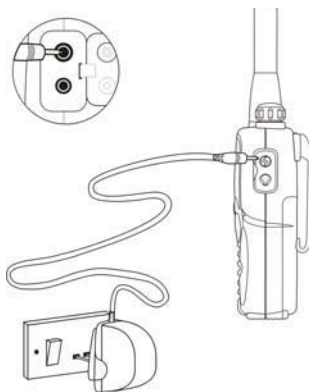
1. Plaats de bureaulader op een vlak oppervlak.
2. Steek een uiteinde van de meegeleverde adapter in een makkelijk bereikbaar stopcontact en het andere uiteinde in de aansluiting aan de achterkant van de bureaulader (28). (Zie flap van het voorblad - afbeelding 3).
3. Plaats de radio in de lader zoals aangegeven.
4. De laad-LED (29) gaat branden als het toestel juist is geplaatst en aan het laden is. (Zie flap van het voorblad - afbeelding 3)



10.2 De stroomadapter rechtstreeks op de PMR aansluiten

1. Sluit de aansluiting van de stroomadapter rechtstreeks op de ingangen voor de lader (3) van de PMR aan.

Het volledig laden van de batterijen duurt ongeveer 8 tot 10 uur.



Druk tijdens het laden niet op de PTT -toets (12) van de PMR's!



**Sluit de batterij niet kort en gooi ze nooit in het vuur. Verwijder de batterijen wanneer u het toestel langere tijd niet gebruikt.
Laad nooit niet-oplaadbare batterijen zoals alkalinebatterijen in de lader op.
Dat kan de PMR's en lader schade toebrengen.**

11 Omschrijving

Zie flap van het voorblad - afbeelding 1

1. AAN-UIT/Volumetoets
2. LCD-display
3. Verbinding met lader
4. Aansluiting koptelefoon
5. TX LED (aan tijdens het zenden)
6. Oproep-toets
7. Menu-toets
 - Selecteer de menu-instellingen
8. Microfoon
9. Luidspreker
10. Toets Omlaag ▼
 - Selecteer het vorige menuonderdeel
11. Toets Omhoog ▲
 - Selecteer het volgende menuonderdeel
12. PTT-toets
13. Antenne

Zie flap van het voorblad - afbeelding 3

28. Verbinding met lader
29. Lader-LED (aan tijdens het laden)

12 Informatie LCD-display

Zie flap van het voorblad - afbeelding 2

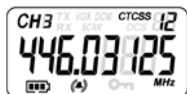
14. CTCSS-indicatie
15. DCS-indicatie
16. CTCSS/DCS-waarde
17. Indicatie frequentie in MHz
18. MHz-indicatie
19. Toetsenbordvergrendelingspictogram
20. Indicatie type ontvangen oproep
21. Indicatie batterijniveau
22. Kanaalnummer
23. RX-pictogram
 - Weergegeven bij ontvangst
24. TX-pictogram
 - Weergegeven bij verzending
25. VOX-indicatie
26. Indicatie scannen
27. Indicatie Dual Channel Mode (DCM)

13 De Twintalker 9500 gebruiken



De displayafbeeldingen op de volgende bladzijden tonen enkel de pictogrammen of informatie van de functies die in de tekst worden uitgelegd.

13.1 De PMR-radio in-/uitschakelen



- Draai de “Aan-Uit/Volumetoets” ① naar rechts. Een kliekgeluid geeft aan dat de PMR-radio is ingeschakeld.
- Draai de “Aan-Uit/Volumetoets” ① volledig naar links. Het kliekgeluid geeft aan dat de PMR-radio is uitgeschakeld.

13.2 Laadniveau batterijen/Indicatie batterij bijna leeg

Het laadniveau van de batterijen wordt aangegeven door het aantal vierkantjes in het batterij-pictogram op het LCD-scherm.



- Batterij vol
- Batterij 2/3 geladen
- Batterij 1/3 geladen
- Batterij leeg

Als het laadniveau van de batterij laag is, gaat het batterij-pictogram knipperen en zal het toestel piepen om aan te geven dat de batterijset moet worden opgeladen of vervangen.

13.3 Luidsprekervolume instellen

- Draai de “Aan-Uit/Volumetoets” ① naar rechts om het luidsprekervolume te verhogen.
- Draai naar links om het volume te verlagen.

13.4 Een signaal ontvangen

Het toestel is voortdurend in de ontvangst-modus wanneer het AAN staat en niet aan het zenden is.



Andere mensen die uw signaal willen ontvangen, moeten op hetzelfde kanaal zitten en dezelfde CTCSS-code of DCS-code hebben ingesteld als u. (Zie hoofdstuk “13.6 Van kanaal veranderen” en “13.7 CTCSS (Continuous Tone Coded Squelch System) / DCS (Digital Coded Squelch)”).

CTCSS en DCS kunnen enkel afzonderlijk en nooit samen worden gebruikt.

13.5 Een signaal zenden



- Houd de PTT-toets ⑫ ingedrukt om te zenden. Het TX-symbool wordt weergegeven.
- Houd het toestel verticaal met de microfoon op 10 cm afstand van uw mond en spreek in de microfoon.
- Laat de PTT-toets ⑫ los als u stopt met zenden.



Gebruik de monitorfunctie om de kanaalactiviteit te controleren (Zie hoofdstuk “13.8 Monitor”).

13.6 Van kanaal veranderen



- Druk eenmaal op de ⇨-toets ⑦, het huidige kanaalnummer knippert op de display.
- Druk op de ▲-toets ⑪ of op de ▼-toets ⑩ om van kanaal te veranderen.
- Druk op de PTT-toets ⑫ om te bevestigen en terug te keren naar de stand-bymodus.



Als er binnen 5 seconden geen toets ingedrukt wordt, keert het toestel terug naar de stand-bymodus.

13.7 CTCSS (Continuous Tone Coded Squelch System) / DCS (Digital Coded Squelch)

Licentievrije PMR-radio's die op de frequentieband 446 MHz werken, zoals de Twintalker 9500 PMR, hebben 8 beschikbare radiokanalen. Als er in uw buurt veel PMR-gebruikers zijn, bestaat de kans dat sommige van die gebruikers op hetzelfde radiokanaal zitten.

Om te voorkomen dat u signalen van andere gebruikers ontvangt, werden er subkanalen voorzien.

Twee PMR-radio's kunnen enkel met elkaar communiceren wanneer ze op hetzelfde radiokanaal zitten en wanneer ze precies hetzelfde subkanaal hebben geselecteerd.

Er zijn twee soorten subkanalen:

- Continuous Tone Coded Squelch System (CTCSS)
- Digital Coded Squelch (DCS)

Wanneer CTCSS wordt gebruikt, wordt er samen met het stemsignaal een toon met een lage frequentie (tussen 67 en 250 Hz) uitgezonden. Er kan uit 38 beschikbare tonen worden gekozen. U bent vrij om een van die 38 beschikbare tonen te kiezen. Door filtratie zijn die tonen over het algemeen niet hoorbaar, zodat ze de communicatie niet verstoren.

DCS is vergelijkbaar met CTCSS, maar in plaats van een continue toon van een geselecteerde frequentie te verzenden, wordt er aan het radiosignaal een digitale datatransmissie toegevoegd. Die digitale code wordt tegen een erg lage snelheid, ongeveer 134 bits per seconde, verzonden (de code is 23 bits lang). Enkel de laatste nieuwe PMR's zullen DCS ondersteunen. Er zijn 83 beschikbare DCS-codes die kunnen worden gebruikt. Aangezien eerdere modellen enkel CTCSS ondersteunen, kunt u beter DCS gebruiken om te voorkomen dat u tijdens uw PMR-gesprekken andere gebruikers hoort.

13.7.1 CTCSS



- Druk twee keer op de ⇨-toets (7) : "CTCSS" en de huidige CTCSS-code knippen op de display.
- Druk op de ▲-toets (11) of op de ▼-toets (10) om van code te veranderen.
- Druk op de PTT-toets (12) om te bevestigen en terug te keren naar de stand-bymodus.

13.7.2 DCS



- Druk driemaal op de ⇨-toets (7) : "DCS" en de huidige DCS-code knippen op de display.
- Druk op de ▲-toets (11) of op de ▼-toets (10) om van code te veranderen.
- Druk op de PTT-toets (12) om te bevestigen en terug te keren naar de stand-bymodus.



Om CTCSS of DCS uit te schakelen, kiest u code "00" voor CTCSS of voor DCS in het menu. Wanneer de invoer bevestigd is, verschijnt er "UIT".

13.8 Monitor

U kunt de monitorfunctie gebruiken om op het huidige kanaal te zoeken naar zwakkere signalen.

- Druk tegelijkertijd op de ⇨-toets (7) en ▼-toets (10) om de monitorfunctie in te schakelen.
- Druk de ⇨-toets (7) in om de monitorfunctie uit te schakelen.



In de monitorfunctie luistert het ontvangstcircuit in de PMR niet naar CTCSS- of DCS-codes.

13.9 VOX-selectie

De PMR is in staat spraakgestuurd (VOX) te zenden. In de VOX-modus zendt de radio een signaal uit als hij wordt geactiveerd door uw stem of een ander geluid in de omgeving. De VOX-modus wordt niet aangeraden als u van plan bent de radio in een lawaaierige of winderige omgeving te gebruiken.



De VOX-modus zal worden opgeheven als u op de PTT-toets (12) drukt.

- Druk viermaal op de ⇨-toets (7), de huidige VOX-instellingen knippen in de display en het VOX-pictogram wordt weergegeven.
- Druk op de ▲-toets (11) om het VOX-gevoelighedsniveau in te stellen tussen 1 en 3 (niveau 3 is het meest gevoelige niveau).
- Druk op de ▼-toets (10) totdat 'UIT' op de display verschijnt om VOX uit te schakelen.
- Druk op de PTT-toets (12) om te bevestigen en terug te keren naar de stand-bymodus.



13.10 Kanaalscan

De functie kanaalscan zoekt in een eindeloze lus naar actieve signalen op kanaal 1 tot 8. Zodra een actief kanaal wordt gevonden, kunt u de CTCSS-code of de DCS-code zoeken die werd ingesteld door de gebruiker die op het kanaal uitzendt.

13.10.1 Scannen naar een actief radiokanaal

- Druk vijfmaal op de ⇨-toets (7) : "SCAN" en het huidige kanaal knippen op de display.
- Druk op de ▲-toets (11) of de ▼-toets (10) om de kanaalscan te starten.



Zodra een actief kanaal wordt gevonden, wordt de scan stopgezet en kunt u naar de transmissie luisteren.

Wanneer de transmissie op het gevonden kanaal stopt, wordt de scan automatisch hervat.



Als u op de PTT-toets (12) drukt terwijl u naar een gevonden kanaal luistert, gaat de PMR terug naar de stand-bymodus op het gevonden kanaal.

13.10.2 Scannen naar een CTCSS-code

Wanneer er een actief kanaal wordt gevonden, drukt u op de PTT-toets (12) om het gevonden actieve kanaal te selecteren. Nu hebt u de mogelijkheid om de CTCSS-/DCS-code te zoeken die door de gevonden gebruiker wordt gebruikt.

- Druk zesmaal op de ⇨-toets (7) : "SCAN" en "CTCSS 00" knippen op de display voor het geselecteerde radiokanaal.
- Druk op de ▲-toets (11) of de ▼-toets (10) om de CTCSS-scan te starten.



Zodra er op het kanaal transmissie is, wordt de CTCSS-code (indien gebruikt) gedetecteerd en weergegeven.



- Als u op de PTT-toets ⑫ drukt terwijl u naar een gevonden CTCSS-code luistert, gaat de PMR terug naar de stand-bymodus op het kanaal met de CTCSS-code.
- Als er geen CTCSS-code wordt gedetecteerd, is het mogelijk dat DCS door de gebruiker werd geselecteerd. In dat geval kunt u naar de DCS-code scannen. (zie 13.10.3)

13.10.3 Scannen naar een DCS-code



- Druk zevenmaal op de ⇨-toets ⑦ : "SCAN" en "DCS 00" knipperen op de display voor het geselecteerde radiokanaal.
- Druk op de ▲-toets ⑪ of de ▼-toets ⑩ om de DCS-scan te starten.

Zodra er op het kanaal transmissie is, wordt de DCS-code (indien gebruikt) gedetecteerd en weergegeven.



Als u op de PTT-toets ⑫ drukt terwijl u naar een gevonden DCS-code luistert, gaat de PMR terug naar de stand-bymodus op het kanaal met de DCS-code.

13.11 Oproeptonen

Met een oproeptoon laat u anderen weten dat u wilt praten.

13.11.1 De oproeptoon instellen

De Twintalker 9500 is voorzien van 15 oproeptonen.



- Druk achtmaal op de ⇨-toets ⑦ , "C" wordt weergegeven en de huidige oproeptoon weerklinkt.
- Druk op de ▲-toets ⑪ of op de ▼-toets ⑩ om van oproeptoon te veranderen.
- Druk op de PTT-toets ⑫ om te bevestigen en terug te keren naar de stand-bymodus.

13.11.2 Een oproeptoon zenden

Druk kort op de ●-toets ⑥ . De oproeptoon wordt op het ingestelde kanaal uitgezonden.

13.11.3 Type oproeptoon bij ontvangst

- Druk negenmaal op de ⇨-toets ⑦ .
- Druk op de ▲-toets ⑪ of op de ▼-toets ⑩ om het type oproeptoon bij ontvangst te selecteren.
 1. Enkel toon 📢
 2. Toon + trilling 📢📢
 3. Enkel trilling 📢📢

Druk op de PTT-toets ⑫ om te bevestigen en terug te keren naar de stand-bymodus.

13.12 Roger-pieptoon in-/uitschakelen

Nadat u de PTT-toets ⑫ hebt losgelaten, zendt het toestel een Roger-pieptoon uit om te bevestigen dat u klaar bent met praten.



De Roger-pieptoon instellen.

- Druk tienmaal op de ⇨-toets ⑦ . 'rO' verschijnt op de display.
- Druk op de ▲-toets ⑪ om de Roger-pieptoon in te schakelen (ON) of op de ▼-toets ⑩ om de Roger-pieptoon uit te schakelen (OFF).
- Druk op de PTT-toets ⑫ om te bevestigen en terug te keren naar de stand-bymodus.

13.13 Toetstoon in-/uitschakelen

U hoort een korte pieptoon bij het indrukken van een toets.



Toetstoon instellen.

- Druk elfmaal op de ⇨-toets ⑦ . 'tO' verschijnt op de display.
- Druk op de ▲-toets ⑪ om de toetstoon in te schakelen (ON) of op de ▼-toets ⑩ om de toetstoon uit te schakelen (OFF).
- Druk op de PTT-toets ⑫ om te bevestigen en terug te keren naar de stand-bymodus.

13.14 Functie Dual Channel Monitor

In stand-by is de PMR ingesteld op één kanaal met een CTCSS-/DCS-code. De PMR ontvangt enkel signalen die op hetzelfde kanaal en met dezelfde CTCSS-/DCS-code worden verzonden. De functie Dual Channel Monitor (DCM) stelt u in staat een tweede kanaal met CTCSS-/DCS-code te monitoren.

- Druk twaalfmaal op de ⇨-toets ⑦ , "DCM OFF" knippert op de display.
- Druk op de ▲-toets ⑪ of op de ▼-toets ⑩ om van kanaal te veranderen.
- Druk op de ⇨-toets ⑦ om de kanaalkeuze te bevestigen en naar CTCSS-selectie te gaan. (Druk nogmaals op de ⇨-toets ⑦ om naar DCS-selectie te gaan)
- Druk op de ▲-toets ⑪ of op de ▼-toets ⑩ om de CTCSS-code of DCS-code te veranderen.
- Druk op de PTT-toets ⑫ om te bevestigen en terug te keren naar de stand-bymodus.
- Selecteer "OFF" bij het instellen van het DCM-kanaal om de functie uit te schakelen.



Als de functie Dual Channel Monitor is ingeschakeld, schakelt de PMR opeenvolgend tussen het stand-bykanaal + CTCSS-/DCS-code en het Dual Channel + CTCSS-/DCS-code.

13.15 Toetsvergrendeling



- Houd de ⇌-toets (7) gedurende drie seconden ingedrukt om de toetsvergrendelingsmodus in te schakelen. Het pictogram toetsvergrendeling verschijnt op het LCD-scherm.
- Druk opnieuw op de ⇌-toets (7) en houd deze gedurende drie seconden ingedrukt om de toetsvergrendeling uit te schakelen.



De PTT-toets (12), de •)))-toets (6) en de ⏻-toets (1) blijven werken wanneer de toetsvergrendeling is ingeschakeld.

13.16 Achtergrondverlichting display

Om de achtergrondverlichting van de LCD-display te activeren, drukt u op een willekeurige toets behalve op de PTT-toets (12) of de •)))-toets (6).

De LCD-achtergrondverlichting zal gedurende 6 seconden oplichten.

14 Aansluiten van een oortelefoon

De aansluiting bevindt zich op de bovenkant van het toestel (2).

Steek de juiste stekker in de aansluiting (2,5 mm stekkerbus).

De kleine toets op de oortelefoon heeft dezelfde functie als de PTT-toets (12) van het toestel. Bij gebruik van de PTT-toets (12) op de oortelefoon moet u ook de microfoon op de oortelefoon gebruiken..



Sluit geen andere oortelefoons aan. Dit kan uw toestel beschadigen.

15 Probleemoplossing

Geen stroom	Maak de contactpunten van de batterijen schoon met een zachte doek. Vervang de batterijen.
Geen verzending	Controleer of de PTT-toets (12) volledig is ingedrukt voordat u gaat praten. Controleer de kanaalactiviteit en schakel over naar een ander kanaal als het huidige kanaal wordt gebruikt.
Geen ontvangst	Controleer het luidsprekervolume. Controleer of u binnen bereik van de zender bent en ga desnoods op een andere plaats staan.
Beperkt bereik en ruis tijdens het verzenden.	Het praatbereik is afhankelijk van het terrein. Stalen constructies, betonnen gebouwen of gebruik in voertuigen kunnen een slecht bereik geven. Probeer zo veel mogelijk obstakels te vermijden en communiceer in een duidelijk gezichtsveld. Ga op een andere plaats staan.
Interferentie	De ontvanger en zender staan te dicht bij elkaar. De minimale afstand tussen 2 toestellen is 1,5 m.

16 Technische specificaties

Kanalen	8
Subcode	CTCSS 38 / DCS 83
Frequentie	446.00625 MHz – 446.09375 MHz
Bereik	Tot 10 km (open veld)
Batterij	Li-ion 3.7V herlaadbaar
Zendvermogen	=< 500 mW ERP
Modulatietype	FM - F3E
Kanaalscheiding	12,5 kHz
Dubbele laadadapter	Ingang: 230 V AC / 50 Hz - Uitgang: 7,5 V DC / 750 mA

Channel Frequency Chart:		CTCSS Code Chart							
Channel	Frequency (MHz)	Code	Frequency (Hz)	Code	Freq. (Hz)	Code	Freq. (Hz)	Code	Freq. (Hz)
1	446,00625	0	Disabled	10	94,8	20	131,8	30	186,2
2	446,01875	1	67,0	11	97,4	21	136,5	31	192,8
3	446,03125	2	71,9	12	100,0	22	141,3	32	203,5
4	446,04375	3	74,4	13	103,5	23	146,2	33	210,7
5	446,05625	4	77,0	14	107,2	24	151,4	34	218,1
6	446,06875	5	79,7	15	110,9	25	156,7	35	225,7
7	446,08125	6	82,5	16	114,8	26	162,2	36	233,6
8	446,09375	7	85,4	17	118,8	27	167,9	37	241,8
		8	88,5	18	123,0	28	173,8	38	250,3
		9	91,5	19	127,3	29	179,9		

DCS Code Chart							
No	DCS code	No	DCS code	No	DCS code	No	DCS code
0	Disabled	21	134	42	311	63	516
1	23	22	143	43	315	64	532
2	25	23	152	44	331	65	546
3	26	24	155	45	343	66	565
4	31	25	156	46	346	67	606
5	32	26	162	47	351	68	612
6	43	27	165	48	364	69	624
7	47	28	172	49	365	70	627
8	51	29	174	50	371	71	631
9	54	30	205	51	411	72	632
10	65	31	223	52	412	73	654
11	71	32	226	53	413	74	662
12	72	33	243	54	423	75	664
13	73	34	244	55	431	76	703
14	74	35	245	56	432	77	712
15	114	36	251	57	445	78	723
16	115	37	261	58	464	79	731
17	116	38	263	59	465	80	732
18	125	39	265	60	466	81	734
19	131	40	271	61	503	82	743
20	132	41	306	62	506	83	754

17 Topcom-garantie

17.1 Garantieperiode

Op de Topcom-toestellen wordt een garantie van 24 maanden verleend. De garantieperiode gaat in op de dag waarop het nieuwe toestel wordt gekocht. Er is geen garantie op standaard of oplaadbare batterijen (type AA/AAA). Kleine onderdelen of defecten die een verwaarloosbaar effect hebben op de werking of waarde van het toestel zijn niet gedekt door de garantie. De garantie moet worden bewezen door voorlegging van het originele aankoopbewijs of kopie waarop de datum van aankoop en het toesteltype staat.

17.2 Afwikkeling van garantieclaims

Een defect toestel moet, samen met een geldig aankoopbewijs en een ingevulde onderhoudskaart, worden teruggestuurd naar een Topcom-hersteldienst. Als het toestel tijdens de garantieperiode een defect vertoont, zal Topcom of diens officieel erkende hersteldienst eventuele defecten te wijten aan materiaal- of productiefouten gratis herstellen, door defecte toestellen of onderdelen van defecte toestellen ofwel te herstellen ofwel te vervangen. In het geval dat het toestel wordt vervangen, kan de kleur en het model verschillend zijn van het oorspronkelijk gekochte toestel. De oorspronkelijke aankoopdatum is bepalend voor het begin van de garantieperiode. De garantieperiode wordt niet verlengd als het toestel wordt vervangen of hersteld door Topcom of diens officieel erkende hersteldienst.

17.3 Garantiebeperkingen

Schade of defecten te wijten aan onoordeelkundig gebruik of bediening en schade te wijten aan het gebruik van niet-originele onderdelen of accessoires worden niet gedekt door de garantie. De garantie dekt geen schade te wijten aan externe factoren, zoals bliksem, water en brand, noch enige transportschade. Er kan geen garantie worden ingeroepen als het serienummer op het toestel is gewijzigd, verwijderd of onleesbaar gemaakt. Garantieclaims zijn ongeldig indien het toestel hersteld, gewijzigd of aangepast werd door de koper.

1 Introduction

Nous vous remercions d'avoir acheté le Twintalker 7100 Sports Pack. Il s'agit d'un appareil de communication radio de faible puissance avec une portée maximale de 10 km. Son coût de fonctionnement se limite au rechargement des batteries. Le Twintalker fonctionne sur 8 canaux.

2 Usage

Cet appareil s'utilise également dans le cadre personnel. Exemple : pour maintenir le contact lors d'un voyage à plusieurs voitures, au cours de randonnées en deux-roues ou en ski. Vous pouvez également l'utiliser pour communiquer avec vos enfants lorsqu'ils jouent dehors, etc.

3 Marque CE

Le symbole CE sur l'appareil, le guide d'utilisation et la boîte indique que l'appareil est conforme aux exigences essentielles de la directive R&TTE 1995/5/EC.

4 Instructions de sécurité

4.1 Généralités

Veuillez lire attentivement les informations suivantes concernant la sécurité et l'utilisation correcte. Familiarisez-vous avec toutes les fonctions de l'appareil. Conservez ce manuel dans un endroit sûr pour une utilisation ultérieure.

4.2 Brûlures

- Lorsqu'une antenne endommagée entre en contact avec la peau, il peut en résulter une légère brûlure en cas de transmission.
- Les piles peuvent causer des dommages et/ou des blessures telles que des brûlures si un matériau conducteur, tel que des bijoux, des clefs ou des chaînes à boulettes, touche des terminaux exposés. Le matériau peut compléter un circuit électrique (court-circuit) et devenir relativement chaud. Veuillez faire attention lors du maniement de piles chargées, particulièrement lorsque vous les placez dans une poche, un sac à mains ou tout autre chose avec des objets en métal..

4.3 Blessures

- Utilisation en voiture : Ne placez pas votre appareil dans une zone au-dessus d'un airbag ou dans le périmètre de déploiement d'un airbag. Les airbags se gonflent avec beaucoup de force. Si un communicateur est placé dans le périmètre de déploiement d'un airbag et que ce dernier se gonfle, il est possible que le communicateur soit projeté avec une grande force et qu'il occasionne de sérieuses blessures aux occupants du véhicule.
- Conservez la radio à au moins 15 centimètres d'un pacemaker.
- Éteignez votre radio dès qu'il y a des interférences avec des équipements médicaux.

4.4 Danger d'explosion

- Ne remplacez pas les piles dans une atmosphère potentiellement explosive. Des étincelles au niveau des contacts peuvent se produire lors de l'installation ou de l'enlèvement des piles et provoquer une explosion.
- Éteignez votre communicateur dans une atmosphère potentiellement explosive. Des étincelles dans de telles zones peuvent provoquer une explosion ou un incendie entraînant des blessures, voire même la mort.
- Ne jetez jamais de piles dans le feu, elles peuvent exploser.



Les zones présentant des atmosphères potentiellement explosives sont souvent, mais pas toujours, indiquées clairement. Elles incluent les zones de carburant telles que le pont inférieur des bateaux, les implantations de transfert ou de stockage de carburant ou de produits chimiques ; les zones où l'air contient des produits chimiques ou des particules telles que des grains, de la poussière ou des poudres métalliques ; et toute autre zone où l'on vous conseillerait normalement d'éteindre le moteur de votre véhicule.

4.5 Danger d'empoisonnement

- Conservez les piles hors de portée des petits enfants

4.6 Législation

- Dans certains pays, il est interdit d'utiliser votre PMR en conduisant un véhicule. Dans ce cas, quittez la route avant d'utiliser l'appareil.
- Mettez votre appareil en position OFF lorsque vous vous trouvez à bord d'un avion quand vous êtes invité à le faire. Toute utilisation de l'appareil doit se faire conformément aux réglementations aériennes ou aux instructions de l'équipage de bord.
- Éteignez l'appareil dans les lieux où des pancartes vous invitent à le faire. Les hôpitaux ou les centres de soins de santé utilisent des équipements sensibles à l'énergie RF externe.
- Remplacer ou modifier l'antenne peut affecter les spécifications radio du PMR et violer les règlements CE. Des antennes non autorisées peuvent également endommager la radio.

4.7 Notes

- Ne touchez pas l'antenne en cours de transmission, cela peut affecter la portée.
- Retirez les piles lorsque l'appareil n'est pas utilisé pendant une longue période.

5 Nettoyage et maintenance

- Pour nettoyer l'appareil, frottez avec un tissu doux humidifié avec de l'eau. N'utilisez pas un nettoyant ou des solvants sur l'unité ; ils peuvent endommager le boîtier et pénétrer à l'intérieur, entraînant des dommages permanents.
- Les contacts de la batterie peuvent être frottés avec un tissu sec sans peluches.
- Si l'appareil est mouillé, éteignez-le et enlevez les piles immédiatement. Séchez le compartiment à piles avec un tissu doux pour minimiser les dommages potentiels dus à l'eau. Laissez ouvert le couvercle du compartiment à piles pendant la nuit ou jusqu'à ce qu'il soit complètement sec. N'utilisez pas l'appareil jusqu'à ce qu'il soit complètement sec.

6 Recyclage de l'appareil (environnement)



Au terme du cycle de vie de ce produit, vous ne devez pas jeter le produit dans les déchets ménagers ordinaires mais le déposer dans un point de collecte pour le recyclage des équipements électriques et électroniques. Le symbole sur ce produit, guide d'utilisation et / ou l'emballage indique ceci.

Certains matériaux du produit peuvent être réutilisés si vous les déposez dans un point de recyclage. En réutilisant certaines pièces ou matières premières des produits usagés, vous apportez une contribution importante à la protection de l'environnement. Veuillez contacter vos autorités locales pour toute information supplémentaire sur les points de collecte dans votre région.

7 Utilisation d'un talkie-walkie

Pour que des talkies-walkies puissent communiquer entre eux, ils doivent utiliser le même canal et le même code CTCSS/DCS (voir le chapitre "13.7 CTCSS (Continuous Tone Coded Squelch System ou système de squelch à tonalités codées) / DCS (Digital Coded Squelch ou système de squelch numérique codé)") et la portée de réception doit être respectée (maximum de 10 km en terrain dégagé). Ces appareils utilisant des bandes de fréquences libres (canaux), tous les appareils en fonctionnement partagent ces canaux (8 au total). La confidentialité n'est donc pas assurée. Toute personne qui dispose d'un talkie-walkie utilisant votre canal est susceptible d'écouter votre conversation. Pour communiquer (transmettre un signal vocal), appuyez sur la touche PTT (12).

L'appareil passe alors en mode de transmission et vous pouvez parler dans le micro. Les personnes qui utilisent d'autres talkies-walkies couverts par la portée, utilisant le même canal et se trouvant en mode veille (pas en cours de transmission) entendent votre message. Pour que vous puissiez répondre au message, vous devez attendre que votre interlocuteur arrête de transmettre. À la fin de chaque transmission, l'appareil émet un bip si le Roger Beep est activé (voir chapitre "13.12 Activation/Désactivation du Roger Beep"). Pour répondre, il vous suffit d'appuyer sur la touche PTT (12) et de parler dans le micro.



Si plusieurs utilisateurs appuient simultanément sur la touche PTT (12), c'est le signal le plus puissant qui est détecté par le récepteur et les autres signaux sont supprimés. C'est pourquoi vous ne devez transmettre de signal (touche PTT (12)) que lorsque le canal est libre.



La gamme des ondes radio est fortement affectée par des obstacles, tels que bâtiments, structures en béton/métal, paysages accidentés, zones boisées, plantes, etc. Cela implique que la portée entre plusieurs talkies-walkies peut, dans certains cas extrêmes, être réduite à un maximum de quelques dizaines de mètres. Vous constaterez rapidement que les talkies-walkies fonctionnent mieux lorsque peu d'obstacles se trouvent entre les utilisateurs.

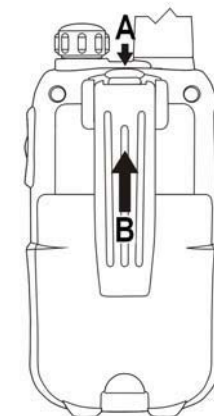
8 Inclus dans l'emballage

- 2 Twintalker 9500
- 2 chargeurs de bureau
- 2 adaptateurs secteur
- 8 piles AAA NiMh
- Mode d'emploi
- Carte avec hotline et adresse du service technique

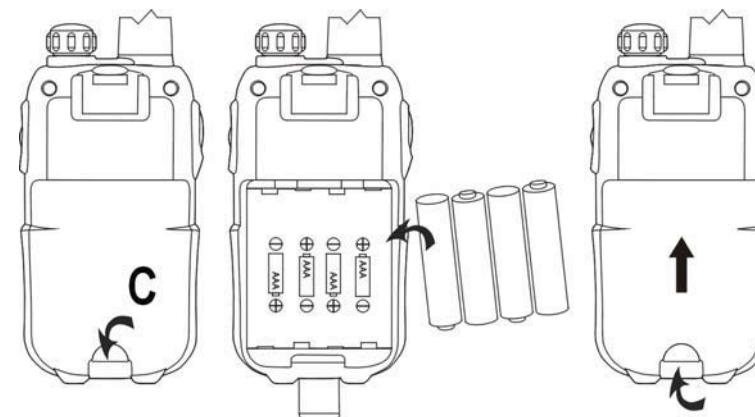
9 Pour commencer

9.1 Installation/Retrait du clip de ceinture

1. Pour retirer le clip de ceinture (B) de l'appareil, poussez celui-ci vers l'antenne tout en tirant sur l'agrafe du clip (A).
2. Lorsque vous réinstallez le clip de ceinture, un déclic indique qu'il est correctement verrouillé.



9.2 Installation des piles



1. Retirez le clip de ceinture (voir chapitre "9.1 Installation/Retrait du clip de ceinture").
2. Soulevez le couvercle du compartiment des piles en poussant délicatement le clip de celui-ci (C) avec votre ongle.
3. Installez les piles NiMh. Veillez à respecter la polarité des piles NiMh.
4. Refermez le compartiment à piles.
5. Remplacez le clip de ceinture.

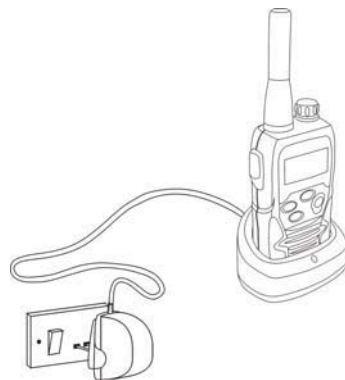
10 Chargement des piles

Il existe deux façons de recharger les piles des talkies-walkies :

10.1 Utilisation du chargeur de bureau

Le chargeur de bureau permet de recharger automatiquement les piles à votre convenance.

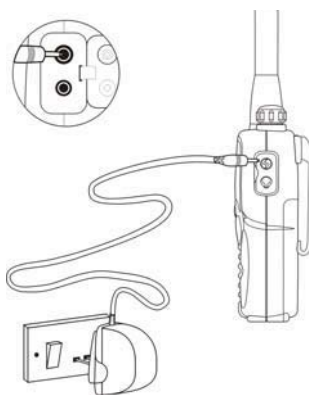
1. Placez le chargeur de bureau sur une surface plane.
2. Branchez une extrémité de l'adaptateur fourni dans une prise de courant facilement accessible et l'autre extrémité dans le connecteur situé à l'arrière du chargeur de bureau (28). (Voir l'illustration 3 sur le rabat de la couverture)
3. Placez l'équipement radio sur le chargeur, tel qu'illustré.
4. Le voyant de chargement (29) s'allume si l'appareil est correctement inséré et en charge (Voir l'illustration 3 sur le rabat de la couverture).



10.2 Connexion directe de l'adaptateur secteur au talkie-walkie

1. Branchez le connecteur de l'adaptateur secteur directement à la prise du chargeur (3) du talkie-walkie.

Le temps de charge total des piles dure entre 8 et 10 heures.



N'appuyez pas sur la touche PTT (12) des talkies-walkies pendant qu'ils sont en charge !



Ne court-circuitez pas les piles et ne les jetez pas au feu. Retirez-les lorsque vous n'utilisez pas l'appareil pendant une durée prolongée. Ne rechargez pas des piles non rechargeables, telles que piles alcalines, avec le chargeur. Vous pourriez endommager les talkies-walkies et le chargeur.

11 Description

Voir l'illustration 1 sur le rabat de la couverture

1. Bouton Marche/Arrêt/Volume
2. Écran LCD
3. Branchement du chargeur
4. Connexion d'un écouteur
5. Voyant TX (allumé lors d'une transmission)
6. Touche Appel
7. Touche Menu
 - Permet d'ouvrir le menu Paramètres.
8. Micro
9. Haut-parleur
10. Touche « Bas » ▼
 - Permet de sélectionner l'option de menu précédente.
11. Touche « Haut » ▲
 - Permet de sélectionner l'option de menu suivante.
12. Touche PTT
13. Antenne

Voir l'illustration 3 sur le rabat de la couverture

28. Branchement du chargeur
29. Voyant du chargeur (allumé lors de la charge)

12 Informations apparaissant sur l'écran LCD

Voir l'illustration 2 sur le rabat de la couverture

14. Indication CTCSS
15. Indication DCS
16. Option CTCSS/DCS
17. Indication de la fréquence en MHz
18. Indication en MHz
19. Icône de verrouillage du clavier
20. Indication du type de réception d'appels
21. Indication du niveau de chargement des piles
22. Numéro de canal
23. Icône RX
 - S'affiche en cours de réception.
24. Icône TX
 - S'affiche en cours de transmission.
25. Indication VOX
26. Indication de balayage
27. Indication du mode double canal (DCM)

13 Utilisation du Twintalker 9500



Les illustrations de l'écran présentées aux pages suivantes ne montrent que les icônes ou informations apparaissant sur l'écran relatives aux fonctions expliquées dans le texte.

13.1 Mise en marche/Arrêt du talkie-walkie



- Tournez le bouton "Marche/Arrêt/Volume" ① dans le sens des aiguilles d'une montre. Un déclic indique que le talkie-walkie est allumé.
- Tournez à fond le bouton "Marche/Arrêt/Volume" ① dans le sens inverse des aiguilles d'une montre. Un déclic indique que le talkie-walkie est éteint.

13.2 Niveau de charge des piles/Indication de piles faibles

Le niveau de charge des piles est représenté par le nombre de barres que contient l'icône de la pile sur l'écran LCD.



- Piles chargées à 100 %
- Piles chargées à 2/3
- Piles chargées à 1/3
- Piles déchargées

Lorsque le niveau de charge des piles est faible, l'icône de la pile clignote et un bip retentit pour signaler qu'il faut procéder au remplacement ou au rechargement de celles-ci.

13.3 Réglage du volume du haut-parleur

- Tournez le bouton "Marche/Arrêt/Volume" ① dans le sens des aiguilles d'une montre pour augmenter le volume du haut-parleur.
- Tournez-le dans le sens inverse des aiguilles d'une montre pour diminuer le volume.

13.4 Réception d'un signal

Lorsque l'appareil est activé et qu'il n'est pas en mode de transmission, il est en permanence en mode de réception.



Pour que d'autres personnes reçoivent votre transmission, elles doivent également utiliser le même canal et le même code CTCSS ou DCS. (Voir chapitres "13.6 Changement de canal" et "13.7 CTCSS (Continuous Tone Coded Squelch System ou système de squelch à tonalités codées) / DCS (Digital Coded Squelch ou système de squelch numérique codé)"). Les codes CTCSS et DCS peuvent être utilisés, mais jamais simultanément.

13.5 Transmission d'un signal



- Appuyez sur la touche PTT ⑫ et maintenez-la enfoncée pour la transmission. Le symbole TX s'affiche.
- Tenez l'appareil à la verticale, placez le micro à 10 cm de votre bouche et parlez.
- Relâchez la touche PTT ⑫ lorsque vous voulez arrêter la transmission.



Pour vérifier l'activité du canal, utilisez la fonction monitoring (Voir chapitre "13.8 Monitoring").

13.6 Changement de canal



- Appuyez une fois sur la touche ⇨ ⑦ ; le numéro du canal actuel clignote sur l'écran.
- Appuyez sur la touche ▲ ⑪ ou ▼ ⑩ pour changer de canal.
- Appuyez sur la touche PTT ⑫ pour confirmer la commande et revenir en mode de veille.



Si vous n'appuyez sur aucune touche pendant 5 secondes lors du réglage, l'appareil revient en mode de veille.

13.7 CTCSS (Continuous Tone Coded Squelch System ou système de squelch à tonalités codées) / DCS (Digital Coded Squelch ou système de squelch numérique codé)

Les talkies-walkies sans licence fonctionnant sur la bande de fréquences de 446 MHz, tels que le Twintalker 9500, disposent de 8 canaux radio. S'il y a de nombreux utilisateurs de talkies-walkies dans votre entourage, il se peut que certains utilisent le même canal radio.

Pour éviter de recevoir les signaux d'autres utilisateurs, le Twintalker 9500 dispose de sous-canaux.

Deux talkies-walkies ne peuvent communiquer l'un avec l'autre que lorsqu'ils fonctionnent sur le même canal radio et exactement le même sous-canal.

Il existe deux types de sous-canaux :

- CTCSS (Continuous Tone Coded Squelch System ou système de squelch à tonalités codées)
- DCS (Digital Coded Squelch ou système de squelch numérique codé)

Avec le CTCSS, une tonalité de faible fréquence (entre 67 et 250 Hz) est transmise avec le signal vocal. Vous avez le choix entre 38 tonalités différentes. Vous êtes libre de sélectionner l'une de ces 38 tonalités. Grâce au filtrage, ces tonalités ne sont généralement pas audibles pour ne pas gêner la communication.

Le code DCS est similaire au CTCSS mais, au lieu d'envoyer une tonalité continue d'une fréquence sélectionnée, une transmission numérique de données s'ajoute au signal radio. Ce code numérique est transmis selon un débit très faible, environ 134 bits par seconde (le code fait 23 bits). Seuls les talkies-walkies de dernière génération prennent en charge le code DCS. 83

codes DCS peuvent être utilisés. Étant donné que les modèles précédents ne prennent en charge que le CTCSS, mieux vaut utiliser le DCS afin d'éviter que d'autres utilisateurs ne soient audibles pendant vos conversations.

13.7.1 CTCSS



- Appuyez deux fois sur la touche \leftrightarrow (7) : "CTCSS", le code CTCSS actuel clignote sur l'écran.
- Appuyez sur la touche \blacktriangle (11) ou \blacktriangledown (10) pour changer de code.
- Appuyez sur la touche PTT (12) pour confirmer la commande et revenir en mode de veille.

13.7.2 DCS



- Appuyez trois fois sur la touche \leftrightarrow (7) : "DCS", le code DCS actuel clignote sur l'écran.
- Appuyez sur la touche \blacktriangle (11) ou \blacktriangledown (10) pour changer de code.
- Appuyez sur la touche PTT (12) pour confirmer la commande et revenir en mode de veille.



Pour désactiver le code CTCSS ou DCS, sélectionnez "00" pour CTCSS ou pour DCS dans le menu. Lorsque l'entrée est confirmée, "OFF" apparaît.

13.8 Monitoring

La fonction monitoring permet de détecter les signaux faibles du canal actuel.

- Appuyez simultanément sur les touches \leftrightarrow (7) et \blacktriangledown (10) pour activer le monitoring des canaux.
- Appuyez sur la touche \leftrightarrow (7) pour arrêter le monitoring.



Lors du monitoring des canaux, le circuit récepteur du talkie-walkie ne tient pas compte du code CTCSS ou DCS.

13.9 Sélection du mode VOX

Le talkie-walkie est capable de transmettre en mode de commande vocale (VOX). Dans ce mode, l'appareil transmet un signal lorsqu'il est activé par votre voix ou par un son proche de vous. Le fonctionnement en mode VOX n'est pas recommandé si vous envisagez d'utiliser votre talkie-walkie dans un environnement bruyant ou venteux.



Le mode VOX est annulé lorsque vous appuyez sur la touche PTT (12) .



- Appuyez quatre fois sur la touche \leftrightarrow (7) , le réglage VOX actuel clignote sur l'écran et l'icône VOX s'affiche.
- Appuyez sur la touche \blacktriangle (11) pour régler le niveau de sensibilité VOX entre 1 et 3 (le niveau 3 étant le niveau le plus sensible).
- Appuyez sur la touche \blacktriangledown (10) jusqu'à ce que "OFF" apparaisse à l'écran pour désactiver le mode VOX.
- Appuyez sur la touche PTT (12) pour confirmer la commande et revenir en mode de veille.

13.10 Balayage des canaux

Le balayage des canaux recherche les signaux actifs dans une boucle sans fin sur les canaux 1 à 8. Lorsqu'un canal actif est trouvé, vous pouvez rechercher le code CTCSS ou le code DCS réglé par l'utilisateur émettant sur ce canal.

13.10.1 Recherche d'un canal radio actif



- Appuyez cinq fois sur la touche \leftrightarrow (7) : "SCAN", le canal actuel clignote sur l'écran.
- Appuyez sur la touche \blacktriangle (11) ou \blacktriangledown (10) pour démarrer le balayage des canaux.

Lorsqu'un canal actif est trouvé, le balayage s'arrête et vous pouvez écouter la transmission. Lorsque la transmission sur le canal trouvé s'arrête, le balayage reprend automatiquement.



Si vous appuyez sur la touche PTT (12) pendant l'écoute d'un canal trouvé, le talkie-walkie revient en mode de veille sur le canal trouvé.

13.10.2 Recherche d'un code CTCSS

Lorsqu'un canal actif est trouvé, appuyez sur la touche PTT (12) pour sélectionner le canal actif trouvé. Vous pouvez alors rechercher le code CTCSS/DCS utilisé par l'utilisateur trouvé.



- Appuyez six fois sur la touche \leftrightarrow (7) : "SCAN", "CTCSS 00" clignote sur l'écran pour le canal radio sélectionné.
- Appuyez sur la touche \blacktriangle (11) ou \blacktriangledown (10) pour démarrer le balayage CTCSS.

Lorsqu'une transmission s'effectue sur le canal, le code CTCSS (s'il est utilisé) est détecté et affiché.



- Si vous appuyez sur la touche PTT (12) pendant l'écoute d'un code CTCSS trouvé, le talkie-walkie revient en mode de veille sur le canal avec le code CTCSS.
- Si aucun code CTCSS n'est détecté, il se peut qu'un DCS ait été sélectionné par l'utilisateur. Dans ce cas, vous pouvez rechercher un code DCS. (section 13.10.3)

13.10.3 Recherche d'un code DCS



- Appuyez sept fois sur la touche ⇨ (7) : "SCAN", "DCS 00" clignote sur l'écran pour le canal radio sélectionné.
- Appuyez sur la touche ▲ (11) ou ▼ (10) pour démarrer le balayage DCS.

Lorsqu'une transmission s'effectue sur le canal, le code DCS (s'il est utilisé) est détecté et affiché.



Si vous appuyez sur la touche PTT (12) pendant l'écoute d'un code DCS trouvé, le talkie-walkie revient en mode de veille sur le canal avec le code DCS.

13.11 Tonalités d'appel

Une tonalité d'appel signale aux autres personnes que vous voulez parler.

13.11.1 Réglage de la tonalité d'appel

Le Twintalker 9500 dispose de 15 tonalités d'appel.



- Appuyez huit fois sur la touche ⇨ (7), "C" s'affiche et la tonalité d'appel actuelle clignote.
- Appuyez sur la touche ▲ (11) ou ▼ (10) pour changer de tonalité d'appel.
- Appuyez sur la touche PTT (12) pour confirmer la commande et revenir en mode de veille.

13.11.2 Envoi d'une tonalité d'appel

Appuyez brièvement sur la touche Ⓜ (6). La tonalité d'appel est transmise sur le canal sélectionné.

13.11.3 Type de réception d'une tonalité d'appel

- Appuyez neuf fois sur la touche ⇨ (7).
- Appuyez sur la touche ▲ (11) ou ▼ (10) pour sélectionner le type de réception de la tonalité d'appel.
 1. Tonalité uniquement
 2. Tonalité + vibration
 3. Vibration uniquement

Appuyez sur la touche PTT (12) pour confirmer la commande et revenir en mode de veille.

13.12 Activation/Désactivation du Roger Beep

Lorsque vous avez relâché la touche PTT (12), l'appareil envoie un Roger Beep pour confirmer que vous avez cessé de parler.



Pour activer le Roger Beep :

- Appuyez dix fois sur la touche ⇨ (7). "rO" s'affiche.
- Appuyez sur la touche ▲ (11) pour activer (ON) ou sur la touche ▼ (10) pour désactiver (OFF) le Roger Beep.
- Appuyez sur la touche PTT (12) pour confirmer votre sélection et revenir en mode de veille.

13.13 Activation/Désactivation de la tonalité des touches

Lorsque vous appuyez sur une touche, l'appareil émet un bip court.



Pour régler la tonalité des touches :

- Appuyez onze fois sur la touche ⇨ (7). "tO" s'affiche.
- Appuyez sur la touche ▲ (11) pour activer (ON) ou sur la touche ▼ (10) pour désactiver (OFF) la tonalité des touches.
- Appuyez sur la touche PTT (12) pour confirmer votre sélection et revenir en mode de veille.

13.14 Fonction de monitoring double canal

En mode veille, le talkie-walkie est réglé sur un canal avec code CTCSS/DCS. Il ne reçoit que les signaux transmis sur ce canal avec ce code CTCSS/DCS.

Le monitoring double canal (DCM) permet de contrôler un second canal avec code CTCSS/DCS.

- Appuyez douze fois sur la touche ⇨ (7), "DCM OFF" clignote sur l'écran.
- Appuyez sur la touche ▲ (11) ou ▼ (10) pour changer de canal.
- Appuyez sur la touche ⇨ (7) pour confirmer la sélection du canal et passer à la sélection du CTCSS. (Appuyez une nouvelle fois sur la touche ⇨ (7) pour passer à la sélection du DCS.)
- Appuyez sur la touche ▲ (11) ou ▼ (10) pour changer le code CTCSS ou DCS.
- Appuyez sur la touche PTT (12) pour confirmer la commande et revenir en mode de veille.
- Pour désactiver la fonction, sélectionnez "OFF" lorsque vous sélectionnez le canal DCM.



Lorsque la fonction de monitoring double canal est activée, le talkie-walkie commute de manière séquentielle entre le canal en veille + CTCSS/DCS et le double canal + CTCSS/DCS.

13.15 Verrouillage des touches



- Appuyez sur la touche (7) et maintenez-la enfoncée pendant trois secondes pour activer le mode de verrouillage des touches. L'icône de verrouillage des touches apparaît sur l'écran LCD.
- Appuyez à nouveau sur la touche (7) et maintenez-la enfoncée pendant trois secondes pour désactiver le verrouillage des touches.



Les touches PTT (12), (6) et (1) demeurent fonctionnelles lorsque le verrouillage des touches est activé.

13.16 Écran rétroéclairé

Pour activer le rétroéclairage sur l'écran LCD, appuyez sur n'importe quelle touche, exceptée la touche PTT (12) ou la touche (6).

L'écran rétroéclairé s'allume pendant 6 secondes.

14 Connexion de l'écouteur

Le connecteur se trouve sur le côté supérieur de l'appareil (2).

Insérez la fiche de l'écouteur dans le connecteur (prise 2,5 mm).

La petite touche de l'écouteur a la même fonction que la touche PTT (12) de l'appareil.

Lorsque vous utilisez la touche PTT (12) de l'écouteur, vous devez également utiliser le micro de l'écouteur pour parler..



Ne connectez pas d'autres écouteurs. Vous risqueriez d'endommager l'appareil.

15 Dépannage

Aucune alimentation	Nettoyez le contact des piles avec un chiffon doux. Changez les piles.
Aucune transmission	Assurez-vous que vous appuyez complètement sur la touche PTT (12) avant de parler. Surveillez l'activité du canal et basculez sur un autre canal si le canal actuel est utilisé.
Aucune réception	Vérifiez le volume du haut-parleur. Assurez-vous que vous êtes dans la portée de réception de l'émetteur et, si nécessaire, changez de place.
Portée limitée et bruit durant la transmission	La portée d'émission dépend du terrain. Les constructions en acier, les bâtiments en béton ou l'utilisation de l'appareil à l'intérieur d'un véhicule peuvent limiter celle-ci. Essayez autant que possible d'éviter les obstacles et de communiquer à travers un champ de vision libre. Changez de place.
Interférences	Le récepteur et le transmetteur sont trop proches. La distance minimale entre les 2 appareils est de 1,50 m.

16 Caractéristiques techniques

Canaux	8
Sous-code	CTCSS 38 / DCS 83
Fréquence	446,00625 MHz - 446,09375 MHz
Portée	Jusqu'à 10 km (en terrain dégagé)
Piles	rechargeable Li-ion 3,7 V
Puissance de transmission	=ERP < 500 mW
Type de modulation	FM - F3E
Espacement des canaux	12,5 kHz
Adaptateur pour chargeur double	Entrée : 230 V CA / 50 Hz - Sortie : 7,5 V CC / 750 mA

Channel Frequency Chart:		CTCSS Code Chart							
Channel	Frequency (MHz)	Code	Frequency (Hz)	Code	Freq. (Hz)	Code	Freq. (Hz)	Code	Freq. (Hz)
1	446,00625	0	Disabled	10	94,8	20	131,8	30	186,2
2	446,01875	1	67,0	11	97,4	21	136,5	31	192,8
3	446,03125	2	71,9	12	100,0	22	141,3	32	203,5
4	446,04375	3	74,4	13	103,5	23	146,2	33	210,7
5	446,05625	4	77,0	14	107,2	24	151,4	34	218,1
6	446,06875	5	79,7	15	110,9	25	156,7	35	225,7
7	446,08125	6	82,5	16	114,8	26	162,2	36	233,6
8	446,09375	7	85,4	17	118,8	27	167,9	37	241,8
		8	88,5	18	123,0	28	173,8	38	250,3
		9	91,5	19	127,3	29	179,9		

DCS Code Chart							
No	DCS code	No	DCS code	No	DCS code	No	DCS code
0	Disabled	21	134	42	311	63	516
1	23	22	143	43	315	64	532
2	25	23	152	44	331	65	546
3	26	24	155	45	343	66	565
4	31	25	156	46	346	67	606
5	32	26	162	47	351	68	612
6	43	27	165	48	364	69	624
7	47	28	172	49	365	70	627
8	51	29	174	50	371	71	631
9	54	30	205	51	411	72	632
10	65	31	223	52	412	73	654
11	71	32	226	53	413	74	662
12	72	33	243	54	423	75	664
13	73	34	244	55	431	76	703
14	74	35	245	56	432	77	712
15	114	36	251	57	445	78	723
16	115	37	261	58	464	79	731
17	116	38	263	59	465	80	732
18	125	39	265	60	466	81	734
19	131	40	271	61	503	82	743
20	132	41	306	62	506	83	754

17 Garantie Topcom

17.1 Période de garantie

Les appareils Topcom bénéficient d'une période de garantie de 24 mois. La période de garantie prend effet le jour de l'achat du nouvel appareil. Il n'y a aucune garantie sur les piles standard ou rechargeables (de type AA/AAA).

Les accessoires et les défauts qui ont un effet nuisible sur le fonctionnement ou la valeur de l'appareil ne sont pas couverts.

La garantie s'applique uniquement sur présentation du reçu d'achat original ou une copie de celui-ci sur lequel figurent la date de l'achat et le modèle de l'appareil.

17.2 Mise en œuvre de la garantie

Tout appareil défectueux doit être retourné à un centre de service après-vente Topcom, accompagné d'un ticket d'achat valable et d'une fiche de service dûment complétée.

En cas de panne pendant la période de garantie, Topcom ou son centre de service après-vente officiel réparera gratuitement les dysfonctionnements dus à un vice de matière ou de fabrication, en réparant ou en remplaçant les appareils ou les pièces défectueux. En cas de remplacement, la couleur et le modèle peuvent être différents de ceux de l'appareil acheté initialement.

La date d'achat initiale détermine le début de la période de garantie. La période de garantie n'est pas prolongée si l'appareil est remplacé ou réparé par Topcom ou son centre de service après-vente officiel.

17.3 Exclusions de garantie

Les dommages et les pannes causés par un mauvais traitement ou une utilisation incorrecte et les dommages qui résultent de l'utilisation de pièces et d'accessoires non originaux ne sont pas couverts par la garantie.

La garantie ne couvre pas les dommages causés par des éléments extérieurs tels que la foudre, l'eau et le feu, ni les dommages provoqués par le transport.

Aucune garantie ne pourra être invoquée si le numéro de série indiqué sur les appareils a été modifié, supprimé ou rendu illisible.

Aucune garantie ne peut non plus être invoquée si l'appareil a été réparé ou modifié par l'acheteur.

1 Einleitung

Herzlichen Glückwunsch zum Kauf des Twintalker 9500. Es ist ein Sprechfunkgerät für große Entfernungen mit einer Reichweite bis zu 10 km. Es verursacht keine laufenden Betriebskosten außer den geringfügigen Kosten für das Aufladen der Akkus. Der TwinTalker verwendet 8 Kanäle.

2 Verwendungszweck

Das Gerät kann für Freizeit Zwecke verwendet werden, zum Beispiel um bei einem Ausflug in einer Gruppe mit mehreren Autofahrern, Radfahrern oder Skiläufern untereinander Verbindung zu halten. Es kann auch eingesetzt werden, um mit Ihren Kindern in Kontakt zu bleiben, wenn sie draußen spielen usw.

3 CE-Kennzeichnung

Das CE-Symbol auf dem Gerät, der Gebrauchsanweisung und der Verpackung zeigt an, dass das Gerät die grundlegenden Anforderungen der R&TTE-Richtlinie 1999/5/EC erfüllt.

4 Sicherheitshinweise

4.1 Allgemein

Bitte lesen Sie aufmerksam die folgenden Informationen für den sicheren und ordnungsgemäßen Gebrauch. Lernen Sie alle Funktionen des Geräts kennen. Bewahren Sie diese Gebrauchsanweisung sicher auf. Vielleicht benötigen Sie sie später nochmals.

4.2 Verbrennungsgefahr

- Berühren Sie die Antenne nicht, wenn der Antennenschutz beschädigt ist. Eine Berührung der Antenne mit der Haut kann bei einer Übertragung zu einer geringfügigen Verbrennung führen.
- Batterien können Sachschäden und Verbrennungen verursachen, wenn leitende Materialien wie Schmuck, Schlüssel oder Perlenketten frei liegende Anschlüsse berühren. Das Material schließt unter Umständen einen elektrischen Stromkreis (Kurzschluss) und wird dadurch entsprechend heiß. Seien Sie achtsam im Umgang mit Akkus und Batterien. Insbesondere, wenn Sie diese in einer Tasche, einem Geldbeutel oder einem anderen Behälter mit metallenen Objekten aufbewahren.

4.3 Verletzungsgefahr

- Positionieren Sie Ihr Gerät nicht in den Bereich über einem Airbag oder im Airbagauslösbereich. Airbags blasen sich mit großer Wucht auf. Bei einem Unfall kann es sein, dass das Funkgerät mit großer Kraft durch das Auto geschleudert wird und dabei Insassen des Fahrzeugs verletzt.
- Bewahren Sie mit dem Sprechfunkgerät einen Abstand von mindestens 15 cm zu einem Herzschrittmacher.
- Schalten Sie Ihr Sprechfunkgerät aus, sobald eine Interferenz mit medizinischen Geräten auftritt.

4.4 Explosionsgefahr

- Tauschen Sie die Batterien niemals in einer potenziell explosionsgefährdeten Umgebung aus. Während des Einsetzens oder Entfernens der Batterien kann es zu einem Funkenschlag kommen, der eine Explosion auslöst.
- Schalten Sie Ihr Sprechfunkgerät aus, wenn Sie sich in einer explosionsgefährdeten Umgebung befinden. Ein Funkenschlag in solchen Gebieten kann eine Explosion oder einen Feuersausbruch verursachen. Weiterhin kann er zu Verletzungen und sogar zum

Tode führen.

- Werfen Sie Batterien niemals ins Feuer, da sie explodieren können.



Explosionsgefährdete Bereiche sind oft, aber nicht immer eindeutig ausgewiesen. Dazu zählen Tankbereiche, wie z.B. unter Deck bei Schiffen, Kraftstoffüberführungen oder Kraftstoffaufbewahrungsbereiche. Bereiche, in denen die Luft Chemikalien oder Teilchen enthält, wie zum Beispiel Getreide, Staub oder Metallpulver. Alle anderen Bereiche, in denen Sie normalerweise angewiesen werden Ihren Kraftfahrzeugmotor abzuschalten.

4.5 Vergiftungsgefahr

- Halten Sie Batterien außer Reichweite von kleinen Kindern.

4.6 Vorschriften

- In einigen Ländern ist es verboten Ihr Sprechfunkgerät während des Steuerns eines Fahrzeugs zu benutzen. In diesem Fall stoppen Sie Ihr Fahrzeug neben der Straße, bevor Sie es benutzen.
- Schalten Sie Ihr Sprechfunkgerät aus, wenn Sie sich an Bord eines Flugzeugs befinden und entsprechende Anweisungen erhalten. Die Benutzung des Geräts muss entsprechend den Bestimmungen der Fluglinie oder den Anweisungen der Besatzung erfolgen.
- Schalten Sie Ihr Gerät überall dort aus, wo Aushänge es von Ihnen verlangen. Krankenhäuser und Gesundheitseinrichtungen verwenden möglicherweise Geräte, die empfindlich auf externe Hochfrequenzen reagieren.
- Das Ersetzen oder Ändern der Antenne kann die Gerätespezifizierung verändern und die CE-Bestimmungen verletzen. Nicht genehmigte Antennen können außerdem das Funkgerät beschädigen.

4.7 Hinweise

- Berühren Sie die Antenne während einer Übertragung nicht, da dadurch die Reichweite beeinflusst wird.
- Entfernen Sie die Batterien/Akkus, wenn Sie das Gerät über längere Zeit nicht benutzen.

5 Reinigung und Wartung

- Reinigen Sie das Gerät, indem Sie es mit einem weichen, feuchten Tuch abwischen. Verwenden Sie keine Reinigungs- oder Lösungsmittel für das Gerät; diese können das Gehäuse beschädigen und ins Innere gelangen, was zu dauerhaften Schäden führen kann.
- Die Batteriekontakte können mit einem trockenen, flusenfreien Tuch abgewischt werden.
- Sollte das Gerät einmal nass werden, schalten Sie es aus und entfernen Sie sofort die Batterien/Akkus. Trocknen Sie das Batteriefach mit einem weichen Tuch um den potenziellen Wasserschaden zu minimieren. Lassen Sie das Batteriefach über Nacht geöffnet oder bis es vollständig getrocknet ist. Benutzen Sie das Gerät nicht, bevor es vollständig getrocknet ist.

6 Entsorgung des Gerätes (Umweltschutz)



Verbrauchte und defekte Geräte sollten Sie nicht in den normalen Hausmüll werfen, sondern an einer Sammelstelle für die Aufbereitung von elektrischen und elektronischen Geräten abgeben. Das Symbol am Gerät, in der Gebrauchsanweisung und/oder auf der Verpackung weist Sie darauf hin. Einige der Materialien des Geräts können wiederverwertet werden, wenn man sie an einer Aufbereitungsstelle abgibt. Mit der Wiederverwertung einiger Teile oder

Rohmaterialien aus gebrauchten Produkten liefern Sie einen wichtigen Beitrag zum Umweltschutz. Wenden Sie sich bitte an Ihre örtlichen Behörden, wenn Sie weitere Informationen über die Sammelstellen in Ihrer Umgebung benötigen.



Entsorgen Sie Batterien immer bei einer Sammelstelle für verbrauchte Batterien und nie im Haushaltsmüll.

7 Betrieb eines Sprechfunkgeräts

Zur Verständigung über Sprechfunkgeräte müssen diese auf denselben Kanal und CTCSS/DCS-Code eingestellt sein (siehe Kapitel "13.7 CTCSS (Continuous Tone Coded Squelch System) / DCS (Digital Coded Squelch)"). Sie müssen sich auch innerhalb der Empfangsreichweite befinden (bis zu max. 10 km in offenem Gelände). Da diese Geräte freie Kanäle verwenden, teilen sich alle in Betrieb befindlichen Geräte diese Kanäle (insgesamt 8 Kanäle). Daher ist eine Privatsphäre nicht garantiert. Jede Person mit einem Sprechfunkgerät, das auf Ihren Kanal eingestellt ist, kann Ihr Gespräch mithören. Möchten Sie kommunizieren (eine Sprechverbindung erzeugen), drücken Sie die PTT-Taste (12).

Sobald diese Taste gedrückt ist, schaltet sich das Gerät in den Sendemodus und Sie können in das Mikrofon sprechen. Alle Sprechfunkgeräte innerhalb der Reichweite, die auf denselben Kanal eingestellt sind und sich im Standby-Modus befinden (nicht im Sendemodus), hören Ihre Nachricht. Zum Antworten müssen Sie abwarten, bis die andere Seite mit dem Sprechen fertig ist. Wenn der Quittungston aktiviert ist (siehe Kapitel "13.12 Ein-/Ausschalten des Quittungstons"), sendet das Gerät am Ende jeder Übertragung einen Ton. Drücken Sie zum Antworten die PTT-Taste (12) und sprechen Sie in das Mikrofon.



Drücken zwei oder mehr Benutzer die PTT-Taste (12) gleichzeitig, so wird der Empfänger nur das stärkste Signal empfangen. Alle anderen Signale werden unterdrückt. Daher sollten Sie nur ein Signal übertragen (die PTT-Taste (12) drücken), wenn der Kanal frei ist.



Die Reichweite der Funkwellen wird stark durch Hindernisse wie beispielsweise Gebäude, Beton- und Metallstrukturen, Unebenheiten in der Landschaft, Bewaldungen, Bepflanzungen usw. beeinflusst. Das bedeutet, dass die Reichweite zwischen zwei oder mehreren Sprechfunkgeräten in einigen extremen Fällen auf einige Dutzend Meter beschränkt sein kann. Sie werden schnell feststellen, dass ein Sprechfunkgerät am besten funktioniert, wenn zwischen den Benutzern nur wenige Hindernisse vorhanden sind.

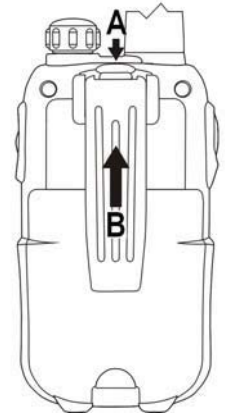
8 Packungsinhalt

- 2 x Twintalker 9500
- 2 x Tischladegerät
- 2 x Netzteil
- 8 x AAA NiMh Batterien
- Bedienungsanleitung
- Karte mit Kundendienstadresse und Hotline

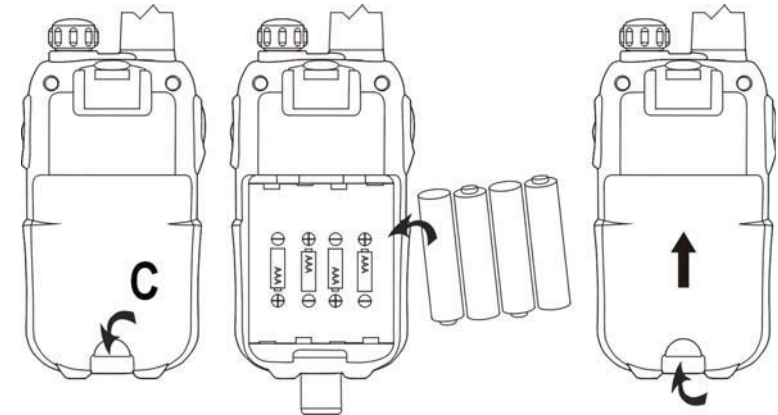
9 Erste Schritte

9.1 Anbringen/Entfernen des Gürtelhalters

1. Um den Gürtelhalter vom Gerät zu entfernen, drücken Sie den Gürtelhalter (B) in Richtung Antenne, während Sie an der Lasche des Halters (A) ziehen.
2. Wenn Sie den Gürtelhalter wieder montieren, zeigt ein Klicken an, dass der Gürtelhalter eingerastet ist.



9.2 Einlegen der Batterien/Akkus



1. Entfernen Sie den Gürtelhalter (siehe Kapitel "9.1 Anbringen/Entfernen des Gürtelhalters").
2. Heben Sie die Batteriefachabdeckung ab, indem Sie mit dem Fingernagel vorsichtig den Clip der Abdeckung (C) drücken.
3. Legen Sie die NiMh Batterien ein. Achten Sie dabei auf richtige Polarität der NiMh Batterien.
4. Schließen Sie das Batteriefach.
5. Montieren Sie den Gürtelhalter wieder.

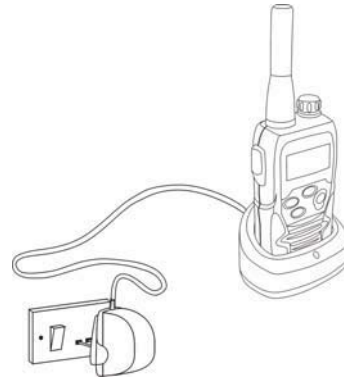
10 Laden der Akkus

Es gibt zwei Wege, die Sprechfunkgeräte aufzuladen:

10.1 Verwenden Sie die Tischladestation

Die Tischladestation ist eine praktische Lademöglichkeit.

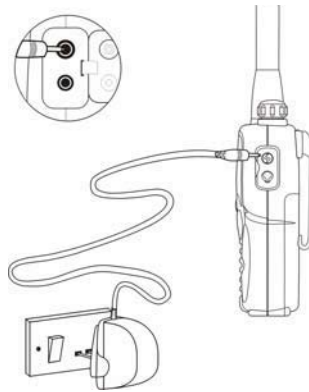
1. Stellen Sie das Ladegerät auf eine ebene Oberfläche.
2. Stecken Sie ein Ende des mitgelieferten Netzteils in eine Steckdose und das andere Ende in den Anschluss an der Rückseite des Ladegeräts (28). (Siehe aufklappbares Deckblatt - Abbildung 3)
3. Stellen Sie das Funkgerät wie dargestellt in das Ladegerät.
4. Die Ladeanzeige (29) leuchtet auf, wenn das Gerät korrekt eingesetzt wurde und lädt. (Siehe aufklappbares Deckblatt - Abbildung 3)



10.2 Direktes Anschließen des Stromadapters an das Sprechfunkgerät

1. Verbinden Sie den Stecker des Stromadapters direkt mit dem Ladeanschluss (3) des Sprechfunkgeräts.

Das vollständige Aufladen der Akkus dauert etwa 8 bis 10 Stunden.



Drücken Sie während des Ladevorgangs nicht die PTT-Taste (12) des Sprechfunkgeräts!



Schließen Sie die Batterien/Akkus nicht kurz und verbrennen Sie sie nicht. Entfernen Sie die Batterien/Akkus, wenn das Gerät längere Zeit nicht verwendet wird. Laden Sie im Ladegerät keine nicht aufladbaren Batterien wie Alkali-Batterien auf. Hierdurch können die Sprechfunkgeräte und das Ladegerät beschädigt werden.

11 Beschreibung

Siehe Abbildung 1 auf der ausklappbaren Umschlagseite

1. EIN-/AUS-/Lautstärke-Schalter
2. LCD-Display
3. Anschluss Batterieladegerät
4. Anschlussbuchse für Kopfhörer
5. TX-LED (leuchtet bei der Übertragung)
6. Ruftaste
7. Menütaste
 - Aufrufen der Menüeinstellungen
8. Mikrofon
9. Lautsprecher
10. Nach-unten-Taste
 - Auswählen des vorigen Menüpunkts
11. Nach-oben-Taste
 - Auswählen des nächsten Menüpunkts
12. PTT-Taste
13. Antenne

Siehe Abbildung 3 auf der ausklappbaren Umschlagseite

28. Anschluss Batterieladegerät
29. Lade-LED (leuchtet beim Ladevorgang)

12 Informationen zum LCD-Display

Siehe Abbildung 2 auf der ausklappbaren Umschlagseite

14. CTCSS-Anzeige
15. DCS-Anzeige
16. CTCSS/DCS-Wert
17. Frequenzanzeige in MHz
18. MHz-Anzeige
19. Tastatursperr-Symbol
 - Wird beim Empfang angezeigt
24. TX-Symbol
 - Wird beim Übertragen angezeigt
25. VOX-Anzeige
26. Scan-Anzeige
27. DCM-Anzeige (Dual Channel Monitor)

13 Betrieb des Twintalker 9500



Die Display-Abbildungen auf den nächsten Seiten zeigen nur die Symbole oder Anzeigeeinformationen, die im Text erklärt werden.

13.1 Ein- und Ausschalten des Sprechfunkgerätes



- Drehen Sie den „Ein-/Aus-/Lautstärke-Schalter“ ① im Uhrzeigersinn. Sie erkennen durch ein hörbares Klickgeräusch, dass das Sprechfunkgerät eingeschaltet ist.
- Drehen Sie den „Ein-/Aus-/Lautstärke-Schalter“ ① vollständig gegen den Uhrzeigersinn. Sie erkennen durch ein hörbares Klickgeräusch, dass das Sprechfunkgerät ausgeschaltet ist.

13.2 Batterieladezustandsanzeige / Anzeige schwache Batterie

Der Batterieladezustand wird durch die Anzahl der Quadrate im Batteriesymbol im LCD-Display angezeigt.



- Batterie/Akku voll
- Batterie/Akku 2/3 voll
- Batterie/Akku 1/3 voll
- Batterie/Akku leer

Wenn der Batterieladezustand niedrig ist, blinkt das Batteriesymbol und ein Signalton ertönt, um anzuzeigen, dass die Batterien/Akkus ausgetauscht oder aufgeladen werden müssen.

13.3 Einstellen der Lautsprecherlautstärke

- Drehen Sie den „Ein-/Aus-/Lautstärke-Schalter“ ① im Uhrzeigersinn, um den Lautsprecher lauter zu stellen.
- Drehen Sie ihn gegen den Uhrzeigersinn, um die Lautstärke zu verringern.

13.4 Empfangen eines Signals

Das Gerät befindet sich immer im Empfangsmodus, wenn es eingeschaltet ist und nicht sendet.



Damit andere Personen Ihre Übertragung empfangen können, müssen sie denselben Kanal und CTCSS-Code oder DCS-Code eingestellt haben. (Siehe Kapitel “13.6 Wechseln des Kanals” und “13.7 CTCSS (Continuous Tone Coded Squelch System) / DCS (Digital Coded Squelch)”). Sie können nur entweder CTCSS oder DCS verwenden, aber nicht beide gleichzeitig.

13.5 Senden eines Signals



- Halten Sie zum Senden die Taste PTT ⑫ gedrückt. Das TX-Symbol erscheint im Display.
- Halten Sie das Gerät in einer senkrechten Position mit dem Mikrofon 10 cm vor dem Mund. Sprechen Sie in das Mikrofon.
- Lassen Sie die Taste PTT ⑫ los, wenn Sie nicht mehr senden möchten.



Zum Kontrollieren der Kanäle verwenden Sie die Kanalüberwachungsfunktion (Siehe Kapitel “13.8 Kanalüberwachung”).

13.6 Wechseln des Kanals



- Drücken Sie einmal die Taste ↔ ⑦. Die aktuelle Kanalnummer blinkt in der Anzeige.
- Drücken Sie die ▲-Taste ⑪ oder die ▼-Taste ⑩, um den Kanal zu wechseln.
- Drücken Sie die Taste PTT ⑫, um die Einstellung zu bestätigen und in den Standby-Modus zurückzukehren.



Wenn beim Einstellen 5 Sekunden lang keine Taste betätigt wird, kehrt das Gerät in den Standby-Modus zurück.

13.7 CTCSS (Continuous Tone Coded Squelch System) / DCS (Digital Coded Squelch)

Lizenzfreien Sprechfunkgeräten, die wie der Twintalker 9500 auf dem Frequenzband 446 MHz senden, stehen 8 Funkkanäle zur Verfügung. Falls in Ihrer Nachbarschaft viele Sprechfunkgeräte im Einsatz sind, besteht die Möglichkeit, dass einige der Benutzer denselben Funkkanal verwenden.

Um zu vermeiden, dass Sie Signale von anderen Benutzern empfangen, wurden Subkanäle integriert.

Zwei Sprechfunkgeräte können nur miteinander kommunizieren, wenn sie auf demselben Funkkanal senden und genau denselben Subkanal ausgewählt haben.

Es gibt zwei Arten von Subkanälen:

- CTCSS (Continuous Tone Coded Squelch System)
- DCS (Digital Coded Squelch)

Bei Verwendung von CTCSS wird ein Ton mit niedriger Frequenz (zwischen 67 und 250 Hz) zusammen mit dem Sprachsignal übertragen. Es gibt 38 verfügbare Töne, aus denen Sie einen beliebigen Ton wählen können. Aufgrund der Filterung sind diese Töne im Allgemeinen nicht zu hören, so dass sie die Kommunikation nicht stören.

DCS funktioniert ähnlich wie CTCSS, aber anstatt einen kontinuierlichen Ton einer ausgewählten Frequenz zu senden, wird dem Funksignal eine digitale Datenübertragung hinzugefügt. Dieser digitale Code wird mit einer sehr niedrigen Rate von etwa 134 Bit pro Sekunde übertragen (der Code ist 23 Bit lang). Nur Sprechfunkgeräte der jüngsten Generation

unterstützen DCS. Es können 83 verfügbare DCS-Codes verwendet werden. Da ältere Modelle nur CTCSS unterstützen, empfiehlt sich die Verwendung von DCS, um zu verhindern, dass andere Benutzer bei Ihren Gesprächen mit dem Funkgerät zu hören sind.

13.7.1 CTCSS



- Drücken Sie die ↔-Taste (7) zweimal: „CTCSS“ und der aktuelle CTCSS-Code blinken im Display.
- Drücken Sie die ▲-Taste (11) oder die ▼-Taste (10), um den Code zu ändern.
- Drücken Sie die Taste PTT (12), um die Einstellung zu bestätigen und in den Standby-Modus zurückzukehren.

13.7.2 DCS



- Drücken Sie die ↔-Taste (7) dreimal: „DCS“ und der aktuelle DCS-Code blinken im Display.
- Drücken Sie die ▲-Taste (11) oder die ▼-Taste (10), um den Code zu ändern.
- Drücken Sie die Taste PTT (12), um die Einstellung zu bestätigen und in den Standby-Modus zurückzukehren.



Zum Deaktivieren von CTCSS oder DCS wählen Sie im Menü für CTCSS oder für DCS den Code „00“ aus. Wenn die Eingabe bestätigt wird, erscheint „OF“ in der Anzeige.

13.8 Kanalüberwachung

Mit der Überwachungsfunktion können Sie schwächere Signale im aktuellen Kanal suchen.

- Drücken Sie die ↔-Taste (7) und die ▼-Taste (10) gleichzeitig, um die Kanalüberwachung zu aktivieren.
- Drücken Sie die ↔-Taste (7), um die Überwachung zu beenden.



Während der Kanalüberwachung hört die Empfängerschaltung im Sprechfunkgerät keine CTCSS- oder DCS-Codes.

13.9 VOX-Auswahl

Das Sprechfunkgerät eignet sich für sprachaktivierte (VOX) Übertragung. Im VOX-Modus sendet das Sprechfunkgerät ein Signal, wenn es von Ihrer Stimme oder einem anderen Geräusch in Ihrer Umgebung aktiviert wird. Der VOX-Betrieb ist nicht empfehlenswert, wenn Sie Ihr Funkgerät in einer lauten oder windigen Umgebung benutzen möchten.



Der VOX/Modus wird deaktiviert, wenn Sie die PTT-Taste (12) drücken.



- Drücken Sie die ↔-Taste (7) viermal. Die aktuelle VOX-Einstellung blinkt im Display und das VOX-Symbol wird angezeigt.
- Drücken Sie die ▲-Taste (11), um die VOX-Empfindlichkeit zwischen 1 und 3 einzustellen (3 ist die empfindlichste Stufe).
- Drücken Sie die ▼-Taste (10), bis im Display „AUS“ erscheint, um VOX auszuschalten.
- Drücken Sie die Taste PTT (12), um die Einstellung zu bestätigen und in den Standby-Modus zurückzukehren.

13.10 Kanalsuchlauf

Der Kanalsuchlauf sucht in einer Endlosschleife in den Kanälen 1 bis 8 nach aktiven Signalen. Sobald ein aktiver Kanal gefunden wird, haben Sie die Möglichkeit, den CTCSS-Code oder den DCS-Code zu suchen, den der Benutzer, der auf dem Kanal sendet, eingestellt hat.

13.10.1 Suchen nach einem aktiven Funkkanal



- Drücken Sie die ↔-Taste (7) fünfmal: „SCAN“ und der aktuelle Kanal blinken im Display.
- Drücken Sie die ▲-Taste (11) oder die ▼-Taste (10), um den Kanalsuchlauf zu starten.

Sobald ein aktiver Kanal gefunden wird, hört der Suchlauf auf und Sie können die Übertragung abhören.

Wenn die Übertragung auf dem gefundenen Kanal beendet wird, wird der Suchlauf automatisch fortgesetzt.



Wenn Sie die PTT-Taste (12) drücken, während Sie einen gefundenen Kanal abhören, kehrt das Sprechfunkgerät auf dem gefundenen Kanal in den Standby-Modus zurück.

13.10.2 Suchen nach einem CTCSS-Code

Wenn ein aktiver Kanal gefunden wird, drücken Sie die PTT-Taste (12), um den gefundenen aktiven Kanal auszuwählen. Nun haben Sie die Möglichkeit, nach dem vom gefundenen Benutzer verwendeten CTCSS/DCS-Code zu suchen.



- Drücken Sie die ↔-Taste (7) sechsmal: „SCAN“ und „CTCSS 00“ blinken im Display für den ausgewählten Funkkanal.
- Drücken Sie die ▲-Taste (11) oder die ▼-Taste (10), um den CTCSS-Suchlauf zu starten.

Sobald eine Übertragung auf dem Kanal stattfindet, wird der CTCSS-Code (falls verwendet) erkannt und angezeigt.



- Wenn Sie die PTT-Taste (12) drücken, während Sie einen gefundenen CTCSS-Code abhören, kehrt das Sprechfunkgerät auf dem Kanal mit dem CTCSS-Code in den Standby-Modus zurück.
- Wenn kein CTCSS-Code erkannt wird, besteht die Möglichkeit, dass der Benutzer DCS gewählt hat. In diesem Fall können Sie nach dem DCS-Code suchen (Abschnitt 13.10.3).

13.10.3 Suchen nach einem DCS-Code



- Drücken Sie die ↵-Taste (7) siebenmal: „SCAN“ und „DCS 00“ blinken im Display für den ausgewählten Funkkanal.
- Drücken Sie die ▲-Taste (11) oder die ▼-Taste (10), um den DCS-Suchlauf zu starten.

Sobald eine Übertragung auf dem Kanal stattfindet, wird der DCS-Code (falls verwendet) erkannt und angezeigt.



Wenn Sie die PTT-Taste (12) drücken, während Sie einen gefundenen DCS-Code abhören, kehrt das Sprechfunkgerät auf dem Kanal mit dem DCS-Code in den Standby-Modus zurück.

13.11 Ruftöne

Ein Rufton weist andere darauf hin, dass Sie eine Durchsage beginnen möchten.

13.11.1 Einstellen des Ruftons

Der Twintalker 9500 verfügt über 15 Ruftöne.



- Drücken Sie die ↵-Taste (7) achtmal. „C“ wird angezeigt und der aktuelle Rufton blinkt.
- Drücken Sie die ▲-Taste (11) oder die ▼-Taste (10), um einen anderen Rufton auszuwählen.
- Drücken Sie die Taste PTT (12), um die Einstellung zu bestätigen und in den Standby-Modus zurückzukehren.

13.11.2 Senden eines Ruftons

Drücken Sie kurz die •)))-Taste (6). Der Rufton wird über den eingestellten Kanal gesendet.

13.11.3 Ruftontyp

- Drücken Sie die ↵-Taste (7) neunmal.
- Drücken Sie die ▲-Taste (11) oder die ▼-Taste (10), um den Ruftontyp zu wählen.
 1. Nur Ton 📢
 2. Ton + Vibration 📢📢
 3. Nur Vibration 📢

Drücken Sie die Taste PTT (12), um die Einstellung zu bestätigen und in den Standby-Modus zurückzukehren.

13.12 Ein-/Ausschalten des Quittungstons

Nach dem Loslassen der PTT-Taste (12) sendet das Gerät einen Quittungston, um das Übertragungsende zu bestätigen.



Einstellen des Quittungstons:

- Drücken Sie die ↵-Taste (7) zehnmal. „r0“ wird angezeigt.
- Drücken Sie die ▲-Taste (11) zum Aktivieren (ON) oder die ▼-Taste (10) zum Deaktivieren des Quittungstons (OFF).
- Drücken Sie die PTT-Taste (12), um die Auswahl zu bestätigen und in den Standby-Modus zurückzukehren.

13.13 Ein-/Ausschalten des Tastentons

Wenn eine Taste gedrückt wird, hören Sie einen kurzen Ton.



Einstellen des Tastentons:

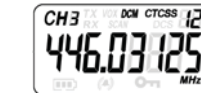
- Drücken Sie die ↵-Taste (7) elfmal. „t0“ wird angezeigt.
- Drücken Sie die ▲-Taste (11) zum Aktivieren (ON) oder die ▼-Taste (10) zum Deaktivieren des Tastentons (OFF).
- Drücken Sie die PTT-Taste (12), um die Auswahl zu bestätigen und in den Standby-Modus zurückzukehren.

13.14 Zweikanalsuchlauf (DCM)

Im Standby-Modus ist das Sprechfunkgerät auf einen Kanal mit CTCSS/DCS-Code eingestellt. Das Sprechfunkgerät empfängt nur Signale, die auf diesem Kanal und mit diesem CTCSS/DCS-Code übertragen werden.

Mit dem Zweikanalsuchlauf (DCM) können Sie einen zweiten Kanal mit CTCSS/DCS-Code überwachen.

- Drücken Sie die ↵-Taste (7) zwölfmal. „DCM OFF“ blinkt im Display.
- Drücken Sie die ▲-Taste (11) oder die ▼-Taste (10), um den Kanal zu wechseln.
- Drücken Sie die ↵-Taste (7), um die Kanalauswahl zu bestätigen und zur CTCSS-Auswahl zu gelangen. (Drücken Sie die ↵-Taste (7) erneut, um zur DCS-Auswahl zu gelangen.)
- Drücken Sie die ▲-Taste (11) oder die ▼-Taste (10), um den CTCSS-Code oder den DCS-Code zu wechseln.
- Drücken Sie die Taste PTT (12), um die Einstellung zu bestätigen und in den Standby-Modus zurückzukehren.
- Zum Deaktivieren der Funktion wählen Sie „OFF“, wenn Sie den DCM-Kanal auswählen.



Bei aktivierter Zweikanalabfrage wechselt das Sprechfunkgerät abwechselnd zwischen dem Standby-Kanal + CTCSS/DCS-Code und dem Zweikanal + CTCSS/DCS hin und her.

13.15 Tastensperre



- Halten Sie die ↔-Taste (7) drei Sekunden lang gedrückt, um die Tastensperre zu aktivieren. Das Tastensperre-Symbol wird im LCD-Display angezeigt.
- Halten Sie die Taste ↔-Taste (7) erneut für 3 Sekunden gedrückt, um die Tastensperre zu deaktivieren.



Die PTT-Taste (12), die •»)-Taste (6) und die ⏏-Taste (1) funktionieren auch bei aktivierter Tastensperre.

13.16 Display-Hintergrundbeleuchtung

Um die Displaybeleuchtung einzuschalten, drücken Sie eine beliebige Taste außer der PTT-Taste (12) und der •»)-Taste (6).

Die Displaybeleuchtung leuchtet 6 Sekunden.

14 Anschluss des Kopfhörers

Der Anschluss befindet sich auf der Oberseite des Geräts (2).

Stecken Sie den Kopfhörerstecker in den Anschluss (2,5 mm Buchse).

Die kleine Taste am Kopfhörer hat dieselbe Funktion wie die PTT-Taste (12) am Gerät.

Wenn Sie die PTT-Taste (12) am Kopfhörer verwenden, müssen Sie auch in das Mikrofon des Kopfhörers sprechen..



Schließen Sie keine anderen Kopfhörer an. Ihr Gerät könnte beschädigt werden.

15 Problembeseitigung

Keine Funktion	Reinigen Sie die Batteriekontakte mit einem weichen Tuch. Tauschen Sie die Batterien/Akkus aus.
Keine Übertragung	Stellen Sie sicher, dass Sie die PTT-Taste (12) vollständig drücken, bevor Sie sprechen. Prüfen Sie die Kanalaktivität und wechseln Sie auf einen anderen, wenn der aktuelle Kanal in Benutzung ist.
Kein Empfang	Überprüfen Sie die Lautsprecherlautstärke. Stellen Sie sicher, dass Sie sich innerhalb des Empfangsbereichs des Senders befinden. Ändern Sie bei Bedarf Ihre Position.
Begrenzte Reichweite und Geräusche während der Übertragung	Die Gesprächsreichweite hängt vom Gelände ab. Stahlkonstruktionen, Betongebäude oder die Benutzung in Kraftfahrzeugen haben einen negativen Einfluss auf die Reichweite. Versuchen Sie, so viele Hindernisse wie möglich zu vermeiden. Kommunizieren Sie möglichst bei ungehindertem Sichtkontakt. Ändern Sie Ihre Position.
Störungen	Der Empfänger und Sender befinden sich zu nahe aneinander. Der Mindestabstand zwischen zwei Geräten beträgt 1,5 m.

16 Technische Eigenschaften

Kanäle	8
Subcode	CTCSS 38 / DCS 83
Frequenz	446,00625 MHz - 446,09375 MHz
Reichweite	Bis zu 10 km (im Freien)
Batterie/Akku	Wiederaufladbarer 3,7 V Li-Ionen-Akku
Sendeleistung	=< 500 mW ERP
Modulationstyp	FM - F3E
Kanalabstand	12,5 kHz
Netzteil Duo-Ladegerät	Eingang: 230 V AC / 50 Hz - Aus: 7,5 V DC / 750mA

Channel Frequency Chart:		CTCSS Code Chart							
Channel	Frequency (MHz)	Code	Frequency (Hz)	Code	Freq. (Hz)	Code	Freq. (Hz)	Code	Freq. (Hz)
1	446,00625	0	Disabled	10	94,8	20	131,8	30	186,2
2	446,01875	1	67,0	11	97,4	21	136,5	31	192,8
3	446,03125	2	71,9	12	100,0	22	141,3	32	203,5
4	446,04375	3	74,4	13	103,5	23	146,2	33	210,7
5	446,05625	4	77,0	14	107,2	24	151,4	34	218,1
6	446,06875	5	79,7	15	110,9	25	156,7	35	225,7
7	446,08125	6	82,5	16	114,8	26	162,2	36	233,6
8	446,09375	7	85,4	17	118,8	27	167,9	37	241,8
		8	88,5	18	123,0	28	173,8	38	250,3
		9	91,5	19	127,3	29	179,9		

DCS Code Chart							
No	DCS code	No	DCS code	No	DCS code	No	DCS code
0	Disabled	21	134	42	311	63	516
1	23	22	143	43	315	64	532
2	25	23	152	44	331	65	546
3	26	24	155	45	343	66	565
4	31	25	156	46	346	67	606
5	32	26	162	47	351	68	612
6	43	27	165	48	364	69	624
7	47	28	172	49	365	70	627
8	51	29	174	50	371	71	631
9	54	30	205	51	411	72	632
10	65	31	223	52	412	73	654
11	71	32	226	53	413	74	662
12	72	33	243	54	423	75	664
13	73	34	244	55	431	76	703
14	74	35	245	56	432	77	712
15	114	36	251	57	445	78	723
16	115	37	261	58	464	79	731
17	116	38	263	59	465	80	732
18	125	39	265	60	466	81	734
19	131	40	271	61	503	82	743
20	132	41	306	62	506	83	754

17 Topcom-Garantie

17.1 Garantiezeit

Topcom-Geräte haben eine 24-monatige Garantiezeit. Die Garantiezeit beginnt an dem Tag, an dem das neue Gerät erworben wurde. Die Garantie gilt nicht für normale Batterien oder wiederaufladbare Akkus (Typen AA/AAA).

Verschleißteile oder Mängel, die den Wert oder die Gebrauchstauglichkeit des Geräts nur unerheblich beeinflussen, sind von der Garantie ausgeschlossen.

Der Garantieanspruch muss durch den Originalkaufbeleg oder eine Kopie des Kaufbelegs, auf dem das Kaufdatum und das Gerätemodell ersichtlich sind, nachgewiesen werden.

17.2 Abwicklung des Garantiefalls

Senden Sie das fehlerhafte Gerät mit dem gültigen Kaufbeleg und einer ausgefüllten Service-Karte an ein Topcom Service-Zentrum.

Tritt ein Gerätefehler innerhalb der Garantiezeit auf, übernimmt Topcom oder ein autorisiertes Service-Zentrum unentgeltlich die Reparatur jedes durch einen Material- oder Herstellungsfehler aufgetretenen Defekts mittels Reparatur oder Austausch des fehlerhaften Geräts oder von Teilen des fehlerhaften Geräts. Bei einem Austausch können Farbe und Modell vom eigentlich erworbenen Gerät abweichen.

Das ursprüngliche Kaufdatum bestimmt den Beginn der Garantiezeit. Die Garantiezeit verlängert sich nicht, wenn das Gerät von Topcom oder einem seiner autorisierten Service-Zentren ausgetauscht oder repariert wird.

17.3 Garantieausschlüsse

Schäden oder Mängel, die durch unsachgemäße Handhabung oder unsachgemäßen Betrieb verursacht werden, sowie Defekte, die durch die Verwendung von Nicht-Originalteilen oder -zubehör entstehen, werden nicht von der Garantie abgedeckt.

Die Garantie deckt keine Schäden ab, die durch äußere Einflüsse entstanden sind, wie z. B. Blitzeinschlag, Wasser, Brände oder jegliche Transportschäden.

Wenn die Seriennummer des Geräts verändert, entfernt oder unleserlich gemacht wurde, kann keine Garantie in Anspruch genommen werden.

Alle Garantieansprüche erlöschen, wenn das Gerät vom Käufer repariert, verändert oder umgebaut wurde.

1 Introducción

Gracias por adquirir la unidad Twintalker 7100 Sports Pack. Se trata de un aparato de radiocomunicación de baja potencia y largo alcance de máximo 10 km. No tiene más costes de funcionamiento que los costes mínimos de recarga de la batería. El Twintalker funciona en 8 canales.

2 Finalidad

Puede utilizarse con fines recreativos. Por ejemplo: para mantener la comunicación si se viaja en dos o más coches, si se viaja en bicicleta o si se practica esquí. Puede emplearse para mantenerse en contacto con los niños mientras juegan en el exterior, etcétera.

3 Marcado CE

El sello CE en la unidad, el manual de usuario y la caja corrobora la conformidad del equipo con los requerimientos básicos de la directiva R&TTE 1995/5/EC.

4 Instrucciones de seguridad

4.1 General

Lea atentamente la siguiente información de seguridad y uso apropiado. Familiarícese con todas las funciones del aparato. Guarde este manual en un lugar seguro para futuras consultas.

4.2 Quemaduras

- No tocar la antena si se daña la tapa; si una antena entra en contacto con la piel durante una transmisión, puede provocar una pequeña quemadura.
- Las pilas pueden ocasionar daños como quemaduras al contacto de los terminales expuestos con cualquier material conductor como joyas, llaves o cadenas, ya que el material puede completar un circuito eléctrico (cortocircuito) y calentarse bastante. Tenga cuidado al manipular pilas cargadas, sobre todo si las mete con otros objetos metálicos en un bolsillo, en un bolso o en otro lugar.

4.3 Lesiones

- No colocar el dispositivo en la zona situada sobre un airbag ni en su radio de acción. Los airbags se inflan con mucha fuerza. Si se coloca un PMR en el radio de acción de un airbag y éste se infla, el comunicador puede salir propulsado con gran fuerza y causar lesiones graves a los ocupantes del vehículo.
- Mantener el PMR a al menos 15 centímetros de los marcapasos.
- Apagar el aparato en cuanto se produzcan interferencias con cualquier equipo médico.

4.4 Riesgo de explosión

- No sustituir las pilas en un ambiente potencialmente explosivo. Durante la instalación o la retirada de las pilas pueden producirse chispas y causar una explosión.
- Apagar el PMR siempre que se esté en una zona con un ambiente potencialmente explosivo. Las chispas en esas zonas pueden provocar explosiones o incendios que pueden causar lesiones corporales e incluso la muerte.
- No desechar nunca las pilas al fuego; éstas pueden explotar.



Aunque no siempre es así, las zonas con ambientes potencialmente explosivos suelen estar claramente marcadas. Entre ellas se cuentan las zonas de repostaje como las situadas bajo cubierta en los barcos o las instalaciones de almacenamiento o transferencia de sustancias químicas o combustible; zonas en las que el aire contiene sustancias químicas o partículas como grano, polvo o polvo metálico; y cualquier otra zona en la que suele recomendarse apagar el motor de los vehículos.

4.5 Riesgo de envenenamiento

- Mantener las pilas fuera del alcance de los niños.

4.6 Cuestiones legales

- En algunos países está prohibido utilizar el PMR mientras se conduce. Si es el caso, deje de conducir antes de utilizar el aparato.
- Apagar la unidad en los aviones cuando se solicite. Cualquier uso de ella debe cumplir las regulaciones de la línea aérea o las instrucciones de la tripulación.
- Apagar la unidad en cualquier instalación en la que se solicite mediante avisos. Los hospitales o centros sanitarios pueden usar equipo sensible a la energía externa de RF.
- La sustitución o la modificación de la antena puede afectar a las especificaciones del PMR y violar las regulaciones CE. Las antenas no autorizadas también pueden dañar la radio.

4.7 Notas

- No tocar la antena durante la transmisión; podría afectar al alcance.
- Quitar las pilas si no se va a utilizar el dispositivo durante mucho tiempo.

5 Limpieza y mantenimiento

- Limpiar la unidad con un paño suave humedecido. No emplear productos de limpieza ni disolventes; podrían dañar la carcasa, filtrarse y causar daños permanentes.
- Limpiar los contactos de las pilas con un paño seco sin hilachos.
- Si la unidad se moja, apagarla y retirar las pilas de inmediato. Secar el compartimento de las pilas con un paño suave para reducir al mínimo los posibles daños. Dejar el compartimento de las pilas sin la tapa hasta el día siguiente o hasta que se seque por completo. No usar la unidad hasta que esté totalmente seca.

6 Eliminación del dispositivo (medio ambiente)



Al final de su vida útil este producto no debe ser desechado en un contenedor normal, sino en un punto de recolección destinado al reciclaje de equipos eléctricos y electrónicos. Tanto en el producto como en el manual de usuario y en la caja se incluye este símbolo.

Si usted los lleva a un punto de reciclaje, algunos de los materiales del producto podrán reutilizarse. La reutilización de algunas de las piezas o materias primas de estos productos supone una importante contribución a la protección del medio ambiente. Si necesita más información sobre los puntos de reciclaje existentes en su zona, póngase en contacto con las autoridades locales correspondientes.

7 Uso de un dispositivo PMR

Para que la comunicación entre dispositivos PMR sea posible, deben estar en el mismo canal y código CTCSS / DCS (véase el apartado “13.7 CTCSS (sistema silenciador con código por tono continuo) / DCS (silenciador con código digital)”) y dentro del alcance (máximo 10 km en campo abierto). Dado que utilizan bandas de frecuencias libres (canales), todos los dispositivos activos comparten estos canales (8 en total). Por tanto, la privacidad no está garantizada. Cualquier persona con un PMR en el mismo canal puede escuchar cualquier conversación transmitida a través de él. Para comunicarse (transmitir una señal de voz) debe pulsar el botón PTT **12**. Una vez pulsado este botón, el dispositivo pasará al modo de transmisión y se podrá hablar a través del micrófono. Todos los demás dispositivos PMR que se encuentren dentro del alcance, en el mismo canal y en el modo de espera (sin transmitir) oirán el mensaje. Para poder responder a un mensaje, hay que esperar a que la otra parte deje de transmitir. Al final de cada transmisión, la unidad emitirá un pitido si está activado el pitido Roger de «corto y cambio» (consulte el apartado “13.12 Activación y desactivación del pitido Roger”). Para responder, solo hay que pulsar el botón PTT **12** y hablar a través del micrófono.



Si dos o más usuarios pulsan el botón PTT **12 a la vez, el receptor recibirá solo la señal más fuerte y la/s otra/s señal/es se suprimirá/n. Por consiguiente, usted debe únicamente transmitir una señal (pulse el botón PTT **12**) cuando el canal esté libre.**



El alcance de las ondas de radio se verá fuertemente afectado por obstáculos, como edificios, estructuras metálicas o de hormigón, árboles, plantas, la irregularidad del terreno, etcétera. Esto implica que, en algunos casos extremos, el alcance entre dos o más dispositivos PMR puede verse restringido a unas pocas decenas de metros. En seguida se percatará de que el dispositivo PMR funciona mejor cuando hay un mínimo de obstáculos entre los usuarios.

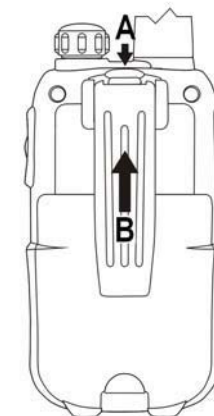
8 El paquete incluye:

- 2 Twintalker 9500
- 2 cargadores de sobremesa
- 2 adaptadores de corriente
- 8 pilas AAA de NiMH
- Manual de usuario
- Tarjeta con dirección de servicio técnico y teléfono de asistencia

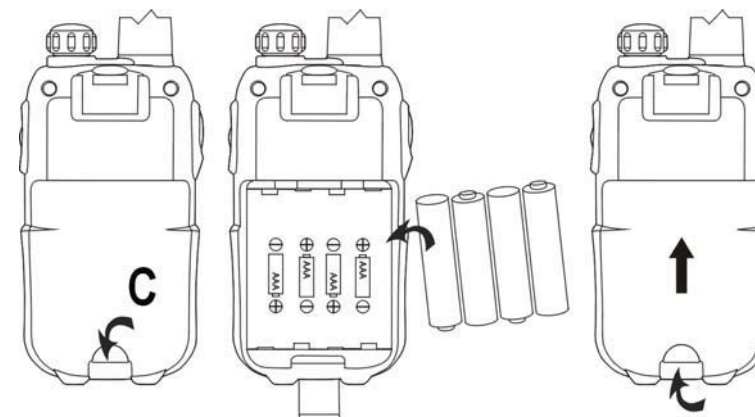
9 Introducción

9.1 Retirada e instalación del clip del cinturón

1. Empuje el clip del cinturón (B) hacia la antena y tire de la pestaña (A) para retirarlo de la unidad.
2. Vuelva a instalar el clip del cinturón; un clic indicará que está bien colocado.



9.2 Instalación de las pilas



1. Retire el clip del cinturón (consulte el apartado “9.1 Retirada e instalación del clip del cinturón”).
2. Levante la tapa de las pilas tirando con cuidado del enganche (C) con la uña.
3. Instale las pilas NiMH. Asegúrese de que la polaridad de las pilas es correcta.
4. Cierre la tapa de las pilas.
5. Vuelva a colocar el clip del cinturón.

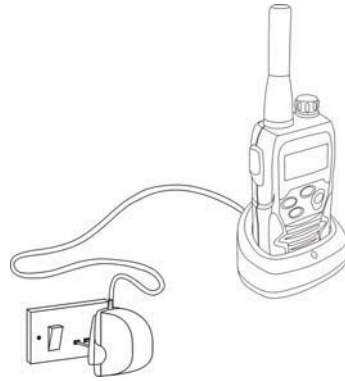
10 Carga de las pilas

Hay dos formas de cargar la pila del dispositivo PMR:

10.1 Utilizando el cargador de sobremesa

El cargador de sobremesa permite cargar la pila cómodamente.

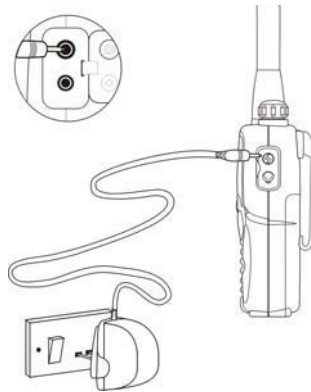
1. Coloque el cargador de sobremesa sobre una superficie plana.
2. Enchufe un extremo del adaptador suministrado a una toma de corriente fácilmente accesible y el otro extremo al conector de la parte trasera del cargador de sobremesa (28). (Consulte la imagen 3 de la página doblada de la portada.)
3. Coloque la radio en el cargador tal como se indica.
4. El LED de carga (29) se encenderá si se ha colocado correctamente y ha comenzado a cargarse. (Consulte la imagen 3 de la página doblada de la portada.)



10.2 Conectando el adaptador de corriente directamente al dispositivo PMR

1. Enchufe el conector del adaptador de corriente directamente a la conexión para el cargador (3) del PMR.

Las pilas tardarán entre 8 y 10 horas en cargarse por completo.



No pulse el botón PTT (12) del PMR mientras se están cargando.



No cortocircuite las pilas ni las tire al fuego. Retírelas si no va a utilizar el dispositivo durante mucho tiempo. No utilice el cargador para recargar pilas que no sean recargables, como las pilas alcalinas. El dispositivo PMR y el cargador podrían resultar dañados.

11 Descripción

Consulte la imagen 1 de la página doblada de la portada.

1. Interruptor de encendido / apagado y volumen
2. Pantalla LCD
3. Conexión del cargador
4. Conexión de auriculares
5. LED TX (encendido cuando se transmite)
6. Botón de llamar
7. Botón de menú
 - Accede a la configuración del menú.
8. Micrófono
9. Altavoz
10. Botón de bajar
 - Selecciona la opción anterior del menú.
11. Botón de subir
 - Selecciona la opción siguiente del menú.
12. Botón PTT
13. Antena

Consulte la imagen 3 de la página doblada de la portada.

28. Conexión del cargador
29. LED del cargador (encendido cuando se carga)

12 Información de la pantalla LCD

Consulte la imagen 2 de la página doblada de la portada.

14. Indicación CTCSS
15. Indicación DCS
16. Valor CTCSS / DCS
17. Indicación de frecuencia en MHz
18. Indicación de MHz
19. Icono de bloqueo del teclado
20. Indicación del tipo de recepción de llamadas
21. Indicación del nivel de pilas
22. Número de canal
23. Icono RX
 - Aparece cuando se está recibiendo.
24. Icono TX
 - Aparece cuando se está transmitiendo.
25. Indicación VOX
26. Indicación de barrido
27. Indicación del modo de canal dual (DCM)

13 Uso del Twintalker 9500



Las imágenes de las pantallas incluidas en las siguientes páginas solo muestran los iconos o la información relacionada con las funciones que se explican en el texto.

13.1 Encender y apagar el dispositivo PMR



- Gire el botón de encendido / apagado y volumen ① en el sentido de las agujas del reloj. Un clic le indicará que el dispositivo PMR está encendido.
- Gire el botón de encendido / apagado y volumen ① en el sentido contrario a las agujas del reloj hasta el tope. Un clic le indicará que el dispositivo PMR está apagado.

13.2 Nivel de carga de la pila / Indicación de carga baja

El nivel de carga de las pilas está indicado por el número de rectángulos presentes en el interior del icono de la pila en la pantalla LCD.



- Carga completa
- 2/3 de la carga
- 1/3 de la carga
- Pila agotada

Cuando el nivel de carga de las pilas es bajo, el icono de la pila parpadea y emite un pitido para avisar de la necesidad de cambiar o recargar las pilas.

13.3 Ajuste del volumen del altavoz

- Gire el botón de encendido / apagado y volumen ① para subir el volumen del altavoz.
- Gírelo en sentido contrario a las agujas del reloj para bajar el volumen.

13.4 Recepción de una señal

Cuando está encendida pero sin transmitir, la unidad se encuentra en modo de recepción.



Para que otras personas puedan recibir una transmisión, deben encontrarse en el mismo canal y tener el mismo código CTCSS o DCS que el emisor. (Consulte los apartados “13.6 Cambio de canales” y “13.7 CTCSS (sistema silenciador con código por tono continuo) / DCS (silenciador con código digital)”.)
Puede seleccionar CTCSS o DCS, pero nunca al mismo tiempo.

13.5 Transmisión de una señal



- Mantenga pulsado el botón PTT ⑫ para transmitir. Aparecerá el símbolo TX.
- Mantenga la unidad en posición vertical con el micrófono a 10 cm de la boca y hable a través de él.
- Suelte el botón PTT ⑫ cuando quiera dejar de transmitir.



Para comprobar la actividad que hay en el canal, utilice la función de rastreo (consulte el apartado “13.8 Rastreo”).

13.6 Cambio de canales



- Pulse una vez el botón ↗ ⑦. El número del canal actual parpadea en la pantalla.
- Pulse el botón ▲ ⑪ o el botón ▼ ⑩ para cambiar el canal.
- Pulse el botón PTT ⑫ para confirmar y regresar al modo de espera.



Si no se pulsa ningún botón en 5 segundos mientras se está configurando, la unidad volverá al modo de espera.

13.7 CTCSS (sistema silenciador con código por tono continuo) / DCS (silenciador con código digital)

Los dispositivos PMR que no necesitan licencia y funcionan en la banda de frecuencia de 446 MHz, como el Twintalker 9500, tienen 8 canales de radio disponibles. Si hay muchos usuarios de dispositivos PMR en las cercanías, algunos de ellos podrían estar utilizando el mismo canal de radio.

Para que no reciba la señal de otros usuarios, se han integrado subcanales.

Dos dispositivos PMR solo podrán comunicarse entre sí si utilizan el mismo canal de radio y han seleccionado exactamente el mismo subcanal.

Hay dos tipos de subcanales:

- Sistema silenciador con código por tono continuo (CTCSS)
- Silenciador con código digital (DCS)

Si se utiliza el CTCSS, se transmitirá un tono de baja frecuencia (entre 67 y 250 Hz) junto con la señal de voz. Hay 38 tonos diferentes para elegir. Puede seleccionar uno de estos 38 tonos. Como consecuencia del filtrado, los tonos no suelen ser audibles para que no interfieran en la comunicación.

El DCS es parecido al CTCSS, pero en lugar de emitir un tono continuo en la frecuencia seleccionada, se añade una transmisión digital de datos a la señal de radio. Este código digital se transmite a una velocidad muy lenta, de aproximadamente 134 bits por segundo (el código tiene una longitud de 23 bits). Solo los dispositivos PMR de última generación son compatibles con el DCS. Hay 83 códigos DCS disponibles para su uso. Dado que los modelos más antiguos solo son compatibles con el CTCSS, se recomienda utilizar el DCS para evitar escuchar a otros usuarios durante las conversaciones con el dispositivo PMR.

13.7.1 CTCSS



- Pulse el botón \rightarrow ⑦ dos veces: en la pantalla parpadearán «CTCSS» y el código actual de CTCSS.
- Pulse el botón ▲ ⑪ o el botón ▼ ⑩ para cambiar a otro código.
- Pulse el botón PTT ⑫ para confirmar y regresar al modo de espera.

13.7.2 DCS



- Pulse el botón \rightarrow ⑦ tres veces: en la pantalla parpadearán «DCS» y el código actual de DCS.
- Pulse el botón ▲ ⑪ o el botón ▼ ⑩ para cambiar a otro código.
- Pulse el botón PTT ⑫ para confirmar y regresar al modo de espera.



Para desactivar el CTCSS o el DCS, seleccione el código «00» para CTCSS o para DCS en el menú. Una vez confirmada la entrada, aparecerá «OFF» (desactivado) en pantalla.

13.8 Rastreo

La función de rastreo se puede utilizar para buscar señales más débiles en el canal activo.

- Pulse simultáneamente el botón \rightarrow ⑦ y el botón ▼ ⑩ para activar el rastreo de canal.
- Pulse el botón \rightarrow ⑦ para detener el rastreo.



Durante el rastreo de canal, el circuito del receptor en el dispositivo PMR no captará los códigos CTCSS o DCS.

13.9 Selección de VOX

El PMR admite la transmisión activada por voz (VOX). En el modo VOX, la radio transmitirá una señal cuando se active mediante su voz o cualquier otro sonido que se produzca a su alrededor. No se recomienda el uso de este modo en entornos ruidosos o con viento.



El modo VOX se cancela al pulsar el botón PTT ⑫.



- Pulse el botón \rightarrow ⑦ 4 veces. La configuración actual de VOX parpadea en la pantalla y aparece el icono VOX.
- Pulse el botón ▲ ⑪ para configurar el nivel de sensibilidad de la función VOX entre 1 y 3 (el nivel 3 es el más sensible).
- Para desactivar la función VOX, pulse el ▼ botón ⑩ hasta que **aparezca** «OFF» en la pantalla.
- Pulse el botón PTT ⑫ para confirmar y regresar al modo de espera.

13.10 Barrido de canal

El barrido de canal busca señales activas en un bucle continuo del canal 1 al 8. En cuanto se localiza un canal activo, tiene la opción de buscar el código CTCSS o DCS configurado por el usuario que está transmitiendo en dicho canal.

13.10.1 Barrido en busca de un canal de radio activo



- Pulse el botón \rightarrow ⑦ 5 veces: en la pantalla parpadearán «SCAN» y el canal actual.
- Pulse el botón ▲ ⑪ o el botón ▼ ⑩ para comenzar el barrido de canal.

En cuanto se localiza un canal activo, el barrido se detiene y puede escuchar la transmisión. Cuando la transmisión en dicho canal se detiene, el barrido se reanuda automáticamente.



Si pulsa el PTT botón ⑫ mientras está escuchando el canal que acaba de localizar, el dispositivo PMR entrará en el modo de espera de dicho canal.

13.10.2 Barrido en busca de un código CTCSS

Cuando localice un canal activo, pulse el PTT botón ⑫ para seleccionar dicho canal. A continuación, podrá buscar el código CTCSS / DCS que utiliza el usuario del canal que acaba de encontrar.



- Pulse el botón \rightarrow ⑦ seis veces: en la pantalla parpadearán «SCAN» y «CTCSS 00» del canal de radio seleccionado.
- Pulse el botón ▲ ⑪ o el botón ▼ ⑩ para comenzar el barrido CTCSS.

En cuanto comience la transmisión en el canal, se detectará y se mostrará en pantalla el código CTCSS (si se utiliza).



- Si pulsa el botón PTT (12) mientras está escuchando el código CTCSS que acaba de localizar, el dispositivo PMR entrará en el modo de espera del canal con dicho código.
- Si no se detecta ningún código CTCSS, el usuario podría haber seleccionado un código DCS. En este caso, deberá realizar un barrido del código DCS (apartado 13.10.3).

13.10.3 Barrido en busca de un código DCS



- Pulse el botón ↵ (7) siete veces: en la pantalla parpadearán «SCAN» y «DCS 00» del canal de radio seleccionado.
- Pulse el botón ▲ (11) o el botón ▼ (10) para comenzar el barrido de DCS.

En cuanto comience la transmisión en el canal, se detectará y se mostrará en pantalla el código DCS (si se utiliza).



Si pulsa el botón PTT (12) mientras está escuchando el código DCS que acaba de localizar, el dispositivo PMR entrará en el modo de espera del canal con dicho código.

13.11 Tonos de llamada

El tono de llamada avisa a otros de su deseo de hablar.

13.11.1 Configuración del tono de llamada

El Twintalker 9500 tiene 15 tonos de llamada.



- Pulse el botón ↵ (7) 8 veces. En la pantalla aparecerá «C» y parpadeará el tono de llamada actual.
- Pulse el botón ▲ (11) o el botón ▼ (10) para cambiar a otro tono de llamada.
- Pulse el botón PTT (12) para confirmar y regresar al modo de espera.

13.11.2 Envío de un tono de llamada

Pulse el botón «») (6) brevemente. El tono de llamada se transmitirá en el canal establecido.

13.11.3 Tipo de recepción del tono de llamada

- Pulse el botón ↵ (7) nueve veces.
- Pulse el botón ▲ (11) o el botón ▼ (10) para seleccionar el tipo de recepción del tono de llamada.
 1. Tono únicamente
 2. Tono y vibración
 3. Vibración únicamente

Pulse el botón PTT (12) para confirmar y regresar al modo de espera.

13.12 Activación y desactivación del pitido Roger

Una vez soltado el botón PTT (12), la unidad enviará un pitido Roger para confirmar que se ha dejado de hablar.



Para establecer el pitido Roger:

- Pulse el botón ↵ (7) diez veces. Aparecerá en pantalla «rO».
- Pulse el botón ▲ (11) para activar (ON) o el botón ▼ (10) para desactivar (OFF) el pitido Roger.
- Pulse el botón PTT (12) para confirmar la selección y regresar al modo de espera.

13.13 Activación y desactivación del tono de las teclas

Al pulsar un botón la unidad emitirá un breve pitido.



Para establecer el tono de las teclas:

- Pulse el botón ↵ (7) once veces. Aparecerá en pantalla «tO».
- Pulse el botón ▲ (11) para activar (ON) o el botón ▼ (10) para desactivar (OFF) el tono de las teclas.
- Pulse el botón PTT (12) para confirmar la selección y regresar al modo de espera.

13.14 Función de rastreo de canal dual

En modo de espera, el dispositivo PMR está establecido en un canal con código CTCSS / DCS. El dispositivo PMR solo recibirá las señales que se transmitan en ese canal con el código CTCSS / DCS.

El rastreo de canal dual (DCM) permite rastrear un segundo canal con código CTCSS / DCS.

- Pulse el botón ↵ (7) doce veces. En pantalla parpadeará «DCM OFF».
- Pulse el botón ▲ (11) o el botón ▼ (10) para cambiar el canal.
- Pulse el botón ↵ (7) para confirmar el canal seleccionado y pasar a la selección de CTCSS. (Pulse de nuevo el botón ↵ (7) para acceder a la selección de DCS.)
- Pulse el botón ▲ (11) o el botón ▼ (10) para cambiar el código CTCSS o DCS.
- Pulse el botón PTT (12) para confirmar y regresar al modo de espera.
- Para desactivar la función, seleccione «OFF» al seleccionar el canal DCM.



Con la función de rastreo de canal dual activada, el dispositivo PMR alternará secuencialmente entre el canal de espera + código CTCSS / DCS y el canal dual + código CTCSS / DCS.

13.15 Bloqueo de botones



- Mantenga pulsado el botón ⑦ durante 3 segundos para activar el modo de bloqueo de botones. El icono de bloqueo de botones aparecerá en la pantalla LCD.
- Mantenga pulsado el botón ⑦ de nuevo durante 3 segundos para desactivar el bloqueo de botones.



El botón PTT ⑫, el botón ⑥ y el botón ① seguirán funcionando cuando el bloqueo de botones se haya activado.

13.16 Retroiluminación de la pantalla

Para activar la retroiluminación de la pantalla LCD, pulse cualquier botón excepto el botón PTT ⑫ o el botón ⑥.

La retroiluminación de la pantalla se activará durante 6 segundos.

14 Conector de auriculares

El conector se encuentra en la parte superior de la unidad ②.

Introduzca la clavija del auricular en el conector (toma de 2,5 mm).

El botón pequeño del auricular tiene la misma función que el botón PTT ⑫ de la unidad.

Al utilizar el botón PTT ⑫ del auricular, hay que utilizar también el micrófono del auricular para hablar..



No conecte otros auriculares. Podría causar daños al dispositivo.

15 Solución de problemas

No hay corriente.	Limpie los contactos de las pilas con un paño suave. Cambie las pilas.
No hay transmisión.	Asegúrese de pulsar bien el botón PTT ⑫ antes de hablar. Supervise la actividad de los canales y cambie a otro canal, si el canal actual está siendo utilizado.
No hay recepción.	Revise el volumen del altavoz. Compruebe que está dentro de la zona de alcance del emisor y, si es necesario, cámbiese de sitio.
Alcance limitado y ruido durante la transmisión.	El alcance para hablar depende del terreno. En las construcciones de acero o de cemento y en los vehículos, la cobertura es mala. Procure evitar cualquier obstáculo y comuníquese en un recorrido despejado. Cambie de lugar.
Interferencias.	El receptor y el transmisor están demasiado próximos entre sí. La distancia mínima entre dos unidades es de 1,5 m.

16 Especificaciones técnicas

Canales	8
Subcódigo	CTCSS 38 / DCS 83
Frecuencia	446,00625-446,09375 MHz
Alcance	Hasta 10 km en campo abierto
Pila	Ion de litio de 3,7 V recargable
Potencia de transmisión	=< 500 mW ERP
Tipo de modulación	FM - F3E
Separación de canales	12,5 kHz
Adaptador para cargador dúo	Entrada: 230 V CA / 50 Hz. Salida: 7,5 V CC / 750 mA

Channel Frequency Chart:		CTCSS Code Chart							
Channel	Frequency (MHz)	Code	Frequency (Hz)	Code	Freq. (Hz)	Code	Freq. (Hz)	Code	Freq. (Hz)
1	446,00625	0	Disabled	10	94,8	20	131,8	30	186,2
2	446,01875	1	67,0	11	97,4	21	136,5	31	192,8
3	446,03125	2	71,9	12	100,0	22	141,3	32	203,5
4	446,04375	3	74,4	13	103,5	23	146,2	33	210,7
5	446,05625	4	77,0	14	107,2	24	151,4	34	218,1
6	446,06875	5	79,7	15	110,9	25	156,7	35	225,7
7	446,08125	6	82,5	16	114,8	26	162,2	36	233,6
8	446,09375	7	85,4	17	118,8	27	167,9	37	241,8
		8	88,5	18	123,0	28	173,8	38	250,3
		9	91,5	19	127,3	29	179,9		

DCS Code Chart							
No	DCS code	No	DCS code	No	DCS code	No	DCS code
0	Disabled	21	134	42	311	63	516
1	23	22	143	43	315	64	532
2	25	23	152	44	331	65	546
3	26	24	155	45	343	66	565
4	31	25	156	46	346	67	606
5	32	26	162	47	351	68	612
6	43	27	165	48	364	69	624
7	47	28	172	49	365	70	627
8	51	29	174	50	371	71	631
9	54	30	205	51	411	72	632
10	65	31	223	52	412	73	654
11	71	32	226	53	413	74	662
12	72	33	243	54	423	75	664
13	73	34	244	55	431	76	703
14	74	35	245	56	432	77	712
15	114	36	251	57	445	78	723
16	115	37	261	58	464	79	731
17	116	38	263	59	465	80	732
18	125	39	265	60	466	81	734
19	131	40	271	61	503	82	743
20	132	41	306	62	506	83	754

17 Garantía Topcom

17.1 Período de garantía

Las unidades de Topcom tienen un período de garantía de 24 meses. El período de garantía entra en vigor el día en que se adquiere la nueva unidad. No existe ninguna garantía sobre las pilas estándar o recargables (tipo AA/AAA).

La garantía no cubre los consumibles ni los defectos que tengan un efecto insignificante en el funcionamiento o en el valor del equipo.

La garantía debe demostrarse presentando el comprobante original de compra o una copia de este, en el que constarán la fecha de la compra y el modelo de la unidad.

17.2 Tratamiento de la garantía

Los aparatos averiados deberán remitirse a un servicio técnico de Topcom junto con un comprobante de compra válido y una tarjeta de servicio técnico cumplimentada.

Si la unidad tiene una avería durante el período de garantía, Topcom o su centro de servicio oficial repararán sin cargo alguno cualquier avería causada por defectos de material o fabricación, ya sea reparando o sustituyendo las unidades defectuosas o partes de las mismas. En caso de sustitución, el color y el modelo pueden variar respecto a los de la unidad adquirida inicialmente. La fecha de compra inicial determinará el comienzo del período de garantía. El período de garantía no se ampliará si Topcom o sus centros de servicio autorizados sustituyen o reparan la unidad.

17.3 Limitaciones de la garantía

Los daños o defectos ocasionados por un tratamiento o funcionamiento incorrectos, así como los daños resultantes del uso de piezas o accesorios no originales, no estarán cubiertos por esta garantía. La garantía no cubre los daños ocasionados por factores externos tales como relámpagos, agua o fuego o tampoco los daños causados durante el transporte.

La garantía no será válida si el número de serie de las unidades se cambia, se elimina o resulta ilegible. Cualquier reclamación de la garantía se invalidará si la unidad ha sido reparada, alterada o modificada por el comprador.

1 Inledning

Tack för att du har köpt Twintalker 7100 Sports Pack. Det är en lågförbrukande apparat för radiokommunikation på långdistans med en räckvidd på maximalt 10 km. Den har inga andra driftskostnader än de minimala kostnaderna för att ladda batterierna. Twintalker använder 8 kanaler.

2 Avsedd användning

Den kan användas i olika fritidssammanhang. Exempel: för att hålla kontakt under resa med två eller fler bilar, vid cykling och skidåkning. Du kan använda den för att hålla kontakt med dina barn när de är ute och leker osv.

3 CE-märkning

Apparatens, bruksanvisningens och förpackningens CE-symbol anger att enheten uppfyller de grundläggande kraven i R&TTE-direktivet 1995/5/EC.

4 Säkerhetsföreskrifter

4.1 Allmänna

Var vänlig läs noga igenom följande information beträffande säkerhet och riktig användning. Bekanta dig med apparatens alla funktioner. Spara bruksanvisningen på ett säkert ställe för framtida behov.

4.2 Brännskador

- Rör inte antennens hölje om det skadats, eftersom en antenn som kommer i kontakt med huden kan orsaka en mindre brännskada vid sändning.
- Batterier kan orsaka materiell skada som brännskador om ledande material som smycken, nycklar eller pärlkedjor kommer i kontakt med exponerade poler. Materialet kan fullborda en elektrisk krets (kortslutning) och bli mycket varm. Var försiktig vid hanteringen av alla laddade batterier, speciellt när de placeras i en ficka, väska eller annan behållare med metallföremål.

4.3 Skador

- Placera inte din apparat i området över en air-bag eller i air-bagens utvecklingsområde. Air-bagar blåses upp med stor kraft. Om en PMR placeras i air-bagens utvecklingsområde och denna utvecklas, kan kommunikationsradion slungas iväg med stor kraft och orsaka allvarliga skador på fordonets passagerare.
- Håll PMR minst 15 centimeter borta ifrån en pacemaker.
- Stäng AV din PMR så snart en interferens med en medicinsk utrustning äger rum.

4.4 Risk för explosion

- Byt inte batterier i en potentiellt explosiv miljö. Kontaktgnistor kan förekomma när batterierna sätts i eller tas ur och kan orsaka en explosion.
- Stäng av din PMR i områden med potentiellt explosiv miljö. Gnistor i sådana områden kan orsaka en explosion eller brand som kan få kroppsskada eller dödsfall till följd.
- Släng aldrig batterier i öppen eld eftersom de kan explodera.



Områden med potentiellt explosiv miljö är ofta, men inte alltid, tydligt markerade. Dessa inkluderar tankningsutrymmen under däck på båtar, överförings- eller förvaringsutrymmen för bränsle eller kemikalier, utrymmen där luften innehåller kemikalier eller partiklar som säd, damm eller metallpulver eller andra sådana utrymmen där du normalt skulle uppmanas att stänga av din fordonsmotor.

4.5 Förgiftningsfara

- Förvara batterierna utom räckhåll för små barn

4.6 Lagstiftning

- I vissa länder är det förbjudet att använda din PMR vid bilkörning. Lämna i så fall vägen innan du använder apparaten.
- Stäng AV din PMR ombord på flyg när du uppmanas att göra det. All användning av PMR måste vara i enlighet med flygföreskrifter eller besättningens instruktioner.
- Stäng AV din PMR i alla utrymmen där instruktioner finns uppsatta att göra det. Sjukhus eller vårdinrättningar kan använda utrustning som är känslig för extern RF-energi.
- Utbyte eller modifiering av antennen kan påverka PMR-radions specifikationer och bryta mot CE-lagstiftningen. Otillåtna antenner kan också skada radion.

4.7 OBS

- Rör inte antennen vid sändning eftersom det kan påverka räckvidden.
- Avlägsna batterierna om apparaten inte ska användas under en längre tid.

5 Rengöring och underhåll

- För att rengöra apparaten, torka av med ett mjukt tyg fuktat med vatten. Använd inte rengörings- eller lösningsmedel på apparaten. De kan skada höljet och läcka in och därmed orsaka permanent skada.
- Batterikontakter kan torkas av med ett torrt, luddfritt tyg.
- Om apparaten blir våt, stäng av den och avlägsna genast batterierna. Torka batterifacket med ett mjukt tyg för att minimera eventuella vattenskadorna. Lämna locket till batterifacket av över natten eller tills det är helt torrt. Använd inte apparaten förrän den är helt torr.

6 Avyttring av apparaten (miljö)



Vid slutet av produktens livslängd ska du inte kasta den bland vanligt hushållsavfall utan ta den till ett insamlingsställe för återvinning av elektrisk och elektronisk utrustning. Symbolen på produkten, bruksanvisningen och/eller förpackningen anger detta.

Vissa av apparatens material kan återanvändas om du tar den till ett återvinningsställe. Genom att återanvända vissa delar eller råmaterial från använda produkter, kan du göra en betydande insats för att skydda miljön. Var vänlig kontakta dina lokala myndigheter för mer information om insamlingsställen i ditt område.

7 Användning av en PMR-apparat

För att kommunikationen mellan PMR-apparater ska fungera måste alla vara inställda på samma kanal och CTCSS/DCS-kod (se kapitel "13.7 CTCSS (Continuous Tone Coded Squelch System)

/ DCS (Digital Coded Squelch)”) och finns inom samma mottagningsområde (upp till max. 10 km i öppen terräng). Eftersom dessa apparater använder fria frekvensband (kanaler), delar alla apparater i drift dessa kanaler (totalt 8 kanaler). Därför garanteras ingen sekretess. Alla med en PMR inställd på din kanal kan lyssna på konversationen. Om du vill kommunicera (sända en röstsignal) måste du trycka på PTT-knappen (12).

När knappen tryckts in, går apparaten in i sändningsläge och du kan tala i mikrofonen. Alla andra PMR-apparater i området, på samma kanal och i vänteläge (inte sändande) kan höra ditt meddelande. Du måste vänta tills den andra parten slutar sända innan du kan svara på meddelandet. Vid slutet av varje sändning skickar apparaten en ljudsignal om roger-pipet är aktivt (se kapitel “13.12 Roger-pip På/Av”). För att svara, tryck på PTT-knappen (12) och tala i mikrofonen.



Om 2 eller fler användare trycker på PTT-knappen (12) samtidigt tar mottagaren bara emot den starkaste signalen och övriga signaler (en eller flera) ignoreras. Du bör därför endast sända en signal (tryck på PTT-knappen (12)) när kanalen är ledig.



Räckvidden för radiovågor påverkas kraftigt av hinder som byggnader, betong-/metallkonstruktioner, kuperat landskap, skogsområden, växtlighet osv. Detta innebär att räckvidden mellan två eller flera PMR-apparater i vissa extrema fall kan begränsas till maximalt några tiotal meter. Du kommer snart att upptäcka att PMR fungerar som bäst när det finns så få hinder som möjligt mellan användarna.

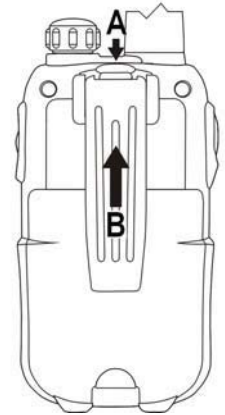
8 Förpackningens innehåll

- 2 x Twintalker 9500
- 2 x Bordsladdare
- 2 x Strömadapter
- 8 x AAA-batterier av NiMh-typ
- Bruksanvisning
- Kort med serviceadresser och kostnadsfritt hjälpsnummer

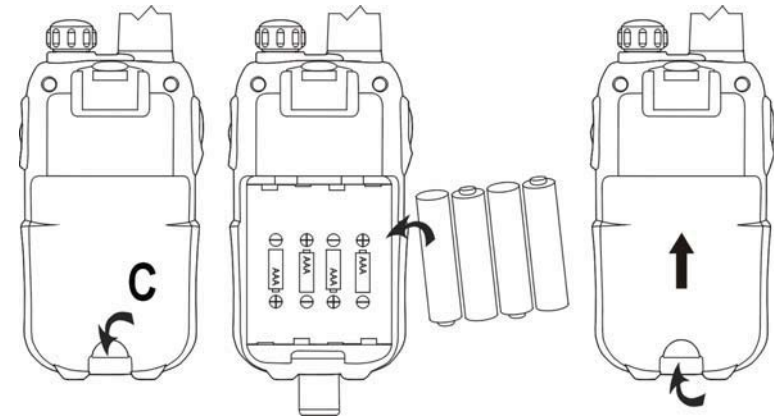
9 Komma igång

9.1 Sätt i/ta av bälteshållaren

1. För att ta bort bälteshållaren från enheten ska du trycka hållaren (B) mot antennen samtidigt som du drar i hållarens flik (A).
2. När bälteshållaren sätts tillbaka visar ett klick att den har satts korrekt på plats.



9.2 Installation av batteri



1. Ta bort bälteshållaren (se kapitel “9.1 Sätt i/ta av bälteshållaren”).
2. Ta bort batteriluckan genom att försiktigt trycka på luckspärren (C) med nageln.
3. Installera NiMh-batterierna. Kontrollera att NiMh-batterierna är vända åt rätt håll.
4. Stäng batteriluckan.
5. Sätta tillbaka bälteshållaren

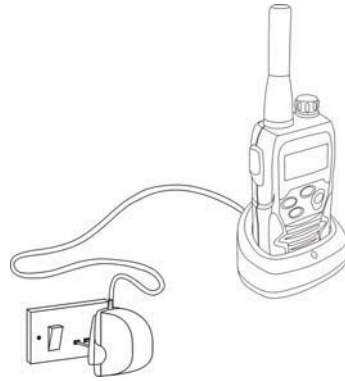
10 Ladda batterierna

Det finns två sätt att ladda PMR-apparatens batterier:

10.1 Använda bordsladdaren

Bordsladdaren är bekväm i och med att du bara behöver ställa apparaten i den för att starta laddningen.

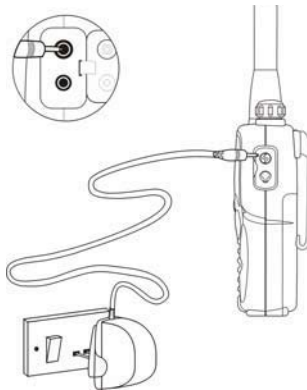
1. Placera skrivbordsladdaren på en plant underlag.
2. Sätt in den ena änden av den medföljande adaptern i ett lättillgängligt vägguttag, och den andra änden i kontakten på bordsladdarens baksida (28) (se illustrationen på det utvikbara omsättsbladet - bild 3)
3. Placera radion i laddaren såsom anges.
4. Laddningslampan (29) tänds om apparaten sätts in rätt och laddas. (Se utvikbart omsättsblad - bild 3.)



10.2 Ansluta strömadaptern direkt till PMR-apparaten.

1. Anslut strömadapterns kontakt direkt i laddningsuttaget på (3) PMR-apparaten.

Det tar ca. 8 till 10 timmar att ladda batterierna helt



Tryck inte på PTT-knappen (12) på PMR-apparaterna medan de laddas!



Kortslut inte batterier och kasta dem inte i öppen eld. Ta ut batterierna om du inte ska använda enheten under en längre tid. Ladda inte standardbatterier som inte är avsedda för uppladdning, t.ex. alkaliska batterier, i laddaren. Detta kan skada PMR-apparaterna och laddaren.

11 Beskrivning

Se det utvikbara omsättsbladet - bild 1

1. PÅ/AV-volymknapp
2. LCD-display
3. Ingång för laddaren
4. Headset-anslutning
5. Sändningslampa (lyser vid sändning)
6. Uppringningsknapp
7. Menyknapp
 - Öppnar menyinställningarna
8. Mikrofon
9. Högtalare
10. Ned-knapp
 - Väljer föregående värde i menyn.
11. Upp-knapp
 - Väljer nästa värde i menyn.
12. PTT-knapp
13. Antenn

Se det utvikbara omsättsbladet - bild 3

28. Ingång för laddaren
29. Laddningslampa (lyser vid laddning)

12 Information på LCD-skärmen

Se det utvikbara omsättsbladet - bild 2

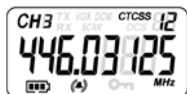
14. CTCSS-indikering
15. DCS-indikering
16. CTCSS/DCS-värde
17. Frekvensindikering i MHz
18. MHz-indikering
19. Ikon för knapplös
20. Indikering för typ av anropsmottagning
21. Batterinivåindikation
22. Kanalnummer
23. RX-ikon
 - Visas vid mottagning
24. TX-ikon
 - Visas vid sändning
25. VOX-indikering
26. Sökindikering
27. Indikering av tvåkanalsläge (Dual Channel Mode – DCM)

13 Användning av Twintalker 9500



De skärmbilder som förekommer på de nästkommande sidorna visar endast de ikoner eller uppgifter som berör de funktioner som förklaras i texten.

13.1 Slå på/av PMR-radion



- Vrid På-Av/volymknappen ① medurs. Ett klickljud anger att PMR-radion har slagits på.
- Vrid På-Av/volymknappen ① moturs så långt det går. Klickljudet anger att PMR-radion har stängts av.

13.2 Indikering av batteriets laddningsnivå och batterivarning

Batteriets laddningsnivå representeras av det antal rutor som visas inuti batteriikonen på LCD-skärmen.



- Batteri fullt
- Batteriet laddat 2/3
- Batteriet laddat 1/3
- Batteriet tomt

När batteriets laddningsnivå är låg, blinkar batteriikonen och en ljudsignal avges för att indikera att batterierna behöver bytas ut eller laddas.

13.3 Justera högtalarvolymen

- Vrid På-Av/volymknappen ① medurs för att höja högtalarvolymen.
- Vrid den moturs för att sänka volymen.

13.4 Ta emot en signal

Enheten är hela tiden i mottagarläge när apparaten är påslagen och inte sänder.



För att andra personer ska kunna ta emot din sändning, måste de också vara på samma kanal och ha ställt in samma CTCSS- eller DCS-kod. (Se kapitel "13.6 Byta kanaler" och "13.7 CTCSS (Continuous Tone Coded Squelch System) / DCS (Digital Coded Squelch)"). Endera CTCSS eller DCS kan användas, men inte båda på samma gång.

13.5 Sända en signal



- Tryck på och håll in PTT-knappen ⑫ för att sända. TX-symbolen visas.
- Håll apparaten i vertikalt läge med mikrofonen 10 cm från munnen och tala in i mikrofonen.
- Släpp PTT-knappen ⑫ när du vill sluta sända.



Använd övervakningsfunktionen för att kontrollera kanalaktiviteten (se kapitel "13.8 Kanalövervakning").

13.6 Byta kanaler



- Tryck på ↔-knappen ⑦ en gång och det nuvarande kanalnumret blinkar i teckenfönstret.
- Tryck på ▲-knappen ⑪ eller ▼-knappen ⑩ för att byta kanal.
- Tryck på PTT-knappen ⑫ för att bekräfta och återgå till vänteläge.



Om ingen knapp trycks in inom 5 sekunder under inställningen, återgår apparaten till vänteläge.

13.7 CTCSS (Continuous Tone Coded Squelch System) / DCS (Digital Coded Squelch)

Licensfria PMR-radioapparater som används på 446 MHz-frekvensbandet, som Twintalker 9500 PMR, har 8 radiokanaler tillgängliga. Om det finns många PMR-användare i närområdet finns det risk för att vissa av dessa användare utnyttjar samma radiokanal.

För att undvika att du tar emot signaler från andra användare har underordnade kanaler introducerats.

Två PMR-apparater kan endast kommunicera med varandra när de körs på samma radiokanal, och har valt exakt samma underkanal.

Det finns två sorters underkanaler:

- CTCSS (Continuous Tone Coded Squelch System)
- DCS (Digital Coded Squelch)

När CTCSS används sänds en lågfrekvent ton (på mellan 67 och 250 Hz) tillsammans med röstsignalen. Det finns 38 olika toner att välja mellan. Du kan välja vilken som helst av dessa 38 tillgängliga toner. På grund av filtrering kommer dessa toner i allmänhet inte att kunna höras, vilket innebär att de inte stör kommunikationen.

DCS liknar CTCSS, men i stället för att kontinuerligt sända en ton med vald frekvens, adderas en digital dataöverföring till radiosignalen. Denna digitala kod sänds med en synnerligen låg hastighet, ungefär 134 bitar per sekund (koden är 23 bitar lång). Endast PMR-apparater ur den senaste generationen har stöd för DCS. Det finns 83 tillgängliga DCS-koder att välja mellan. Eftersom tidigare modeller endast stöder CTCSS är det bättre att använda DCS om du vill förhindra att andra användare hörs under din PMR-kommunikation.

13.7.1 CTCSS



- Tryck på ↔-knappen (7) två gånger: "CTCSS" och nuvarande CTCSS-kod blinkar på skärmen.
- Tryck på ▲-knappen (11) eller ▼-knappen (10) för att byta till en annan kod.
- Tryck på PTT-knappen (12) för att bekräfta och återgå till vänteläge.

13.7.2 DCS



- Tryck på ↔-knappen (7) 3 gånger: "DCS" och nuvarande DCS-kod blinkar på skärmen.
- Tryck på ▲-knappen (11) eller ▼-knappen (10) för att byta till en annan kod.
- Tryck på PTT-knappen (12) för att bekräfta och återgå till vänteläge.



Du stänger av CTCSS eller DCS genom att välja koden "00" för CTCSS eller DCS i menyn. När inställningen bekräftas visas "OF".

13.8 Kanalövervakning

Du kan använda övervakningsfunktionen för att kontrollera svagare signaler på den aktuella kanalen.

- Tryck på ↔-knappen (7) och ▼-knappen (10) samtidigt för att aktivera kanalövervakning.
- Tryck på ↔-knappen (7) för att upphöra med kanalövervakningen.



Under pågående kanalövervakning kommer mottagaren i PMR-apparaten inte att lyssna efter CTCSS- eller DCS-koder.

13.9 VOX-val

PMR har möjlighet till röstaktiverad överföring (VOX). I VOX-läge kan radion sända en signal när den aktiveras av din röst eller annat ljud kring dig. VOX-funktionen rekommenderas inte om du planerar använda radion i bullrig eller blåsig miljö.



VOX-läget åsidosätts när du trycker på PTT-knappen (12).



- Tryck på ↔-knappen (7) 4 gånger, den nuvarande VOX-inställningen blinkar i teckenfönstret och VOX-ikonen visas.
- Tryck på ▲-knappen (11) för att ställa in VOX-funktionens känslighetsnivå på ett läge från 1 till 3 (där nivå 3 är den känsligaste).
- Tryck på ▼-knappen (10) tills "OFF" visas i teckenfönstret, för att stänga av VOX-funktionen.
- Tryck på PTT-knappen (12) för att bekräfta och återgå till vänteläge.

13.10 Kanalsökning

Med kanalsökning kan du utföra sökningar efter aktiva signaler i en ändlös slinga från kanal 1 till 8. Så snart en aktiv kanal hittas har du möjlighet att söka efter den CTCSS- eller DCS-kod som valts av användaren som sänder på kanalen.

13.10.1 Söka efter en aktiv radiokanal



- Tryck på ↔-knappen (7) 5 gånger: "SCAN" och nuvarande kanal blinkar på skärmen.
- Tryck på knappen ▲ (11) eller ▼ (10) för att starta kanalsökningen.

Så snart en aktiv kanal hittas avbryts sökningen, och du kan lyssna på överföringen. När sändningen på den hittade kanalen upphör kommer sökningen att fortsätta automatiskt.



Om du trycker på PTT-knappen (12) medan du lyssnar på en hittad kanal kommer PMR-apparaten att återgå till vänteläget och stanna kvar på denna kanal.

13.10.2 Söka efter en CTCSS-kod

När en aktiv kanal hittas trycker du på PTT-kanalen (12) för att välja den hittade, aktiva kanalen. Du kan nu söka efter den CTCSS/DCS-kod som den hittade användaren utnyttjar.



- Tryck på ↔-knappen (7) 6 gånger: "SCAN" och "CTCSS 00" blinkar på skärmen för vald radiokanal.
- Tryck på knappen ▲ (11) eller ▼ (10) för att starta CTCSS-sökningen.

Så snart en sändning upptäcks på kanalen kommer CTCSS-koden (om en sådan används) att identifieras och visas.



- Om du trycker på PTT-knappen ⑫ medan du lyssnar på en hittad CTCSS-kod kommer PMR-apparaten att återgå till vänteläget och stanna kvar på aktuell CTCSS-kod.
- Om ingen CTCSS-kod identifieras kan det vara så att användaren har valt DCS. Du kan i så fall söka efter DCS-koden. (Se avsnitt 13.10.3.)

13.10.3 Söka efter en DCS-kod



- Tryck på ↵-knappen ⑦ 7 gånger: "SCAN" och "DCS 00" blinkar på skärmen för vald radiokanal.
- Tryck på knappen ▲ ⑪ eller ▼ ⑩ för att starta DCS-sökningen.

Så snart en sändning upptäcks på kanalen kommer DCS-koden (om en sådan används) att identifieras och visas.



Om du trycker på PTT-knappen ⑫ medan du lyssnar på en hittad DCS-kod kommer PMR-apparaten att återgå till vänteläget och stanna kvar på aktuell DCS-kod.

13.11 Ringsignaler

En rington larmar andra att du vill påbörja samtal.

13.11.1 Ställa in ringsignalen

Twintalker 9500 har 15 ringtoner.



- Tryck på ↵-knappen ⑦ 8 gånger, "C" visas, och aktuell rington blinkar.
- Tryck på ▲-knappen ⑪ eller ▼-knappen ⑩ för att byta till en annan rington.
- Tryck på PTT-knappen ⑫ för att bekräfta och återgå till vänteläge.

13.11.2 Sända en ringsignal

Tryck helt kort på ●-knappen ⑥. Ringtonen sänds på den inställda kanalen.

13.11.3 Typ av ringsignalsmottagning

- Tryck på ↵-knappen ⑦ 9 gånger.
- Tryck på ▲-knappen ⑪ eller ▼-knappen ⑩ för att byta till en annan typ av ringtonsmottagning.
 1. Endast tonval 📞
 2. Tonval + vibration 📞🔊
 3. Endast vibration 📞

Tryck på PTT-knappen ⑫ för att bekräfta och återgå till vänteläge.

13.12 Roger-pip På/Av

Efter att PTT-knappen ⑫ släppts skickar apparaten ett roger-pip för att bekräfta att du slutat tala.



Inställning av roger-pip.

- Tryck på ↵-knappen ⑦ 10 gånger. "rO" visas.
- Tryck på ▲-knappen ⑪ för att aktivera (PÅ) eller ▼-knappen ⑩ för att avaktivera roger-pipet (AV).
- Tryck på PTT-knappen ⑫ för att bekräfta och återgå till vänteläge.

13.13 Knappljud på/av

När en knapp trycks in, avger enheten ett kort pip.



Ställa in knappljud.

- Tryck på ↵-knappen ⑦ elva gånger. "tO" visas.
- Tryck på ▲-knappen ⑪ för att aktivera (PÅ) eller ▼-knappen ⑩ för att avaktivera knappljuden (AV).
- Tryck på PTT-knappen ⑫ för att bekräfta valet och återgå till vänteläge.

13.14 Dubbel kanalbevakning

I vänteläge är PMR-apparaten inställd på en kanal med CTCSS/DCS-kod. PMR-apparaten tar bara emot signaler som sänds på den kanalen och med CTCSS/DCS-kod.

Med funktionen för dubbel kanalbevakning (DCM) kan du bevakna en andra kanal med CTCSS/DCS-kod.

- Tryck på ↵-knappen ⑦ tolv gånger, varpå "DCM OFF" blinkar på skärmen.
- Tryck på ▲-knappen ⑪ eller ▼-knappen ⑩ för att byta kanal.
- Tryck på ↵-knappen ⑦ för att bekräfta kanalvalet och gå till val av CTCSS. (Tryck på ↵-knappen ⑦ igen om du vill välja DCS.)
- Tryck på ▲-knappen ⑪ eller ▼-knappen ⑩ för att byta CTCSS- eller DCS-kod.
- Tryck på PTT-knappen ⑫ för att bekräfta och återgå till vänteläge.
- För att avaktivera funktionen väljer du "OFF" när du väljer DCM-kanal.



När den dubbla kanalsökningsfunktionen aktiveras, kommer PMR-apparaten att växla sekventiellt mellan väntelägeskanalen + CTCSS/DCS-koden och den dubbla kanalen + CTCSS/DCS-koden.

13.15 Knapplås



- Tryck på och håll ner ⇨-knappen ⑦ i 3 sekunder för att aktivera knapplåsläget. Knapplåsikonen visas på LCD-skärmen.
- Håll ner ⇨-knappen ⑦ igen i 3 sekunder för att avaktivera knapplåset.



PTT-knappen ⑫, •»-knappen ⑥ och ⏏-knappen ① fungerar fortfarande när knapplåset är aktiverat.

13.16 Visa bakgrundsbelysningen

Du aktiverar skärmbelysningen genom att trycka på valfri knapp, utom PTT-knappen ⑫ eller •»-knappen ⑥.

LCD-belysningen tänds i upp till 6 sekunder.

14 Anslutning för hörlurar

Anslutningsuttaget är placerat på ovsidan av apparaten ②.

Sätt i hörlurskontakten i uttaget (2,5 mm-kontakt).

Den lilla knappen på hörlurarna har samma funktion som PTT-knappen ⑫ på apparaten. När du använder hörlurarnas PTT-knapp ⑫, måste du också använda mikrofonen på hörlurssladden..



Anslut inga andra hörlurar. Det kan skada din apparat.

15 Felsökning

Ingen ström	Gör ren batteripolerna med en mjuk trasa. Byt ut batterierna.
Ingen sändning	Kontrollera att PTT-knappen ⑫ är helt intryckt innan du pratar. Bevaka kanalaktiviteten och byt till en annan kanal om den aktuella är upptagen.
Ingen mottagning	Kontrollera högtalarvolymen. Kontrollera att du är inom räckhåll för den sändande parten, och flytta på dig om det behövs.
Begränsat omfång och brus under sändning	Räckvidden för tal beror på terrängen. Stålkonstruktioner, betongbyggnader och användning inne i fordon påverkar räckvidden negativt. Försök att undvika så många hinder som möjligt och se till att ni är inom synhåll från varandra. Förflytta dig.
Störningar	Mottagaren och sändaren är för nära varandra. Minimumavståndet mellan 2 apparater är 1,5 m.

16 Tekniska specifikationer

Kanaler	8
Underkod	CTCSS 38/DCS 83
Frekvens	446,00625 MHz-446,09375 MHz
Räckvidd	Upp till 10 km (öppen terräng)
Batteri	Litiumjon 3,7 V, uppladdningsbara
Sändningseffekt	=< 500 mW ERP
Moduleringstyp	FM - F3E
Kanaldelning	12,5 kHz
Dubbelladdare adapter	In: 230 V AC/50 Hz – Ut: 7,5 V DC/750 mA

Channel Frequency Chart:		CTCSS Code Chart							
Channel	Frequency (MHz)	Code	Frequency (Hz)	Code	Freq. (Hz)	Code	Freq. (Hz)	Code	Freq. (Hz)
1	446,00625	0	Disabled	10	94,8	20	131,8	30	186,2
2	446,01875	1	67,0	11	97,4	21	136,5	31	192,8
3	446,03125	2	71,9	12	100,0	22	141,3	32	203,5
4	446,04375	3	74,4	13	103,5	23	146,2	33	210,7
5	446,05625	4	77,0	14	107,2	24	151,4	34	218,1
6	446,06875	5	79,7	15	110,9	25	156,7	35	225,7
7	446,08125	6	82,5	16	114,8	26	162,2	36	233,6
8	446,09375	7	85,4	17	118,8	27	167,9	37	241,8
		8	88,5	18	123,0	28	173,8	38	250,3
		9	91,5	19	127,3	29	179,9		

DCS Code Chart							
No	DCS code	No	DCS code	No	DCS code	No	DCS code
0	Disabled	21	134	42	311	63	516
1	23	22	143	43	315	64	532
2	25	23	152	44	331	65	546
3	26	24	155	45	343	66	565
4	31	25	156	46	346	67	606
5	32	26	162	47	351	68	612
6	43	27	165	48	364	69	624
7	47	28	172	49	365	70	627
8	51	29	174	50	371	71	631
9	54	30	205	51	411	72	632
10	65	31	223	52	412	73	654
11	71	32	226	53	413	74	662
12	72	33	243	54	423	75	664
13	73	34	244	55	431	76	703
14	74	35	245	56	432	77	712
15	114	36	251	57	445	78	723
16	115	37	261	58	464	79	731
17	116	38	263	59	465	80	732
18	125	39	265	60	466	81	734
19	131	40	271	61	503	82	743
20	132	41	306	62	506	83	754

17 Topcoms garanti

17.1 Garantiperiod

Topcoms produkter har en garantiperiod på 24 månader. Garantiperioden påbörjas den dag då enheten köps. Det finns ingen garanti på standardbatterier eller uppladdningsbara batterier (AA-/AAA-typ). Förbrukningsdelar eller defekter som orsakar en försumbar effekt på apparatens funktion eller värde täcks inte av garantin. För att du ska kunna göra ett garantianspråk måste du visa upp det ursprungliga inköpskvittot, eller en kopia av detta, där inköpsdatum och produktmodell framgår.

17.2 Garantiåtagande

En felaktig apparat måste returneras till ett av Topcoms servicecenter tillsammans med ett giltigt inköpskvitto och ifyllt servicekort. Om ett fel uppstår på apparaten under garantiperioden, reparerar Topcom eller dess officiellt förordnade servicecenter alla defekter orsakade av material- eller tillverkningsfel utan kostnad. Detta sker antingen genom reparation eller utbyte av den felaktiga apparaten eller delar av den felaktiga apparaten. I händelse av utbyte, kan färg eller modell skilja sig från den ursprungligen köpta enheten.

Det ursprungliga inköpsdatumet avgör garantitidens början. Garantiperioden förlängs inte om produkten byts ut eller repareras av Topcom eller dess förordnade servicecenter.

17.3 Garantiundantag

Skador eller defekter som orsakats av felaktig behandling eller användning, och skador till följd av användning av delar eller tillbehör som inte är original, täcks inte av garantin.

Garantin täcker inte skador orsakade av yttre faktorer som blixtnedslag, vatten och eld eller skador orsakade under transport. Ingen garanti kan krävas om serienumret på apparaten har ändrats, avlägsnats eller gjorts oläsligt. Eventuella garantianspråk gäller inte om enheten har reparerats, ändrats eller modifierats av köparen.

1 Indledning

Tak, fordi du har valgt Twintalker 7100 Sports Pack. Twintalker 7100 Sports Pack er radiokommunikationsudstyr med lav effekt, som har en rækkevidde på maks. 10 km, og som ikke medfører nogen form for driftsomkostninger ud over den minimale udgift til genoplading af batterierne. Twintalker kan arbejde på 8 kanaler.

2 Anvendelse

Udstyret kan anvendes til fritidsformål. F.eks.: til at holde kontakten undervejs imellem to eller flere biler, cykler eller skiløbere. Systemet kan bruges til at holde kontakten med børnene, når de leger udenfor, osv ...

3 CE-mærke

CE-symbolet på enheden, brugervejledningen og emballagen angiver, at enheden overholder de vigtigste krav i R&TTE-direktivet 1995/5/EC.

4 Sikkerhedsanvisninger

4.1 Generelt

Nedenstående oplysninger vedr. sikkerhed og korrekt brug bør læses omhyggeligt. Sæt dig ind i alle udstyrets funktioner. Gem denne vejledning et sikkert sted med henblik på senere brug.

4.2 Brandskader

- Hvis antennens afdækning beskadiges, må antennen ikke berøres. Hvis antennen kommer i kontakt med huden, kan der forekomme mindre brandsår, når apparatet sender.
- Batterier kan medføre tingsskade som f.eks. brandskader, hvis ledende materiale, f.eks. smykker, nøgler eller perlekæder, kommer i kontakt med blotlagte batteripoler. Sådant materiale kan skabe et elektrisk kredsløb (kortslutning) og blive meget varmt. Udvis stor forsigtighed ved håndtering af opladte batterier – især hvis de puttes i lommen, i en håndtaske eller i en anden beholder, som indeholder metalgenstande.

4.3 Personskade

- Placer ikke enheden i området over en airbag eller i airbaggens aktiveringsområde. Airbags udfoldes med stor kraft. Hvis en PMR placeres i airbaggens aktiveringsområde, og airbaggen aktiveres, kan kommunikatoren blive kastet af sted med stor kraft og forårsage alvorlig personskade på personer, der måtte opholde sig i bilen.
- Hold PMR-enheden i mindst 15 centimeters afstand fra pacemakere.
- Sluk PMR-enheden (OFF), så snart der iagttages forstyrrelser i forbindelse med medicinsk udstyr.

4.4 Eksplosionsfare

- Udskift ikke batterier i en potentielt eksplosiv atmosfære. Under isætning og udtagning af batterier kan der opstå kontaktgnister, hvilket kan forårsage en eksplosion.
- Sluk din PMR-enhed, når du opholder dig i et område med en potentielt eksplosiv atmosfære. Gnister i sådanne områder kan forårsage en eksplosion eller brand og medføre personskade eller endda dødsfald.
- Udsæt aldrig batterier for åben ild, da dette kan få dem til at eksplodere.



Områder med potentielt eksplosive atmosfærer er ofte tydeligt markeret, men ikke altid. Sådanne områder omfatter brændstofhåndteringssteder som f.eks. rum under dæk på både; faciliteter til overførsel eller opbevaring af brændstoffer eller kemikalier; områder, hvor luften indeholder kemikalier eller partikler som f.eks. korn, støv eller metalpartikler og alle områder, hvor det normalt anbefales at slukke bilmotorer.

4.5 Forgiftningsfare

- Batterier må ikke være tilgængelige for små børn.

4.6 Juridisk

- I visse lande er det forbudt at bruge PMR, mens man kører bil. Hvis det er tilfældet, skal du parkere bilen et sikkert sted, før du bruger udstyret.
- Sluk PMR-enheden (OFF) om bord på fly, når du bliver instrueret om det. Enhver brug af PMR-enheden skal ske i overensstemmelse med flyselskabets regulativer eller flypersonalets instrukser.
- Sluk PMR-enheden (OFF) på steder, hvor du på opslag opfordres til det. Hospitaler og behandlingssteder bruger muligvis udstyr, som kan påvirkes af udefra kommende radiofrekvensenergi.
- Udskiftning eller modificering af antennen kan påvirke PMR-radiospecifikationerne, så CE-regulativerne ikke længere overholdes. Uautoriserede antenner kan også beskadige radioen.

4.7 Bemærk

- Berør ikke antennen, mens der sendes – dette kan påvirke rækkevidden.
- Fjern batterierne, hvis enheden ikke skal anvendes i længere tid.

5 Rengøring og vedligeholdelse

- Rengør enheden ved at aftørre den med en blød klud, som er fugtet let med vand. Brug ikke rense- eller opløsningsmidler på udstyret. Sådanne midler kan ødelægge udstyrets beklædning og trænge ind i udstyret, hvor de kan forårsage permanente skader.
- Batteripolerne må kun aftørres med en tør, fnugfri klud.
- Hvis udstyret bliver vådt, skal det slukkes, og batterierne fjernes med det samme. Tør batterikammeret med en blød klud for at minimere risikoen for vandskader. Lad afdækningen til batterikammeret forblive afmonteret natten over, eller indtil udstyret er helt tørt. Brug ikke udstyret, før det er fuldstændigt tørt.

6 Bortskaffelse af enheden (miljø)



Når produktet er udtjent, må det ikke kasseres sammen med det almindelige husholdningsaffald, men skal afleveres på et indsamlingssted til genanvendelse af elektrisk og elektronisk udstyr. Dette angives af symbolet på produktet, brugervejledningen og/eller emballagen.

Nogle af produktets materialer kan genanvendes, hvis de afleveres på en genbrugsstation. Ved genanvendelse af dele eller råstoffer fra brugte produkter kan man yde et vigtigt bidrag til beskyttelse af miljøet. Kontakt de lokale myndigheder, hvis du har brug for yderligere oplysninger om genbrugsstationerne i dit område.

7 Brug af PMR-udstyr

Kommunikation mellem to PMR-enheder kræver, at begge enheder er indstillet til samme kanal, en CTCSS-/DCS-kode (se kapitel "13.7 CTCSS (Continuous Tone Coded Squelch System)/DCS (Digital Coded Squelch)"), og at de begge befinder sig inden for modtagerækkevidde (op til maks. 10 km over åbent land). Da disse enheder bruger gratis frekvensbånd (kanaler), deler samtlige aktive enheder de samme kanaler (i alt 8 kanaler). Det betyder, at samtaler ikke er fortrolige. Enhver anden med PMR-udstyr, som er indstillet på samme kanal som dit, kan lytte med på samtalen. Hvis du vil kommunikere (dvs. sende et talesignal), skal du trykke på PTT-knappen (12).

Når der trykkes på knappen, skifter udstyret til sendetilstand, og du kan tale i mikrofonen. Alle andre PMR-enheder inden for rækkevidde, som er indstillet på samme kanal, og som er i standby-tilstand (dvs. som ikke netop sender), vil kunne høre din besked. Du skal vente, til den anden part holder op med at sende, før du kan besvare meddelelsen. Ved afslutningen af transmissionen afgiver enheden et bip, hvis kvitteringsbip er aktiveret (se kapitel "13.12 Bekræftelsesbip On/Off"). Hvis du vil svare, skal du bare trykke på PTT-knappen (12) og tale ind i mikrofonen.



Hvis 2 eller flere brugere trykker på PTT-knappen (12) samtidig, modtager modtageren kun det kraftigste signal, mens andre signaler undertrykkes. Derfor skal du kun sende et enkelt signal (tryk på PTT-knappen (12), når kanalen er ledig).



Rækkevidden for radiobølgerne påvirkes markant af forhindringer som f.eks. bygninger, beton-/metalstrukturer, landskabets ujævnhed, skovområder, planter, ... Dette medfører, at rækkevidden mellem to eller flere PMR'er i nogle ekstreme tilfælde kan være begrænset til maks. 20-30 meter. Du vil hurtigt bemærke, at PMR fungerer bedst, når der er et minimum af forhindringer mellem brugerne.

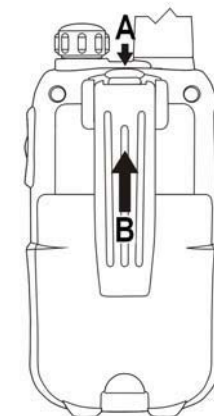
8 Pakken indeholder

- 2 x Twintalker 9500
- 2 x bordopladere
- 2 x strømadaptere
- 8 x AAA NiMh-batterier
- Brugervejledning
- Kort med serviceadresse og Hotline

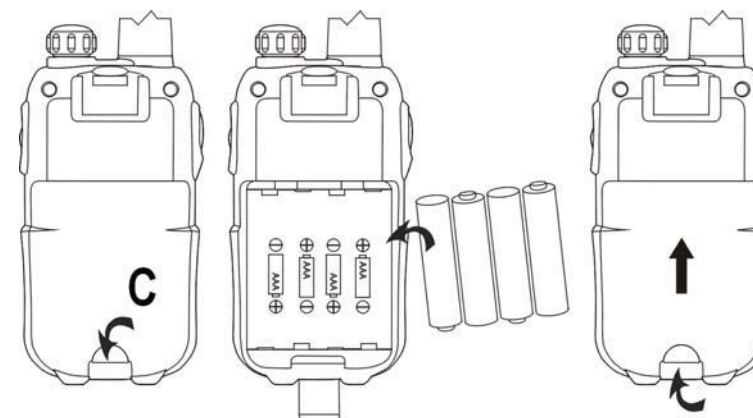
9 Sådan kommer du i gang

9.1 Montering/afmontering af bælteclips

1. Fjern clipsen fra enheden ved at skubbe bælteclipsen (B) i retning af antennen, mens du trækker i tappen (A) på clipsen.
2. Ved genmontering af bælteclipsen betyder et klik, at bælteclipsen er låst på plads



9.2 Isætning af batterier



1. Fjern bælteclipsen (se kapitel "9.1 Montering/afmontering af bælteclips").
2. Løft batteridækslet ved forsigtigt at skubbe dørclipsen (C) med en negl.
3. Isæt NiMh-batterierne. Sørg for at overholde NiMh-batteriernes polaritet.
4. Luk batterikammeret.
5. Genmonter bælteclipsen.

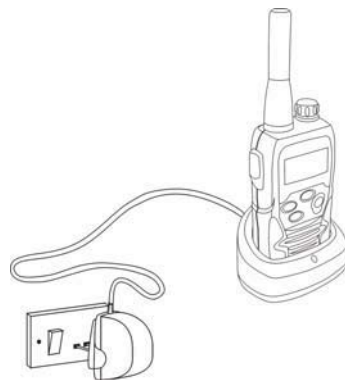
10 Opladning af batterierne

PMR'ens batteri kan oplades på to måder:

10.1 Med bordopladeren

Batterierne kan nemt og bekvemt oplades via bordopladeren.

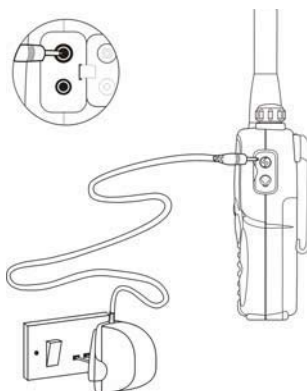
1. Placer bordopladeren på en plan overflade.
2. Sæt den ene ende af den medfølgende adapter i en stikkontakt, der er let at komme til, og den anden ende i soklen bag på bordopladeren (28). (Se det foldede omslag – illustration 3)
3. Sæt radioen i opladeren som vist.
4. Opladnings-LED (29) tændes, hvis radioen er isat korrekt og lader. (Se det foldede omslag – illustration 3)



10.2 Ved at slutte strømadapteren direkte til PMR

1. Slut strømadapterstikket direkte til opladerbøsningen (3) på PMR'en.

Det tager omkring 8 til 10 timer at oplade batterierne fuldstændigt.



Tryk ikke på PMR'ernes PTT-knap (12), imens de sidder i opladeren!



Batterierne må ikke kortsluttes eller afbrændes. Fjern batterierne, hvis enheden ikke skal anvendes i længere tid.

Oplad ikke ikke-genopladelige batterier som f.eks. alkaliske batterier i opladeren. Dette kan beskadige PMR'erne og opladningsenheden.

11 Beskrivelse

Se det foldede omslag – illustration 1

1. Omskifter til On/Off/lydstyrke
2. LCD-display
3. Opladerforbindelse
4. Tilslutning af hovedsæt
5. TX-LED'en (lyser, når enheden sender)
6. Kaldeknop
7. Menuknop
 - Indtast menuindstillingerne
8. Mikrofon
9. Højttaler
10. Pil ned ▼
 - Vælg den forrige værdi i menuen
11. Pil op ▲
 - Vælg den næste værdi i menuen
12. PTT-knap
13. Antenne

Se det foldede omslag – illustration 3

28. Opladerforbindelse
29. Opladnings-LED (lyser, når enheden lader)

12 Oplysninger i LCD-displayet

Se det foldede omslag – illustration 2

14. Indikering for CTCSS
15. Indikering for DCS
16. CTCSS/DCS-værdi
17. Frekvensangivelse i MHz
18. MHz-visning
19. Ikon for tastaturlås
20. Indikering af opkaldstype
21. Indikering af batteriniveau
22. Kanalnummer
23. RX-ikon
 - Vises, når der modtages
24. TX-ikon
 - Vises, når der sendes
25. Indikering for VOX
26. Indikering for scanning
27. Indikering for dobbeltkanaltilstand (DCM)

13 Brug af Twintalker 9500



Displayillustrationerne på de næste sider viser kun ikonerne eller displayoplysningerne om de funktioner, der forklares i teksten.

13.1 Sådan tændes og slukkes PMR-radioen



- Drej "Omskifter til On/Off/Lydstyrke" ① med uret. Hvis der høres en kliklyd, er PMR-radioen tændt.
- Drej "Omskifter til On/Off/Lydstyrke" ① mod uret en hel omgang. Hvis der høres en kliklyd, er PMR-radioen slukket.

13.2 Batteriladeniveau/indikering for lav batterikapacitet

Batteriets ladetilstand indikeres af antallet af firkanter, der kan ses i batteriikonet på LCD-displayet.



- Batteri fuldt opladt
- Batteri 2/3 opladt
- Batteri 1/3 opladt
- Batteri afladt

Når batteriladeniveauet er lavt, blinker batteriikonet, og der lyder en biplyd, der angiver, at batterierne skal udskiftes eller oplades.

13.3 Justering af højttalerlydstyrken

- Drej "Omskifter til On/Off/Lydstyrke" ① med uret for at øge lydstyrken.
- Drej mod uret for at sænke lydstyrken.

13.4 Modtagelse af signal

Enheden er kontinuerligt i modtagetilstand, når enheden er tændt og ikke selv sender.



Andre personer kan kun modtage din transmission, hvis de har indstillet deres enhed til samme kanal og valgt samme CTCSS- eller DCS-kode. (Se kapitel "13.6 Kanalskift" og "13.7 CTCSS (Continuous Tone Coded Squelch System)/DCS (Digital Coded Squelch)"). Enten CTCSS eller DCS kan bruges men aldrig begge på samme tid.

13.5 Afsendelse af signal



- Tryk på PTT-knappen ⑫, og hold den inde for at sende. TX-symbolet vises.
- Hold enheden lodret med mikrofonen 10cm fra munden, og tal ind i mikrofonen.
- Slip PTT-knappen ⑫, når du ikke vil sende længere.



Sådan kontrolleres kanalaktiviteten vha. overvågningsfunktionen (Se kapitel "13.8 Overvågning").

13.6 Kanalskift



- Tryk på ↔-knappen ⑦ en enkelt gang, hvorefter det aktuelle kanalnummer blinker i displayet.
- Tryk på ▲-knappen ⑪ eller ▼-knappen ⑩ for at skifte kanal.
- Tryk på PTT-knappen ⑫ for at bekræfte og vende tilbage til standby-tilstand.



Hvis der ikke trykkes på en knap inden for 5 sekunder under indstillingen, vender enheden tilbage til standby-tilstand.

13.7 CTCSS (Continuous Tone Coded Squelch System)/DCS (Digital Coded Squelch)

Den licensfri PMR-radio kører på 446 MHz-frekvensbåndet og har som Twintalker 9500 PMR 8 tilgængelige kanaler. Hvis der er mange PMR-brugere i området, er der sandsynlighed for, at nogle af disse brugere kører på samme radiokanal.

Der er blevet integreret underkanaler for at undgå, at du modtager signaler fra andre brugere. To PMR-radioer kan kun kommunikere med hinanden, når de kører på den samme radiokanal, og når de har valgt præcist den samme underkanal.

Der er to slags underkanaler:

- Continuous Tone Coded Squelch System (CTCSS)
- Digital Coded Squelch (DCS)

Når du bruger CTCSS, sendes en lavfrekvenstone (mellem 67 og 250 Hz) sammen med stemmesignalet. Du kan vælge mellem 38 forskellige toner. Du kan vælge en af disse 38 tilgængelige toner. Disse toner er generelt ikke hørbare grundet filtrering, så de vil ikke forstyrre kommunikationen.

DCS ligner CTCSS, men i stedet for at sende en kontinuerlig tone af en valgt frekvens, føjes der en digital datatransmission til radiosignalet. Denne digitale kode sendes ved en meget lav hastighed, ca. 134 bit pr. sekund (koden er 23 bit lang). Kun den seneste generation af PMR understøtter DCS. Der er 83 tilgængelige DCS-koder, der kan bruges. Da de tidligere modeller kun understøtter CTCSS, er det bedre at bruge DCS for at forhindre, at andre brugere er hørbare under dine PMR-samtaler.

13.7.1 CTCSS



- Tryk på ↵-knappen (7) to gange: **"CTCSS"** og den nuværende CTCSS-kode blinker på displayet.
- Tryk på ▲-knappen (11) eller ▼-knappen (10) for at skifte til en anden kode.
- Tryk på PTT-knappen (12) for at bekræfte og vende tilbage til standby-tilstand.

13.7.2 DCS



- Tryk på ↵-knappen (7) tre gange: **"DCS"** og den nuværende DCS-kode blinker på displayet.
- Tryk på ▲-knappen (11) eller ▼-knappen (10) for at skifte til en anden kode.
- Tryk på PTT-knappen (12) for at bekræfte og vende tilbage til standby-tilstand.



Vælg kode "00" for CTCSS eller for DCS i menuen for at deaktivere CTCSS eller DCS. Når den indtastede information er bekræftet, vises "OF".

13.8 Overvågning

Du kan bruge overvågningsfunktionen til at kontrollere for svagere signaler på den aktuelle kanal.

- Tryk på ↵-knappen (7) og ▼-knappen (10) samtidig for at aktivere kanalovervågning.
- Tryk på ↵-knappen (7) for at afbryde kanalovervågningen.



Under kanalovervågningen lytter modtagerkredsløbet i PMR'en ikke til CTCSS- eller DCS-koder.

13.9 Valg af VOX

PMR-enheden kan afsende stemmeaktiverede transmissioner (VOX). I VOX-tilstand afsender radioen et signal, når den aktiveres af din stemme eller andre lyde i omgivelserne omkring dig. VOX-betjening anbefales ikke, hvis du skal bruge radioen på steder med baggrundsstøj eller blæst.



VOX-tilstand tilsidesættes, når du trykker på PTT - knappen (12) .



- Tryk på ↵-knappen (7) fire gange, hvorefter den aktuelle VOX-indstilling blinker i displayet, og VOX-ikonet vises.
- Tryk på ▲-knappen (11) for at indstille VOX-følsomheden til mellem 1 og 3 (niveau 3 er det mest følsomme niveau).
- Tryk på ▼-knappen, (10) indtil **"OFF"** vises i displayet, for at slukke for VOX.
- Tryk på PTT-knappen (12) for at bekræfte og vende tilbage til standby-tilstand.

13.10 Kanalscanning

Kanalscanning gennemfører søgninger efter aktive signaler i en uendelig sløjfe fra kanal 1 til 8. Når du har fundet en aktiv kanal, har du mulighed for at søge efter CTCSS-koden eller DCS-koden, som indstilles af den bruger, som sender på kanalen.

13.10.1 Scanning efter en aktiv radiokanal



- Tryk på ↵-knappen (7) fem gange: **"SCAN"** og den nuværende kanal blinker på displayet.
- Tryk på ▲-knappen (11) eller ▼-knappen (10) for at starte en kanalscanning.

Når der findes en aktiv kanal, stopper scanningen, og du kan lytte til transmissionen. Når transmissionen på den fundne kanal stopper, genoptages scanningen automatisk.



Hvis du trykker på PTT-knappen (12) , mens du lytter til en funden kanal, går PMR tilbage i standby-tilstand på den fundne kanal.

13.10.2 Scanning efter en CTCSS-kode

Tryk på PTT-knappen (12) , når du har fundet en aktiv kanal, for at vælge den fundne aktive kanal. Nu har du mulighed for at søge efter den CTCSS-/DCS-kode, der bruges af den fundne bruger.



- Tryk på ↵-knappen (7) seks gange: **"SCAN"** og **"CTCSS 00"** blinker på displayet på den valgte radiokanal.
- Tryk på ▲-knappen (11) eller ▼-knappen (10) for at starte CTCSS-scanningen.

Når der foregår en transmission på kanalen, registreres og vises CTCSS-koden (hvis den bruges).



- Hvis du trykker på PTT-knappen (12), mens du lytter til en funden CTCSS-kode, går PMR tilbage i standby-tilstand på kanalen med CTCSS-koden.
- Hvis der ikke er registreret en CTCSS-kode, er der en chance for, at brugeren har valgt DCS. I dette tilfælde kan du scanne efter DCS-koden. (afsnit 13.10.3)

13.10.3 Scanning efter en DCS-kode



- Tryk på ↔-knappen (7) syv gange: "SCAN" og "DCS 00" blinker på displayet for den valgte radiokanal.
- Tryk på ▲-knappen (11) eller ▼-knappen (10) for at starte DCS-scanningen.

Når der foregår en transmission på kanalen, registreres og vises DCS-koden (hvis den bruges).



Hvis du trykker på PTT-knappen (12), mens du lytter til en funden DCS-kode, går PMR tilbage i standby-tilstand på kanalen med DCS-koden.

13.11 Kaldetoner

En kaldetone gør andre opmærksom på, at du ønsker at tale.

13.11.1 Indstilling af kaldetone

Twintalker 9500 har 15 kaldetoner.



- Tryk på ↔-knappen (7) otte gange, "C" vises, og den nuværende kaldetone blinker.
- Tryk på ▲-knappen (11) eller ▼-knappen (10) for at skifte til en anden kaldetone.
- Tryk på PTT-knappen (12) for at bekræfte og vende tilbage til standby-tilstand.

13.11.2 Udsendelse af kaldetone

Tryk kortvarigt på Ⓜ-knappen (6). Kaldetonen sendes på den indstillede kanal.

13.11.3 Kaldetonens modtagelsestype

- Tryk på ↔-knappen (7) ni gange.
- Tryk på ▲-knappen (11) eller ▼-knappen (10) for at vælge kaldetonens modtagelsestype.
 1. Kun tone 📢
 2. Tone + vibration 📢🔊
 3. Kun vibration 📢

Tryk på PTT-knappen (12) for at bekræfte og vende tilbage til standby-tilstand.

13.12 Bekræftelsesbip On/Off

Når PTT-knappen (12) slippes, udsender enheden et bekræftelsesbip for at bekræfte, at du er færdig med at tale.



Sådan indstilles bekræftelsesbip.

- Tryk på ↔-knappen (7) ti gange. "rO" vises.
- Tryk på ▲-knappen (11) for at aktivere (ON) eller ▼-knappen (10) for at deaktivere bekræftelsesbip (OFF).
- Tryk på PTT-knappen (12) for at bekræfte dit valg og vende tilbage til standby-tilstand.

13.13 Aktivering/deaktivering af tastaturtoner

Når der trykkes på en knap, bipper enheden kortvarigt.



Sådan indstilles knaptonen.

- Tryk på ↔-knappen (7) elleve gange. "tO" vises.
- Tryk på ▲-knappen (11) for at aktivere (ON) eller ▼-knappen (10) for at deaktivere tastetoner (OFF).
- Tryk på PTT-knappen (12) for at bekræfte dit valg og vende tilbage til standby-tilstand.

13.14 Dobbeltkanalovervågning

I standby er PMR-enheden indstillet til en fastlagt kanal med CTCSS-/DCS-kode. PMR-enheden modtager kun signaler, der sendes på den pågældende kanal og med den pågældende CTCSS-kode.

Dobbeltkanalovervågning (DCM) giver dig mulighed for at overvåge yderligere en kanal og tilhørende CTCSS-/DCS-kode.

- Tryk på ↔-knappen (7) tolv gange, "DCM OFF" blinker på displayet.
- Tryk på ▲-knappen (11) eller ▼-knappen (10) for at skifte kanal.
- Tryk på ↔-knappen (7) for at bekræfte kanalvalget, og gå til valg af CTCSS. (Tryk på ↔-knappen (7) igen for at gå til valg af DCS)
- Tryk på ▲-knappen (11) eller ▼-knappen (10) for at ændre CTCSS- eller DCS-koden.
- Tryk på PTT-knappen (12) for at bekræfte og vende tilbage til standby-tilstand.
- Deaktiver funktionen ved at vælge "OFF" ved indstilling af DCM-kanalen.



Når funktionen til dobbeltkanalovervågning er aktiveret, skifter PMR-enheden sekventielt imellem standby-kanalen + CTCSS-/DCS-koden og dobbeltkanalen + CTCSS-/DCS-kode.

13.15 Knaplås



- Tryk på ⇨-knappen ⑦, og hold den nede i tre sekunder for at aktivere knaplåsen. Knaplåsikonet vises på LCD-displayet.
- Tryk på ⇨-knappen ⑦ igen, og hold den nede i tre sekunder for at deaktivere knaplåsen.



PTT-knappen ⑫, •»)-knappen ⑥ og ⏏-knappen ① er stadig funktionelle, når knaplåsen aktiveres.

13.16 Baggrundsbelysning i displayet

LCD-displayets baggrundsbelysning aktiveres ved tryk på en vilkårlig knap undtagen PTT-knappen ⑫ eller •»)-knappen ⑥.

LCD-displayets baggrundsbelysning går ud efter 6 sekunder.

14 Øretelefon-bøsning

Bøsningen er placeret øverst på enheden ②.

Sæt øretelefonstikket i bøsningen (2,5 mm stik).

Den lille knap på øretelefonen har samme funktion som PTT-knappen ⑫ på enheden.

Når du bruger PTT-knappen ⑫ på øretelefonen, skal du også tale i mikrofonen på øretelefonen..



Tilslut ikke andre øretelefoner. De kan muligvis beskadige enheden.

15 Fejlsøgning

Ingen strøm	Rengør batterikontakterne med en blød klud. Udskift batterierne.
Ingen transmission	Sørg for, at PTT-knappen ⑫ trykkes helt ind, før du taler. Overvåg kanalaktiviteten, og skift til en anden kanal, hvis den aktuelle kanal allerede er i brug.
Ingen modtagelse	Kontrollér højttalerlydstyrken. Sørg for, at du befinder dig inden for senderens modtageområde, og skift om nødvendigt position i forhold til senderen.
Begrænset rækkevidde og støj under transmissionen	Kommunikationsrækkevidden afhænger af terrænet. Stålkonstruktioner, betonbygninger eller anvendelse i køretøjer har negativ indflydelse på rækkevidden. Forsøg i videst mulige omfang at undgå hindringer, og hav om muligt frit udsyn til den person, der kommunikeres med. Gå et andet sted hen.
Interferens	Modtageren og senderen er for tæt på hinanden. Mindsteafstanden imellem 2 enheder er 1,5 m.

16 Tekniske specifikationer

Kanaler	8
Underkode	CTCSS 38/DCS 83
Frekvens	446,00625MHz - 446,09375 MHz
Rækkevidde	Op til 10 km (åbent område)
Batteri	Li-ion 3,7V genopladelig
Transmissionseffekt	=< 500 mW ERP
Modulationstype	FM - F3E
Kanalseparering	12,5 kHz
Duo-opladeradapter	Indgang: 230V AC/50Hz - Udgang: 7,5 V DC/750mA

Channel Frequency Chart:		CTCSS Code Chart							
Channel	Frequency (MHz)	Code	Frequency (Hz)	Code	Freq. (Hz)	Code	Freq. (Hz)	Code	Freq. (Hz)
1	446,00625	0	Disabled	10	94,8	20	131,8	30	186,2
2	446,01875	1	67,0	11	97,4	21	136,5	31	192,8
3	446,03125	2	71,9	12	100,0	22	141,3	32	203,5
4	446,04375	3	74,4	13	103,5	23	146,2	33	210,7
5	446,05625	4	77,0	14	107,2	24	151,4	34	218,1
6	446,06875	5	79,7	15	110,9	25	156,7	35	225,7
7	446,08125	6	82,5	16	114,8	26	162,2	36	233,6
8	446,09375	7	85,4	17	118,8	27	167,9	37	241,8
		8	88,5	18	123,0	28	173,8	38	250,3
		9	91,5	19	127,3	29	179,9		

DCS Code Chart							
No	DCS code	No	DCS code	No	DCS code	No	DCS code
0	Disabled	21	134	42	311	63	516
1	23	22	143	43	315	64	532
2	25	23	152	44	331	65	546
3	26	24	155	45	343	66	565
4	31	25	156	46	346	67	606
5	32	26	162	47	351	68	612
6	43	27	165	48	364	69	624
7	47	28	172	49	365	70	627
8	51	29	174	50	371	71	631
9	54	30	205	51	411	72	632
10	65	31	223	52	412	73	654
11	71	32	226	53	413	74	662
12	72	33	243	54	423	75	664
13	73	34	244	55	431	76	703
14	74	35	245	56	432	77	712
15	114	36	251	57	445	78	723
16	115	37	261	58	464	79	731
17	116	38	263	59	465	80	732
18	125	39	265	60	466	81	734
19	131	40	271	61	503	82	743
20	132	41	306	62	506	83	754

17 Topcom reklamationsret

17.1 Reklamationsret

Enheder fra Topcom er omfattet af en 24-måneders reklamationsfrist. Reklamationsfristen gælder fra den dag, forbrugeren køber den nye enhed. Der er ingen reklamationsret på standard- eller genopladelige batterier (af typen AA/AAA).

Forbrugsdele eller defekter, som kun har ubetydelig indvirkning på brugen eller udstyrets værdi, dækkes ikke.

Reklamationsretten skal dokumenteres ved at den originale regning eller kvittering vedlægges, hvorpå købsdato samt enhedens type er anført.

17.2 Håndtering af fejlbehæftede enheder

Den defekte enhed sendes retur til et Topcom servicecenter vedhæftet gyldig købskvittering og et udfyldt servicekort.

Hvis enheden får en defekt inden for reklamationsfristen, vil Topcom eller dennes officielle udnævnte servicecenter, uden vederlag reparere enhver defekt, som måtte skyldes fejl i materialer eller fremstilling. Topcom vil efter eget skøn indfri reklamationsrettens forpligtelser ved enten at reparere eller udskifte fejlbehæftede enheder eller reservedele på disse. Ved udskiftning/ombytning kan farve og model variere fra den købte enhed.

Den oprindelige købsdato bestemmer reklamationsrettens begyndelse. Reklamationsretten bliver ikke udvidet, hvis enheden udskiftes eller repareres af Topcom eller dets udpegede servicecentre.

17.3 Undtagelser fra reklamationsretten

Ved skader eller defekter, som skyldes forkert behandling eller betjening, samt skader, der skyldes brug af uoriginale reservedele eller tilbehør, som ikke er anbefalet af Topcom, bortfalder reklamationsretten.

Desuden omfatter reklamationsretten ikke skader, der skyldes ydre faktorer såsom lynnedslag, vand- og brandskader, samt skader der skyldes transport.

Reklamationsretten bortfalder hvis enhedens serienumre er blevet ændret, fjernet eller er gjort ulæselige.

Reklamationsretten bortfalder desuden, hvis enheden er blevet repareret, ændret eller modificeret af køber.

1 Innledning

Takk for at du kjøpte Twintalker 7100 Sports Pack. Den er en radiokommunikasjonsenhet med rekkevidde på maksimalt 10 km. Den har ingen andre driftskostnader enn den minimale kostnaden ved opplading av batteriene. TwinTalker-enheten opererer på 8 kanaler.

2 Beregnet bruk

Den kan brukes til fritidsformål. For eksempel: å holde kontakten når man kjører sammen i to eller flere biler, sykler eller går på ski. Den kan brukes til å holde kontakten med barna når de leker utenfor huset osv.

3 CE-merking

CE-symbolet på utstyret, brukerhåndboken og innpakningen indikerer at utstyret overholder alle essensielle krav i henhold til R&TTE-direktivet 1995/5/EU.

4 Sikkerhetsinstruksjoner

4.1 Generelt

Les nøye gjennom følgende informasjon vedrørende sikkerhet og riktig bruk. Gjør deg kjent med alle funksjonene til utstyret. Oppbevar denne håndboken på et trygt sted for senere oppslag.

4.2 Varmeskader

- Hvis antennekledningen blir skadet, må antenna ikke berøres, da mindre brannskader kan oppstå dersom antenna kommer i kontakt med huden under sending.
- Batterier kan forårsake skade på gjenstander dersom materialer som fører strøm, som smykker, nøkler eller kjeder, kommer i kontakt med åpne batteriterminaler. Materialet vil da kunne slutte en elektrisk krets (kortslutning), og bli svært varmt. Utvis stor forsiktighet ved håndtering av alle ladde batterier, især hvis du skal bære det i en lomme eller veske sammen med metallgjenstander.

4.3 Personskader

- Plasser aldri utstyret i området over en kollisjonspute, eller innenfor kollisjonsputens virkeområde. Kollisjonsputer blåses opp med stor kraft. Hvis en PM-radio plasseres i området innenfor kollisjonsputens virkeområde, og kollisjonsputen utløses, kan PM-radioen slynges med stor kraft og forårsake alvorlige personskader hvis den treffer personer.
- Hold PM-radioen på minst 15 centimeters avstand fra pacemakere.
- Slå PM-radioen AV med det samme du ser tegn til at den påvirker medisinsk utstyr.

4.4 Eksplosjonsfare

- Ikke bytt batterier i miljøer med potensielt eksplosive gasser tilstede. Gnister kan dannes når batterier fjernes eller installeres, og gi støt til en eksplosjon.
- Slå PM-radioen av når du oppholder deg i miljøer med potensielt eksplosive gasser tilstede. Gnister på slike områder kan forårsake eksplosjon eller brann, og føre til alvorlig personskade eller død.
- Kast aldri batterier i ilden, da de kan eksplodere.



Miljøer med potensielt eksplosive gasser tilstede er ofte klart merket, men ikke alltid. Slike områder inkluderer drivstoffpåfyllingssteder som under dekket på båter; steder hvor drivstoff oppbevares eller overfylles; områder hvor luften inneholder kjemikalier eller partikler, som støv, korn eller metallstøv; samt ethvert område der du normalt ville bli bedt om å slå av bilmotoren.

4.5 Fare for forgiftning

- Hold batterier utenfor små barns rekkevidde

4.6 Juridisk

- I noen land er det forbudt å bruke PM-radio mens du fører et motorkjøretøy. I slike tilfeller kjører du ut av veien og stanser før du bruker utstyret.
- Slå PM-radioen AV om bord i fly når du blir bedt om dette. All bruk av PM-radioen må foregå i overensstemmelse med flyselskapets regler eller besetningens anvisninger.
- Slå PM-radioen AV på alle steder hvor plakater eller oppslåtte notiser ber deg om dette. Sykehus og helseinstitusjoner kan bruke utstyr som er følsomt overfor ekstern RF-stråling.
- Utskifting eller modifisering av antenna kan påvirke PM-radioens spesifikasjoner, og medføre brudd på CE-reglene. Uautoriserte antenner kan dessuten føre til skade på radioen.

4.7 Merknader

- Unngå å berøre antenna under sending, da dette kan påvirke rekkevidden.
- Ta ut batteriene hvis enheten ikke skal brukes på en god stund.

5 Rengjøring og vedlikehold

- Hvis utstyret trenger rengjøring, tørker du av det med en myk klut lett fuktet med vann. Ikke bruk rengjørings- eller løsemidler på utstyret, da disse kan skade huset og lekke inn, og forårsake permanent skade.
- Batterikontakter kan avtørkes med en tørr og lofri klut.
- Hvis enheten blir våt, må du straks slå den av og fjerne batteriene. Tørk ut batterirommet med en myk og tørr klut for å minimalisere faren for vannskade. La dekslet over batterirommet være av over natten, eller til utstyret er fullstendig tørt. Inne bruk enheten før den er fullstendig tørket.

6 Avhending av produktet (miljø)



Når produktet skal avhendes, må du ikke kaste det sammen med det vanlige husholdningsavfallet, men ta det med til et innsamlingspunkt for resirkulering. Symbolet på produktet, bruksanvisningen og/eller boksen angir dette.

Noen av produktets materialer kan brukes om igjen hvis du tar produktet med til et innsamlingspunkt for resirkulering. Ved å sørge for at deler eller råmateriale fra brukte produkter kan brukes om igjen, bidrar du til å ta vare på miljøet. Ta kontakt med de lokale myndighetene hvis du trenger mer informasjon om innsamlingspunkter i ditt område.

7 Bruk av en personlig mobilradioenhet (PMR)

For at PM-radioer skal kunne kommunisere, må de være innstilt på samme kanal og CTCSS/DCS-kode, (se kapittel "13.7 CTCSS (Continuous Tone Coded Squelch System) / DCS (Digital Coded Squelch)") og innen rekkevidde av hverandre (opptil 10 km i åpent lende). Ettersom disse enhetene bruker ledige frekvensbånd (kanaler), må alle enhetene som brukes dele på disse kanalene (totalt 8 kanaler). Derfor kan ingen avlyttingsgaranti gis. Alle med en PM-radio innstilt på den samme kanalen, kan overhøre konversasjonen. Når du ønsker å kommunisere (sende et talesignal), må du trykke på PTT-knappen (12).

Når knappen er trykket inn, vil enheten gå i sendemodus, og du kan avsi meldingen din gjennom mikrofonen. Alle andre PM-radioer innenfor rekkevidde, innstilt på den samme kanalen og i beredskapsmodus (sender ikke), vil høre meldingen din. Du må vente til den andre parten slutter å sende før du kan svare på meldingen. Ved slutten av hver sending vil enheten sende en pipetone hvis Roger-tone er aktivert (se kapittel "13.12 Bekreftelsestone På/Av"). For å svare trykker du bare på PTT-knappen (12) og snakker inn i mikrofonen.



Hvis to eller flere brukere trykker på PTT-knappen (12) på samme tid, vil mottakeren bare oppfatte det sterkeste signalet, og de andre signalene vil bli undertrykt. Du må derfor bare sende et signal. (trykk på PTT-knappen (12) når kanalen er ledig.)



Rekkevidden på radiobølgene blir sterkt påvirket av hindringer, som f.eks. bygninger, betong-/metallkonstruksjoner, kupert landskap, skog, plater osv. Dette medfører at rekkevidden mellom to eller flere PM-radioer i enkelte tilfeller kan bli begrenset til maksimalt noen titalls meter. Du vil snart merke at PMR fungerer best når det er minimalt med hindringer mellom brukerne.

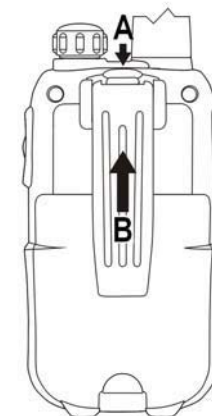
8 Inkludert i pakken

- 2 x Twintalker 9500
- 2 x bordlader
- 2 x strømadapter
- 8 x AAA NiMh-batterier
- Brukerhåndbok
- Kort med serviceadresser og brukerstøttelefon

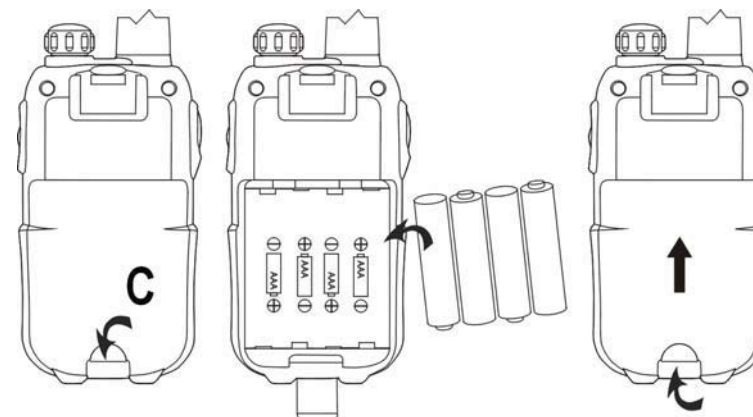
9 Komme i gang

9.1 Montere/fjerne belteklipset

1. For å fjerne belteklipset fra enheten trykker du belteklipset (B) mot antennen mens du løfter på klipsfliken (A).
2. Når du setter belteklipset på igjen, vil et klikk signalisere at klipset er låst i riktig stilling.



9.2 Sette inn batterier



1. Fjern belteklipset (se kapittel "9.1 Montere/fjerne belteklipset")
2. Løft batteridekselet ved å skyve klipset på dekselet (C) forsiktig med fingerne.
3. Installer NiMh-batteriene. Sørg for at polariteten på NiMh-batteriene er riktig.
4. Lukk batteridekselet.
5. Monter belteklipset igjen

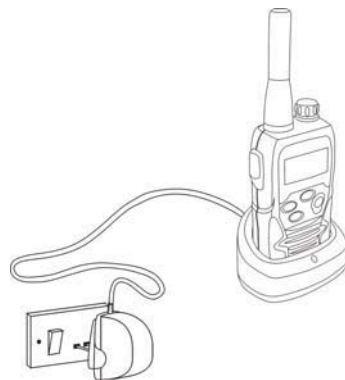
10 Lade opp batterier

Du kan lade batteriene til PMR-ene på to måter:

10.1 Bruk av bordlader

Bordladeren gir komforten med enkelt å kunne sette enheten til lading.

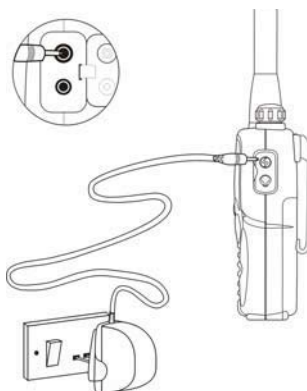
1. Sett bordladeren på et flatt underlag.
2. Plugg den ene enden av strømadapteren som følger med inn i stikkontakten, og den andre enden i kontakten på baksiden av bordladeren (28). (Se innbrettet forside – illustrasjon 3)
3. Sett PM-radioen i bordladeren som vist.
4. Ladelampen (29) vil lyse opp for å indikere at radioen er riktig satt inn og under opplading. (Se innbrettet forside – illustrasjon 3)



10.2 Koble strømadapteren direkte til PMR

1. Koble kontakten på strømadapteren direkte til ladekontakten (3) på PMR.

Det tar mellom 8 og 10 timer å lade batteriene helt opp.



Ikke trykk på PTT -knappen (12) på PMR når de lades!



Batteriene må ikke kortsluttes eller kastes på åpen ild. Ta ut batteriene hvis ikke enheten skal brukes på en god stund.

Ikke lad opp ikke-oppladbare batterier, som f.eks. alkaliske batterier, i laderen. Dette kan skade PMR og laderenheten.

11 Beskrivelse:

Se første omslagsside, figur 1

1. PÅ/AV-volumknapp
2. LCD-display
3. Ladekontakt
4. Hodetelefontilkopling
5. TX LED (bare under sending)
6. Anropsknapp
7. Menyknapp
 - Registrere menyinnstillingene
8. Mikrofon
9. Høytaler
10. Ned-knapp
 - Velg forrige verdi i menyen
11. Opp-knapp
 - Velg neste verdi i menyen
12. PTT-knapp
13. Antenne

Se første omslagsside, figur 3

28. Ladekontakt
29. Laderlampe (lyser under lading)

12 Informasjon på LCD-displayet

Se første omslagsside, figur 2

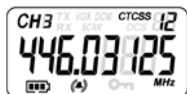
14. CTCSS-indikasjon
15. DCS-indikasjon
16. CTCSS/DCS-verdi
17. Frekvensindikasjon i MHz
18. MHz-indikasjon
19. Tastelåsikon
20. Send/motta-type indikasjon
21. Batterinivåindikasjon
22. Kanalnummer
23. RX-ikon
 - Viser under mottak
24. TX-ikon
 - Viser under sending
25. VOX-indikasjon
26. Skanneindikasjon
27. Dual Channel-modusindikasjon (DCM)

13 Bruk av Twintalker 9500



Display-illustrasjonene på de neste sidene viser bare ikonene eller displayinformasjonen til funksjonene som er forklart i teksten.

13.1 Slå PM-radioen på/av



- Drei "Av/På/Volum-knappen" ① med urviseren. En klikkelyd indikerer at PMR-radioen er slått på.
- Drei "Av/På/Volum-knappen" ① helt rundt mot urviseren. En klikkelyd indikerer at PMR-radioen er slått av.

13.2 Batteriladenivå/indikator for lavt batteri

Batteriladenivået vises med antall rektangler som vises i batteriikonet på LCD-displayet.



- Fulladet batteri
- Batteri 2/3 fullt
- Batteri 1/3 fullt
- Batteri utladet

Når batterinivået er lavt, vil batteriikonet blinke og en lyd vil kunne høres for å indikere at batteriene må lades opp eller skiftes ut.

13.3 Justere høyttalervolumet

- Drei "Av/På/Volum-knappen" ① med urviseren for å øke høyttalervolumet.
- Drei mot urviseren for å dempe volumet.

13.4 Motta et signal

Enheden er kontinuerlig i mottaksmodus så lenge den er slått PÅ og ikke sender selv.



For at andre brukere skal høre sendingen din, må de være innstilt på samme kanal og ha satt den samme CTCSS- eller DCS-koden. (Se kapittel "13.6 Skifte kanaler" og "13.7 CTCSS (Continuous Tone Coded Squelch System) / DCS (Digital Coded Squelch)"). Enten CTCSS eller DCS kan brukes, men aldri begge samtidig.

13.5 Sende et signal



- Trykk inn og hold på PTT-knappen ⑫ for å sende. TX-symbolet vises.
- Hold enheten vertikalt med mikrofonen 10 cm fra munnen, og tal inn i mikrofonen.
- Slipp PTT-knappen ⑫ når du er ferdig med å sende.



Hvis du vil sjekke aktiviteten på kanalen, kan du bruke monitorfunksjonen. (se kapittel "13.8 Overvåking").

13.6 Skifte kanaler



- Trykk på ↔-knappen ⑦ én gang, og gjeldende kanalnummer blinker på displayet.
- Trykk på ▲-knappen ⑩ eller ▼-knappen ⑩ for å skifte kanal.
- Trykk på PTT-knappen ⑫ for å bekrefte og gå tilbake til hvilemodus.



Hvis du ikke har trykket på noen knapper på 5 sekunder, går enheten tilbake til beredskapsmodus.

13.7 CTCSS (Continuous Tone Coded Squelch System) / DCS (Digital Coded Squelch)

Lisensfrie PMR-radioer som opererer på 46 MHz-frekvensbåndet, som Twintalker 9500 PMR, har 8 tilgjengelige radiokanaler. Hvis det er mange PMR-brukere i nærheten, er det sannsynlig at noen av disse brukerne bruker samme kanal.

For å hindre at du mottar radiosignaler fra andre brukere, er det integrert underkanaler.

To PMR-radioer vil bare kunne kommunisere med hverandre hvis de bruker samme radiokanal og i tillegg samme underkanal.

Det finnes to typer underkanaler:

- Continuous Tone Coded Squelch System (CTCSS)
- Digital Coded Squelch (DCS)

Ved bruk av CTCSS vil det bli sendt en lavfrekvent tone (mellom 67 og 250 Hz) sammen med talesignalet. Du kan velge mellom 38 forskjellige toner. Du står fritt til å velge en av disse 38 tilgjengelige tonene. På grunn av filtrering er disse tonene vanligvis ikke hørbare, og vil derfor ikke forstyrre kommunikasjonen.

DCS ligner på CTCSS, men istedenfor å sende en kontinuerlig tone på en valgt frekvens, legges det til en digital dataoverføring til radiosignalet. Denne digitale koden blir sendt i en meget langsom hastighet, rundt 134 bits per sekund (koden er 23 bits lang). Bare PMR-er av siste generasjon vil støtte DCS. Det finnes 83 ulike DCS-koder som kan benyttes. Fordi tidligere modeller bare støtter CTCSS, vil det være bedre å bruke DCS for å unngå at andre brukere vil høres under PMR-samtalene dine.

13.7.1 CTCSS



- Trykk to ganger på ↔-knappen ⑦ : "CTCSS" og den aktuelle CTCSS-koden blinker på displayet.
- Trykk på ▲-knappen ⑪ eller ▼-knappen ⑩ for å skifte til en annen kode.
- Trykk på PTT-knappen ⑫ for å bekrefte og gå tilbake til hvilemodus.

13.7.2 DCS



- Trykk 3 ganger på ↔-knappen ⑦ : "DCS" og den aktuelle DCS-koden blinker på displayet.
- Trykk på ▲-knappen ⑪ eller ▼-knappen ⑩ for å skifte til en annen kode.
- Trykk på PTT-knappen ⑫ for å bekrefte og gå tilbake til hvilemodus.



For å deaktivere CTCSS eller DCS, velg kode "00" for CTCSS eller for DCS i menyen. Når inntastingen er bekreftet, vil "AV" vises.

13.8 Overvåking

Du kan bruke overvåkingsfunksjonen til å søke etter svakere signaler på den aktuelle kanalen.

- Trykk på ↔-knappen ⑦ og ▼-knappen ⑩ samtidig for å aktivere kanalovervåking.
- Trykk på ↔-knappen ⑦ når du vil avslutte kanalovervåkingen.



Under kanalovervåking vil mottakerkretsen i PMR ikke lytte til CTCSS- eller DCS-koder.

13.9 VOX-aktivering

PM-radioen er i stand til å foreta stemmeaktivert (VOX) sending. I VOX-modus vil radioen sende et signal når den aktiveres av stemmen din eller av annen lyd omkring deg. Stemmestyring anbefales ikke dersom du planlegger å bruke PM-radioen i støyende eller vindfulle omgivelser.



Stemmestyringsmodus (VOX) vil bli overstyrt når du trykker på PTT-knappen ⑫ .

- Trykk på ↔-knappen ⑦ fire ganger, og gjeldende innstillinger for stemmestyring blinker på displayet samtidig som VOX-ikonet vises.
- Trykk på ▲-knappen ⑪ for å sette stemmefølsomheten mellom 1 og 3 (nivå 3 er det mest følsomme nivået).
- Trykk på ▼-knappen ⑩ inntil "OFF" vises på displayet for å slå av VOX.
- Trykk på PTT-knappen ⑫ for å bekrefte og gå tilbake til hvilemodus.



13.10 Kanalskanning

Kanalskanning søker etter aktive signaler i en endeløs løkke fra kanal 1 til 8.

Når en aktiv kanal er funnet har du mulighet til å søke etter CTCSS- eller DCS-koden som er stilt inn av brukeren som sender på kanalen.

13.10.1 Skanning etter en aktiv radiokanal.



- Trykk 5 ganger på ↔-knappen ⑦ : "SCAN" og den aktuelle kanalen blinker på displayet.
- Trykk på ▲-knappen ⑪ eller ▼-knappen ⑩ for å starte kanalskanningen.

Når en aktiv kanal er funnet, vil skanningen stoppe og du kan lytte til sendingen.

Når sendingen på kanalen som er funnet stopper, vil skanningen automatisk starte igjen.



Hvis du trykker på PTT-knappen ⑫ mens du lytter til en kanal som er funnet, vil PMR gå tilbake til standby-modus på kanalen som er funnet.

13.10.2 Skanning etter en CTCSS-kode

Når du har funnet en aktiv kanal, trykk på PTT-knappen ⑫ for å velge den aktive kanalen som er funnet. Nå har du mulighet til å søke etter CTCSS-/DCS-koden som brukes av brukeren du har funnet.



- Trykk 6 ganger på ↔-knappen ⑦ : "SCAN" og "CTCSS 00" blinker på displayet for valgt radiokanal.
- Trykk på ▲-knappen ⑪ eller ▼-knappen ⑩ for å starte CTCSS-skanningen.

Når det er en sending på kanalen, vil CTCSS-koden (hvis den brukes) bli oppdaget og vist.



- Hvis du trykker på PTT-knappen ⑫ mens du lytter til en CTCSS-kode som er funnet, vil PMR gå tilbake til standby-modus på kanalen med CTCSS-koden.
- Hvis det ikke finnes noen CTCSS-kode, kan det være at DCS er valgt av brukeren. I dette tilfellet kan du skanne etter DCS-koden. (avsnitt 13.10.3)

13.10.3 Skanning etter en DCS-kode



- Trykk 7 ganger på ↔-knappen ⑦ : "SCAN" og "DCS 00" blinker på displayet for valgt radiokanal.
- Trykk på ▲-knappen ⑪ eller ▼-knappen ⑩ for å starte DCS-skanningen.

Når det er en sending på kanalen, vil DCS-koden (hvis den brukes) bli oppdaget og vist.



Hvis du trykker på PTT-knappen ⑫ mens du lytter til en DCS-kode som er funnet, vil PMR gå tilbake til standby-modus på kanalen med DCS-koden.

13.11 Anropstøner

En anropstone varsler andre om at du ønsker å snakke.

13.11.1 Stille inn anropstone

Twintalker 9500 har 15 anropstøner.



- Trykk på ↔-knappen ⑦ 8 ganger, slik at "C" vises og den aktuelle anropstønen blinker.
- Trykk på ▲-knappen ⑪ eller ▼-knappen ⑩ for å skifte til en annen anropstone.
- Trykk på PTT-knappen ⑫ for å bekrefte og gå tilbake til hvilemodus.

13.11.2 Sende en anropstone

Trykk kort på Ⓜ-knappen ⑥ . Anropstønen vil bli sendt på den innstilte kanalen.

13.11.3 Anropstøner for mottak

- Trykk 9 ganger på ↔-knappen ⑦ .
- Trykk på ▲-knappen ⑪ eller ▼-knappen ⑩ for å skifte til en annen anropstone for mottak.

1. Bare tone 📢
2. Tone + vibrasjon 📢🔊
3. Bare vibrasjon 📢

Trykk på PTT-knappen ⑫ for å bekrefte og gå tilbake til hvilemodus.

13.12 Bekreftelsestøne På/Av

Når du slipper PTT-knappen ⑫ , kan radioen sende en bekræftelsestøne for å bekrefte at du har sluttet å snakke.



Stille inn bekræftelsestøne

- Trykk ti ganger på ↔-knappen ⑦ . "rO" vises på displayet.
- Trykk på ▲-knappen ⑪ for å aktivere (PÅ) eller ▼-knappen ⑩ for å deaktivere (AV) bekræftelsestønen.
- Trykk på PTT-knappen ⑫ for å bekrefte valget og gå tilbake til beredskapsstilling.

13.13 Tastetone på/av

For hver tast som trykkes høres et kort pip.



Slik stiller du inn tastetoner.

- Trykk 11 ganger på ↔-knappen ⑦ . "tO" vises på displayet.
- Trykk på ▲-knappen ⑪ for å aktivere (PÅ) eller ▼-knappen ⑩ for å deaktivere tastaturtoner (AV).
- Trykk på PTT-knappen ⑫ for å bekrefte valget og gå tilbake til standby-modus.

13.14 Dobbel kanallytting

I standby-modus er PMR innstilt på en bestemt kanal med CTCSS-/DCS-kode. PMR vil bare motta signaler som sendes på denne kanalen med den samme CTCSS-/DCS-koden. Med Dual Channel Monitor (DCM) kan du overvåke en ekstra kanal med CTCSS-/DCS-kode.

- Trykk på ↔-knappen ⑦ 12 ganger, og "DCM OFF" blinker på displayet.
- Trykk på ▲-knappen ⑪ eller ▼-knappen ⑩ for å skifte kanal.
- Trykk på ↔-knappen ⑦ for å bekrefte kanalvalget og gå til valg av CTCSS-kanal. (Trykk på ↔-knappen ⑦ på nytt for å bekrefte DCS-valget)
- Trykk på ▲-knappen ⑪ eller ▼-knappen ⑩ for å skifte CTCSS- eller DCS-kode.
- Trykk på PTT-knappen ⑫ for å bekrefte og gå tilbake til hvilemodus.
- Hvis du vil deaktivere funksjonen, velger du "OFF" når du stiller inn DCM-kanalen.



Når dobbel kanallytting er aktivert, vil PMR skifte vekselvis mellom beredskapskanalen og CTCSS-/DCS-koden og den doble kanalen og CTCSS-/DCS-koden.

13.15 Tastelås



- Trykk inn ⇨-knappen ⑦ og hold den inne i 3 sekunder for å aktivere tastelås-modusen. Tastelås-ikonet vises på LCD-displayet.
- Trykk og hold inne ⇨-knappen ⑦ igjen i 3 sekunder for å deaktivere tastelåsen



PTT -knappen ⑫, ●-knappen ⑥ og ↓-knappen ① vil fortsatt være i funksjon når tastelåsen er aktivert.

13.16 Vise bakgrunnsbelysning

For å aktivere bakgrunnsbelysningen av LCD-displayet trykker du en vilkårlig tast utenom PTT -knappen ⑫ eller ●-knappen ⑥.

LCD-belysningen vil lyse opp i 6 sekunder.

14 Øretelefonkontakt

Kontakten er plassert på toppen av enheten ②.

Plugg øretelefonpluggen inn i kontakten (2,5 mm audioplugg).

Den lille knappen på øretelefonen har den samme funksjonen som PTT -knappen ⑫ på enheten.

Når du bruker PTT -knappen ⑫ fra øretelefonen, må du også snakke gjennom mikrofonen i øretelefonen..



Unngå å kople til andre øretelefoner. Disse kan føre til skader på apparatet.

15 Feilsøking

Ingen strøm	Rengjør batterikontaktene med en myk, tørr klut. Skift ut batteriene.
Ingen sending	Forsikre deg om at PTT -knappen ⑫ er trykket helt inn før du snakker. Kontroller aktiviteten på kanalen, og skift til en annen kanal hvis den aktuelle er i bruk av andre.
Mottar ikke	Kontroller høyttalervolumet. Forsikre deg om at du er innenfor rekkevidde av senderen, og reguler posisjonen din om nødvendig.
Begrenset rekkevidde og støy under sending	Rekkevidden er avhengig av terrenget. Stålkonstruksjoner, murbygninger og bruk inne i kjøretøyer virker negativt inn på rekkevidden. Forsøk å unngå så mange hindringer som mulig, og prøv å ha fri siktlinje mellom PM-radioene. Juster de innbyrdes posisjonene.
Interferens	Sender og mottaker er for nærme hverandre. Minsteavstanden mellom to enheter er 1,5 meter.

16 Tekniske spesifikasjoner

Kanaler	8
Underkode	CTCSS 38 / DCS 83
Frekvens	446.00625 MHz - 446.09375 MHz
Rekkevidde	Opptil 10 km (åpent lende)
Batteri	Li-ion 3.7 V oppladbare
Sendeeffekt	=< 500 mW ERP
Modulasjonstype	FM - F3E
Kanalavstand	12,5 kHz
Dobbeltlader-adapter	Strøminntak: 230 V AC / 50Hz - effekt: 7,5 V DC / 750 mA

Channel Frequency Chart:		CTCSS Code Chart							
Channel	Frequency (MHz)	Code	Frequency (Hz)	Code	Freq. (Hz)	Code	Freq. (Hz)	Code	Freq. (Hz)
1	446,00625	0	Disabled	10	94,8	20	131,8	30	186,2
2	446,01875	1	67,0	11	97,4	21	136,5	31	192,8
3	446,03125	2	71,9	12	100,0	22	141,3	32	203,5
4	446,04375	3	74,4	13	103,5	23	146,2	33	210,7
5	446,05625	4	77,0	14	107,2	24	151,4	34	218,1
6	446,06875	5	79,7	15	110,9	25	156,7	35	225,7
7	446,08125	6	82,5	16	114,8	26	162,2	36	233,6
8	446,09375	7	85,4	17	118,8	27	167,9	37	241,8
		8	88,5	18	123,0	28	173,8	38	250,3
		9	91,5	19	127,3	29	179,9		

DCS Code Chart							
No	DCS code	No	DCS code	No	DCS code	No	DCS code
0	Disabled	21	134	42	311	63	516
1	23	22	143	43	315	64	532
2	25	23	152	44	331	65	546
3	26	24	155	45	343	66	565
4	31	25	156	46	346	67	606
5	32	26	162	47	351	68	612
6	43	27	165	48	364	69	624
7	47	28	172	49	365	70	627
8	51	29	174	50	371	71	631
9	54	30	205	51	411	72	632
10	65	31	223	52	412	73	654
11	71	32	226	53	413	74	662
12	72	33	243	54	423	75	664
13	73	34	244	55	431	76	703
14	74	35	245	56	432	77	712
15	114	36	251	57	445	78	723
16	115	37	261	58	464	79	731
17	116	38	263	59	465	80	732
18	125	39	265	60	466	81	734
19	131	40	271	61	503	82	743
20	132	41	306	62	506	83	754

17 Topcom-garanti

17.1 Garantiperiode

Alle Topcom-produkter leveres med 24 måneders garanti. Garantiperioden gjelder fra den dagen det nye produktet blir kjøpt. Det gis ingen garanti for standard eller oppladbare batterier (type AA/AAA).

Forbruksdeler eller defekter som ikke medfører merkbar virkning på apparatets funksjon eller verdi dekkes ikke.

Garantien må dokumenteres med den originale kjøpskvitteringen eller en kopi av denne, der kjøpsdato og produktmodell er angitt.

17.2 Garantibestemmelser

Defekte produkter må returneres til et Topcom-servicesenter sammen med en gyldig kjøpskvittering og utfylt servicekort.

Hvis det oppstår feil ved produktet i løpet av garantiperioden, vil Topcom eller deres offisielle servicesenter kostnadsfritt reparere eventuelle feil/mangler forårsaket av material- eller produksjonsfeil, enten ved å reparere eller ved å erstatte den defekte enheten eller deler av den. Ved erstatning kan farge eller modell avvike fra det opprinnelig innkjøpte produktet.

Den opprinnelige kjøpsdatoen fastsetter garantiperiodens start. Garantiperioden utvides ikke selv om produktet er skiftet ut eller reparert av Topcom eller deres servicesentre.

17.3 Unntak fra garantien

Feil eller mangler som skyldes feil håndtering eller bruk, og feil som skyldes bruk av uoriginale deler eller tilbehør, dekkes ikke av garantien.

Garantien dekker ikke skade forårsaket av ytre faktorer som lynnedslag, vann eller ild, eller skade som har oppstått under transport.

Garantien er ikke gyldig hvis serienummeret på apparatet er endret, fjernet eller gjort uleselig. Eventuelle garantikrav anses som ugyldige hvis produktet er reparert, endret eller modifisert av kjøperen.

1 Johdanto

Kiitos, että ostit Twintalker 7100 Sports Packin. Se on laajan toimintasäteen pienitehoinen radioviestintälaitte, jonka maksimitoimintasäde on 10 km. Siitä ei aiheudu muita käyttökustannuksia kuin akkujen lataamisesta johtuvat minimaaliset kulut. TwinTalker toimii 8 kanavalla.

2 Käyttötarkoitus

Sitä voi käyttää erilaisiin virkistystarkoituksiin. Esimerkiksi: yhteydenpitoon matkustettaessa kahdella tai useammalla autolla, pyöräillessä, hiihtorekillä. Sen avulla voit pitää yhteyttä lapsiin heidän leikkiessään ulkona jne.

3 CE-merkintä

CE-merkintä laitteessa, käyttöoppaassa ja lahjapakkauksessa ilmaisee, että laite täyttää radio- ja telepäätelaitedirektiivin 1999/5/EY olennaiset vaatimukset.

4 Turvaohjeet

4.1 Yleiset

Lue huolellisesti seuraavat turvallisuutta ja asianmukaista käyttöä koskevat ohjeet. Tutustu kaikkiin laitteen toimintoihin. Säilytä tämä käyttöohje varmassa paikassa tulevaa tarvetta varten.

4.2 Palovammat

- Jos antennin suojus on vioittunut, älä koske siihen, sillä kun antenni koskettaa ihoa, lähetyksen aikana voi syntyä pieni palovamma.
- Akut voivat aiheuttaa omaisuudelle vahinkoa, kuten palovammoja, jos sähköä johtava materiaali, kuten korut, avaimet tai helminauhut, koskettaa paljaita liittimiä. Materiaali voi muodostaa sähköpiiriin (oikosulku) ja kuumentua huomattavasti. Ole varovainen ladatun akun käsittelyssä, etenkin jos se on taskussa, kukkarossa tai muussa metalliesineitä sisältävässä paikassa.

4.3 Tapaturmat

- Älä aseta laitetta turvatyynyn yläpuolelle tai alueelle, jolla sitä käytetään. Turvatyyny täytyy suurella voimalla. Jos PMR-laitte asetetaan tyynyn käyttöalueelle ja ilmatyyny täytyy, viestintälaitte voi sinkoutua liikkeelle suurella voimalla ja aiheuttaa ajoneuvossa oleville vakavia vammoja.
- Pidä PMR-laitte ainakin 15 senttimetrin päässä sydämentahdistajasta.
- Katkaise PMR-laitteesta virta heti, jos se aiheuttaa häiriöitä lääketieteellisiin laitteisiin.

4.4 Räjähdyksvaara

- Älä vaihda akkuja mahdollisesti räjähdysalttiissa ympäristössä. Koskettimet voivat kipinöidä akkuja asennettaessa tai poistettaessa ja aiheuttaa räjähdysten.
- Katkaise PMR-laitteesta virta oleskellessasi alueella, jolla ympäristö voi olla räjähdysaltis. Sellaisilla alueilla kipinät voisivat aiheuttaa räjähdysten tai tulipalon, josta voi olla seurauksena fyysinen vamma tai jopa kuolema.
- Älä koskaan heitä akkuja tuleen, sillä ne voivat räjähtää.



Alueet, joilla ympäristö voi olla räjähdysaltis, on usein merkitty selvästi, muttei aina. Sellaisia ovat tankkausalueet, kuten veneiden takakansi, polttoaineen tai kemikaalin kuljetus- tai varastointialueet; alueet, joilla ilma sisältää kemikaaleja tai hiukkasia, kuten vilja-, pöly- tai metallijauheita; samoin kaikki alueet, joilla normaalisti kehoitettaisiin sammuttamaan ajoneuvon moottori.

4.5 Myrkytysvaara

- Pidä akut poissa pienten lasten ulottuvilta.

4.6 Lakiasiaa

- Joissakin maissa henkilökohtaisten kannettavien radioiden käyttö on kiellettyä ajoneuvon ajamisen aikana. Poistu siinä tapauksessa tieltä ennen laitteen käyttöä.
- Katkaise laitteesta virta lentokoneessa ollessasi, jos sinua kehoitetaan tekemään niin. PMR-laitetta saa käyttää ainoastaan lentoyhtiön sääntöjen tai miehistön ohjeiden mukaan.
- Katkaise PMR-laitteesta virta kaikissa tiloissa, joissa on kylttejä, joissa kehoitetaan tekemään niin. Sairaaloissa tai terveydenhuoltolaitoksissa käytetään kenties laitteita, jotka ovat herkkiä ulkoiselle radiotaajuiselle energialle.
- Antennin vaihtaminen tai muuttaminen voi vaikuttaa henkilökohtaisen kannettavan radion ominaisuuksiin ja olla CE-määräysten vastaista. Luvattomat antennit voivat myös vioittaa radiota.

4.7 Huomautukset

- Älä koske antenniin lähetyksen aikana, se voi vaikuttaa kantama-alueeseen.
- Poista akut, jos laite on käyttämättä pidemmän aikaa.

5 Puhdistaminen ja kunnossapito

- Puhdista laite pyyhkimällä se vedellä kostutetulla pehmeällä liinalla. Älä käytä laitteeseen puhdistusaineita tai liuotinaiteita; ne voivat vaurioittaa kuorta ja vuotaa laitteen sisään aiheuttaen pysyvää vahinkoa.
- Akkujen kosketuspinnat voidaan pyyhkiä kuivalla, nukkaamattomalla liinalla.
- Jos laite kastuu, katkaise siitä virta ja poista akut välittömästi. Kuivaa akkulokero pehmeällä liinalla veden aiheuttamien vahinkojen minimoimiseksi. Jätä akkulokeron kansi auki yön yli tai kunnes lokero on täysin kuiva. Älä käytä laitetta, ennen kuin se on kuivunut kokonaan.

6 Laitteen hävittäminen (ympäristöystävällisesti)



Kun et enää käytä laitetta, älä heitä sitä tavallisen kotitalousjätteen sekaan vaan vie se sähkö- ja elektroniikkalaitteiden kierrätystä varten perustettuun keräyspisteeseen. Tuotteessa, käyttöoppaassa ja/tai tuotepakkauksessa on tästä kertova merkki.

Jos viet laitteen kierrätyspisteeseen, joitakin sen osia voidaan käyttää uudelleen. Käyttämällä uudelleen tuotteen joitakin osia tai raaka-aineita teet arvokasta ympäristötyötä. Ota yhteyttä paikallisiin viranomaisiin, jos tarvitset lisätietoja alueellasi sijaitsevista keräyspisteistä.

7 PMR-laitteen käyttö

Jotta PMR-laitteiden välinen viestintä olisi mahdollista, ne on kaikki viritettävä samalle kanavalle, niillä on oltava sama CTCSS/DCS-koodi (katso luku "13.7 CTCSS (Continuous Tone Coded Squelch System) / DCS (Digital Coded Squelch)"), ja niiden on oltava vastaanottoalueen sisällä (enintään 10 km avoimessa maastossa). Koska nämä laitteet käyttävät vapaita taajuuskaistoja (kanavia), kaikki käytössä olevat laitteet jakavat nämä kanavat (yhteensä 8 kanavaa). Siksi yksityisyyttä ei voida taata. Kuka tahansa, jonka PMR-laite on viritetty samalle kanavalle kuin omasi, voi kuulla keskustelun. Jos haluat kommunikoida (lähettää puhesignaalin), sinun on painettava PTT -näppäintä (12).

Kun olet painanut tätä näppäintä, laite siirtyy lähetystilaan ja voit puhua mikrofoniin. Viestisi kuuluu kaikista muista alueella, samalla kanavalla ja valmiustilassa (ei lähettämässä) olevista PMR-laitteista. Sinun on odotettava, kunnes toinen osapuoli lopettaa lähettämisen, ennen kuin voit vastata viestiin. Kunkin lähetyksen lopussa laite lähettää piip-äänen, jos vahvistuspiippaus on aktiivisena (ks. luku "13.12 Vahvistuspiippaus päälle/pois"). Voit vastata painamalla PTT -näppäintä (12) ja puhumalla mikrofoniin.



Jos 2 tai useampi käyttäjä painaa PTT -näppäintä (12) samanaikaisesti, vastaanottaja saa vain voimakkaimman signaalin ja muut signaalit vaimennetaan. Siksi signaalia tulee lähettää (painaa PTT -näppäintä (12)) vain kun kanava on vapaa.



Radioaaltojen kantamaan vaikuttavat voimakkaasti erilaiset esteet kuten rakennukset, betoniset/metalliset rakenteet, pinnanmuotojen epätasaisuus, metsä, kasvillisuus, ... Tämä tarkoittaa sitä, että kantama kahden tai useamman PMR-laitteen välillä voi ääriolosuhteissa olla vain muutamia kymmeniä metrejä. Huomaat pian, että PMR-laite toimii parhaiten silloin, kun käyttäjien välillä on mahdollisimman vähän esteitä.

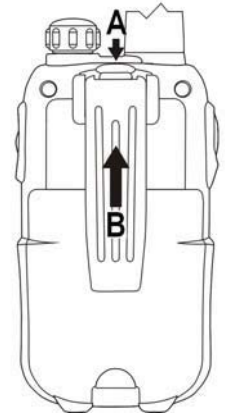
8 Pakkaukseen sisältyvät

- 2 x Twintalker 9500
- 2 x pöytälatari
- 2 x muuntaja
- 8 x AAA NiMh-akku
- Käyttöopas
- Kortti, johon on painettu huoltoliikkeen osoite ja palvelulinjan numero

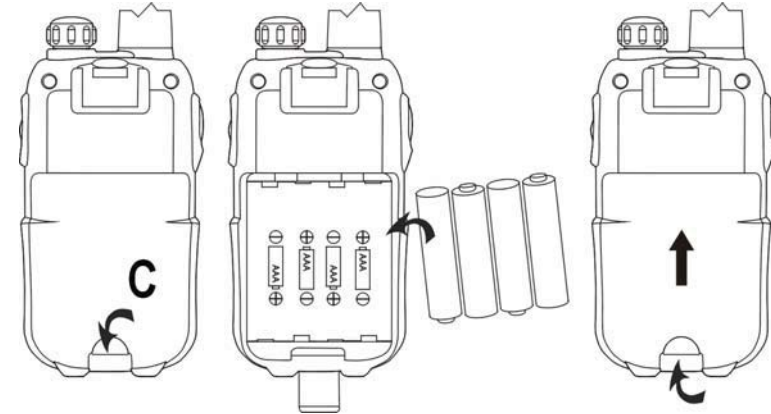
9 Käytön aloittaminen

9.1 Vyökiinnikkeen irrottaminen/asentaminen

1. Voit irrottaa vyökiinnikkeen laitteesta painamalla vyökiinnikettä (B) kohti antennia ja vetämällä samalla kiinnikkeen liuskaa (A).
2. Vyökiinnikettä asennettaessa napsahdus tarkoittaa, että vyökiinnike on lukittunut paikalleen.



9.2 Akkujen asettaminen



1. Irrota vyökiinnike (ks. luku "9.1 Vyökiinnikkeen irrottaminen/asentaminen")
2. Nosta akkulokeron kansi varovasti työntämällä kannen kiinnikettä (C) kynnen avulla.
3. Aseta NiMh-akut paikoilleen. Varmista NiMh-akkujen oikea polaarisuus.
4. Sulje akkulokero.
5. Kiinnitä vyökiinnike uudelleen.

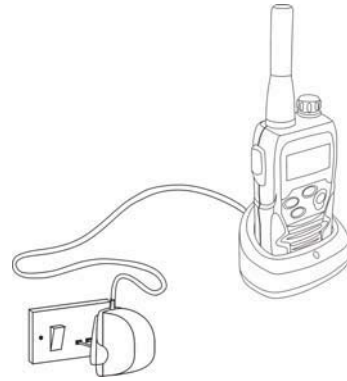
10 Akkujen lataaminen

PMR-laitteiden akun voi ladata kahdella eri tavalla:

10.1 Pöytäladurilla

Pöytäladuri tekee latauksesta nopeaa.

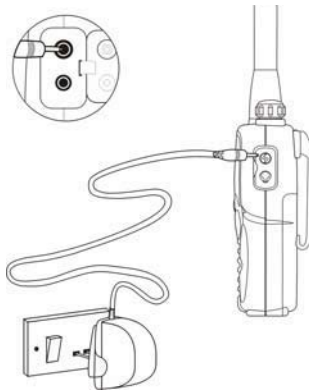
1. Aseta pöytäladuri tasaiselle pinnalle.
2. Kytke mukana toimitetun muuntajan toinen pää läheiseen pistorasiaan ja toinen pää pöytäladurin takapuolella olevaan liittimeen (28). (Katso taiteltu kansilehti, kuva 3)
3. Aseta radio laturiin kuten kuvassa.
4. Latauksen LED-merkkivalo (29) syttyy, jos puhelin on oikein asetettu ja latautuu. (Katso taiteltu kansilehti, kuva 3)



10.2 Muuntajan kytkeminen suoraan PMR-laitteeseen

1. Kytke muuntajan liitin suoraan PMR-laitteen laturiliitäntään (3).

Akkujen lataaminen täyteen kestää noin 8–10 tuntia.



Älä paina PMR-laitteiden PTT -painiketta (12) latauksen ollessa käynnissä!



**Älä aiheuta oikosulkuja tai heitä akkuja tuleen. Poista akut, jos laite on käyttämättä pidemmän aikaa.
Älä lataa paristoja, joita ei voi ladata uudelleen, kuten alkaliparistoja. Tämä voi vahingoittaa PMR-laitetta tai latausyksikköä.**

11 Kuvaus

Katso taiteltu kansilehti, kuva 1

1. Virtakatkaisin ja äänenvoimakkuuden säädin
2. Nestekidenäyttö
3. Laturiliitäntä
4. Kuulokkeen liitäntä
5. TX LED (palaa lähetyksen aikana)
6. Soitonäppäin
7. Valikkopainike
 - Siirry valikon asetuksiin
8. Mikrofoni
9. Kaiutin
10. Alas-näppäin
 - Valitse valikon edellinen arvo
11. Ylös-näppäin
 - Valitse valikon seuraava arvo
12. PTT-näppäin
13. Antenni

Katso taiteltu kansilehti, kuva 3

28. Laturiliitäntä
29. Laturin LED (palaa latauksen aikana)

12 Nestekidenäytön tiedot

Katso taiteltu kansilehti, kuva 2

14. CTCSS-ilmaisain
15. DCS-ilmaisain
16. CTCSS/DCS-arvo
17. Taajuusarvo MHz
18. MHz-arvo
19. Näppäimistön lukituskuvake
20. Puhelun vastaanottotyypin ilmaisu
21. Varaustason merkki
22. Kanavanumero
23. RX-kuvake
 - Näkyy vastaanotettaessa
24. TX-kuvake
 - Näkyy lähetettäessä
25. VOX-ilmaisain
26. Haun ilmaisin
27. 2-kanavaisen tilan (DCM) ilmaisin

13 Twintalker 9500:n käyttö



Seuraavien sivujen kuvissa näytöstä esitellään vain niiden toimintojen kuvakkeet tai näyttötiedot, jotka on esitelty tekstissä.

13.1 PMR-radion laittaminen päälle/pois päältä



- Käännä päällä/pois/äänenvoimakkuus-näppäintä ① myötäpäivään. Napsahdus osoittaa, että PMR-radio on päällä.
- Käännä päällä/pois/äänenvoimakkuus-näppäin ① loppuun saakka vastapäivään. Napsahdus osoittaa, että PMR-radio on pois päältä.

13.2 Akun lataustason / heikon latauksen näyttö

Akun lataustaso käy ilmi neliöiden määrästä nestekidenäytön Akku-kuvakkeen sisällä.



- Akku täynnä
- Akussa latausta 2/3
- Akussa latausta 1/3
- Akku tyhjä

Kun akun lataustaso on heikko, Akku-kuvake vilkkuu ja kuuluu merkkiääni merkinä siitä, että akut on joko vaihdettava tai ladattava.

13.3 Kaiuttimen äänenvoimakkuuden säätäminen

- Käännä päällä/pois/äänenvoimakkuus-näppäintä ① myötäpäivään kaiuttimen äänenvoimakkuuden lisäämiseksi.
- Käännä vastapäivään äänenvoimakkuuden pienentämiseksi.

13.4 Signaalin vastaanottaminen

Laitte on aina Vastaanotto-tilassa, kun se on käynnissä eikä lähetä mitään.



Jotta muut voisivat vastaanottaa lähetyksesi, heidän on oltava viritettyinä samalle kanavalle ja käytettävä samaa CTCSS- tai DCS-koodia. (Katso lukuja "13.6 Kanavien vaihtaminen" ja "13.7 CTCSS (Continuous Tone Coded Squelch System) / DCS (Digital Coded Squelch)"). Käytössä voi olla joko CTCSS tai DCS, mutta ei kumpikin samaan aikaan.

13.5 Signaalin lähettäminen



- Lähetä painamalla PTT-näppäintä ⑫ ja pitämällä sitä pohjassa. Näytölle tulee TX-symboli.
- Pidä laitetta pystyasennossa mikrofoni 10 cm:n päässä suusta ja puhu mikrofoniin.
- Päästä PTT-näppäin ⑫, kun haluat lopettaa lähettämisen.



Voit tarkistaa kanavan toiminnan käyttämällä tarkkailutoimintoa. (Katso lukua "13.8 Tarkkailu").

13.6 Kanavien vaihtaminen



- Paina \leftrightarrow -näppäintä ⑦ kerran, nykyisen kanavan numero vilkkuu näytöllä.
- Voit vaihtaa kanavaa painamalla \blacktriangle -näppäintä ⑪ tai \blacktriangledown -näppäintä ⑩.
- Vahvista ja palaa valmiustilaan painamalla PTT-näppäintä ⑫.



Jos mitään painiketta ei paineta 5 sekuntiin asetusten määrittämisen aikana, laite palaa valmiustilaan.

13.7 CTCSS (Continuous Tone Coded Squelch System) / DCS (Digital Coded Squelch)

Lisenssittömissä PMR-radioissa, jotka toimivat 446 MHz:n taajuuskaistalla, kuten Twintalker 9500 PMR, on 8 mahdollista radiokanavaa. Jos lähistöllä on useita PMR-laitteen käyttäjiä, on mahdollista, että jotkut näistä käyttäjistä ovat samalla radiokanavalla.

Alakanavia on integroitu estämään muiden käyttäjien signaalien vastaanottaminen.

Kaksi PMR-radiota voi kommunikoida keskenään ainoastaan silloin, kun ne toimivat samalla radiokanavalla ja ovat valinneet täsmälleen saman alakanavan.

Alakanavia on kahdenlaisia:

- CTCSS (Continuous Tone Coded Squelch System)
- DCS (Digital Coded Squelch)

Kun käytetään CTCSS:ää, puhesignaalin mukana lähetetään ääntä matalalla taajuudella (67 - 250 Hz). Valittavana on 38 eri ääntä. Voit vapaasti valita näiden 38 äänen joukosta. Äänen suodatuksen vuoksi äänet eivät yleisesti ole kuultavissa, joten ne eivät häiritse kommunikointia. DCS on CTCSS:n kaltainen, mutta sen sijaan, että se lähettäisi valitun taajuuden jatkuvaa ääntä, radiosignaaliin lisätään digitaalinen tiedonsiirto. Tätä digitaalista koodia lähetetään hyvin alhaisella nopeudella, noin 134 bittiä sekunnissa (koodi on 23 bitin pituinen). Vain uuden sukupolven PMR-laitteet tukevat DCS:ää. Saatavana on 83 DCS-koodia, joita voidaan käyttää. Koska aiemmat mallit tukevat vain CTCSS:ää, on parempi käyttää DCS:ää, koska tällä estetään se, että muut käyttäjät kuulevat PMR-keskustelusi.

13.7.1 CTCSS



- Paina ⇨ -painiketta (7) kahdesti: "CTCSS" ja nykyinen CTCSS-koodi vilkkuvat näytöllä.
- Voit vaihtaa koodia painamalla ▲ -näppäintä (11) tai ▼ -näppäintä (10).
- Vahvista ja palaa valmiustilaan painamalla PTT -näppäintä (12).

13.7.2 DCS



- Paina kolme kertaa ⇨ -näppäintä (7). "DCS" ja nykyinen DCS-koodi vilkkuvat näytöllä.
- Voit vaihtaa koodia painamalla ▲ -näppäintä (11) tai ▼ -näppäintä (10).
- Vahvista ja palaa valmiustilaan painamalla PTT -näppäintä (12).



Kun haluat ottaa CTCSS:n tai DCS:n pois käytöstä, valitse koodi "00" CTCSS:lle tai DCS:lle valikosta. Kun toiminto on vahvistettu, näytöllä lukee "OF".

13.8 Tarkkailu

Voit käyttää tarkkailutoimintoa tarkistaaksesi, onko nykyisellä kanavalla heikompia signaaleja.

- Voit aktivoida kanavien tarkkailun painamalla ⇨ -näppäintä (7) ja ▼ -näppäintä (10) samanaikaisesti.
- Lopeta kanavien tarkkailu painamalla ⇨ -näppäintä (7).



Kanavatarkkailun aikana PMR-laitteen vastaanotin ei kuuntele CTCSS- tai DCS-koodeja.

13.9 VOX-valinta

PMR-laitteella voidaan tehdä ääniohjattuja (VOX) lähetyksiä. VOX-tilassa radio lähettää signaalin, kun se aktivoidaan äänelläsi tai muulla lähelläsi olevalla äänellä. VOX-käyttöä ei suositella, jos aiot käyttää radiota meluisassa tai tuulisessa ympäristössä.



VOX-tila poistetaan käytöstä, kun painat PTT -näppäintä (12).



- Paina ⇨ -näppäintä (7) neljä kertaa, nykyinen VOX-asetus vilkkuu näytöllä ja esiin tulee VOX-kuvake.
- Paina ▲ -painiketta (11) asettaaksesi VOX-herkkyystason välille 1 - 3 (taso 3 on kaikkein herkin taso).
- Kytke VOX-toiminto pois päältä painamalla ▼ -näppäintä (10), kunnes näytölle tulee teksti "OFF".
- Vahvista ja palaa valmiustilaan painamalla PTT -näppäintä (12).

13.10 Kanavahaku

Kanavahaku etsii aktiivisia signaaleja kiertäen loputtomasti kanavia 1–8.

Kun aktiivinen kanava löytyy, voit etsiä CTCSS- tai DCS-koodia, jonka kanavaa käyttävä käyttäjä on asettanut.

13.10.1 Aktiivisen radiokanavan hakeminen



- Paina viisi kertaa ⇨ -näppäintä (7). "SCAN" ja nykyinen kanava vilkkuvat näytöllä.
- Voit aloittaa kanavahaun painamalla ▲ -näppäintä (11) tai ▼ -näppäintä (10).

Kun aktiivinen kanava löytyy, haku loppuu ja voit kuunnella lähetystä.

Kun lähetys löydetyllä kanavalla loppuu, haku käynnistyy automaattisesti uudelleen.



Jos painat PTT -painiketta (12) samalla, kun kuuntelet löydettyä kanavaa, PMR-laite palaa valmiustilaan löydetyllä kanavalla.

13.10.2 CTCSS-koodin haku

Kun aktiivinen kanava on löytynyt, paina PTT -painiketta (12) valitaksesi löydetyn aktiivisen kanavan. Nyt voit etsiä CTCSS- tai DCS-koodia, jota löytämäsi käyttäjä käyttää.



- Paina kuusi kertaa ⇨ -näppäintä (7). "SCAN" ja "CTCSS 00" vilkkuu näytöllä valitun radiokanavan kohdalla.
- Voit aloittaa CTCSS-haun painamalla ▲ -näppäintä (11) tai ▼ -näppäintä (10).

Kun kanavalla on lähetys, CTCSS-koodi (mikäli käytössä) havaitaan ja se näkyy näytössä.



- Jos painat PTT -painiketta (12) samalla, kun kuuntelet löytynyttä CTCSS-koodia, PMR-laite palaa valmiustilaan kanavalla, jolla CTCSS-koodi on.
- Jos CTCSS-koodia ei havaita, on mahdollista, että käyttäjä on valinnut DCS:n. Siinä tapauksessa voit hakea DCS-koodia. (kohta 13.10.3)

13.10.3 DCS-koodin haku



- Paina seitsemän kertaa ⇄ -näppäintä (7) . "SCAN" ja "DCS 00" vilkkuvat näytöllä valitun radiokanavan kohdalla.
- Voit aloittaa DCS-haun painamalla ▲ -näppäintä (11) tai ▼ -näppäintä (10) .

Kun kanavalla on lähetys, DCS-koodi (mikäli käytössä) havaitaan ja se näkyy näytössä.



Jos painat PTT -painiketta (12) samalla, kun kuuntelet löytynyttä DCS-koodia, PMR-laite palaa valmiustilaan kanavalla, jolla DCS-koodi on.

13.11 Soittoäännet

Soittoääni kertoo toisille, että haluat puhua.

13.11.1 Soittoäänien asettaminen

Twintalker 9500:ssä on 15 eri soittoääntä.



- Paina ⇄ -painiketta (7) kahdeksan kertaa, näytöllä lukee "C", ja nykyinen soittoääni vilkkuu.
- Voit vaihtaa soittoääntä painamalla ▲ -näppäintä (11) tai ▼ -näppäintä (10) .
- Vahvista ja palaa valmiustilaan painamalla PTT -näppäintä (12) .

13.11.2 Soittoäänien lähettäminen

Paina lyhyesti))) -näppäintä (6) . Soittoääni lähetetään asetetulla kanavalla.

13.11.3 Soittoäänien vastaanottotyyppi

- Paina yhdeksän kertaa ⇄ -näppäintä (7) .
- Valitse soittoäänien vastaanottotyyppi painamalla ▲ -näppäintä (11) tai ▼ -näppäintä (10) .
 1. Vain ääni 🗣️
 2. Ääni + tärinä 🗣️🔊
 3. Vain tärinä 🗣️🔊

Vahvista ja palaa valmiustilaan painamalla PTT -näppäintä (12) .

13.12 Vahvistuspiippaus päälle/pois

Kun olet päästynyt PTT -näppäimen (12) , laite lähettää vahvistuspiippauksen merkiksi siitä, että olet lopettanut puhelun.



Vahvistuspiippauksen asettaminen

- Paina ⇄ -näppäintä (7) kymmenen kertaa. Näytölle tulee teksti 'rO'.
- Paina ▲ -näppäintä (11) ottaaksesi vahvistuspiippauksen käyttöön (ON) tai ▼ -näppäintä (10) poistaaksesi sen käytöstä (OFF).
- Vahvista ja palaa valmiustilaan painamalla PTT -näppäintä (12) .

13.13 Näppäinäni päälle/pois

Näppäintä painettaessa laitteesta kuuluu lyhyt piippaus.



Näppäinänen asettaminen.

- Paina yksitoista kertaa ⇄ -näppäintä (7) . Näytölle tulee teksti 'tO'.
- Paina ▲ -näppäintä (11) ottaaksesi näppäinänet käyttöön (ON) tai ▼ -näppäintä (10) poistaaksesi ne käytöstä (OFF).
- Vahvista valintasi painamalla PTT -näppäintä (12) ja palaa valmiustilaan.

13.14 Kahden kanavan tarkkailutoiminto

Valmiustilassa PMR-laite on asetettu yhdelle tietylle kanavalle, jolla on CTCSS/DCS-koodi. PMR-laite vastaanottaa ainoastaan tällä kanavalla ja CTCSS/DCS-koodilla lähetettyjä signaaleja.

Kahden kanavan tarkkailulla (DCM) voit tarkkailla toista kanavaa, jolla on CTCSS/DCS-koodi.

- Paina ⇄ -painiketta (7) kaksitoista kertaa, "DCM OFF" vilkkuu näytöllä.
- Voit vaihtaa kanavaa painamalla ▲ -näppäintä (11) tai ▼ -näppäintä (10) .
- Vahvista kanavavalinta painamalla ⇄ -näppäintä (7) ja siirry CTCSS-valintaan. (Paina ⇄ -näppäintä (7) uudelleen mennäksesi DCS-valintaan)
- Voit vaihtaa CTCSS- tai DCS-koodia painamalla ▲ -näppäintä (11) tai ▼ -näppäintä (10) .
- Vahvista ja palaa valmiustilaan painamalla PTT -näppäintä (12) .
- Voit poistaa toiminnon käytöstä valitsemalla "OFF" valitessasi DCM-kanavaa.



Kun kahden kanavan tarkkailutoiminto on käytössä, PMR-laite vaihtaa ajoittain valmiuskanavan + CTCSS/DCS-koodin sekä kaksoiskanavan + CTCSS/DCS-koodin välillä.

13.15 Näppäinlukko



- Ota näppäinlukitustila käyttöön painamalla ⇨ -näppäintä ⑦ ja pitämällä sitä pohjassa 3 sekunnin ajan. Nestekidenäytöllä näkyy näppäinlukituksen kuvake.
- Poista näppäinlukko käytöstä painamalla jälleen ⇨ -näppäintä ⑦ kolmen sekunnin ajan.



PTT -näppäin ⑫, •) -näppäin ⑥ ja ⏏ -näppäin ① ovat toiminnassa myös silloin, kun näppäinlukko on aktivoitu.

13.16 Näytön taustavalo

Voit ottaa käyttöön nestekidenäytön taustavalon painamalla mitä tahansa näppäintä paitsi PTT -näppäintä ⑫ tai •) -näppäintä ⑥.

Nestekidenäytön taustavalo palaa 6 sekunnin ajan.

14 Kuulokeliitäntä

Liitin on laitteen yläreunassa ②.

Aseta kuulokkeen pistoke liittimeen (2,5 mm jakkiliitin).

Kuulokkeen pienellä painikkeella on sama toiminto kuin laitteen PTT -näppäimellä ⑫

Kun käytät kuulokkeen PTT -näppäintä ⑫, sinun on käytettävä myös kuulokkeen mikrofonia puhuaksesi.



Älä kytke laitteeseen muita kuulokkeita. Se voisi vahingoittaa laitetta.

15 Vianmääritys

Ei virtaa	Puhdista paristojen kosketuspinnat pehmeällä liinalla. Vaihda akut.
Ei lähetystä	Varmista, että PTT -näppäin ⑫ on kokonaan pohjassa, ennen kuin alat puhua. Tarkkaile kanavan toimintaa, ja vaihda toiselle kanavalle, jos nykyinen on käytössä.
Ei vastaanottoa	Tarkista kaiuttimen äänenvoimakkuus. Varmista, että olet lähettimen vastaanottoalueella, ja vaihda tarvittaessa paikkaa.
Rajallinen kuuluvuusalue ja häiriöitä lähetyksen aikana	Kuuluvuusalue riippuu maastosta. Teräsrakenteilla, betonirakennuksilla ja laitteen käytöllä ajoneuvossa on huono vaikutus kuuluvuusalueeseen. Yritä välttää esteitä mahdollisuuksien mukaan, ja pyri kommunikoidaan paikassa, jossa on hyvä näkyvyys. Vaihda paikkaa.
Häiriöt	Vastaanotin ja lähetin ovat liian lähellä toisiaan. Pienin 2 laitteen välinen etäisyys on 1,5 m.

16 Tekniset tiedot

Kanavat	8
Alakoodi	CTCSS 38 / DCS 83
Taajuus	446,00625MHz - 446,09375 MHz
Alue	Enintään 10 km (avoin maasto)
Paristo	Li-ioni 3,7 V ladattava
Lähetysteho	=< 500mW ERP
Modulointityyppi	FM - F3E
Kanavaväli	12,5 Khz
Kaksoislaturin sovitin	Tulo: 230 V AC / 50Hz - lähtö: 7,5 V DC / 750mA

Channel Frequency Chart:		CTCSS Code Chart							
Channel	Frequency (MHz)	Code	Frequency (Hz)	Code	Freq. (Hz)	Code	Freq. (Hz)	Code	Freq. (Hz)
1	446,00625	0	Disabled	10	94,8	20	131,8	30	186,2
2	446,01875	1	67,0	11	97,4	21	136,5	31	192,8
3	446,03125	2	71,9	12	100,0	22	141,3	32	203,5
4	446,04375	3	74,4	13	103,5	23	146,2	33	210,7
5	446,05625	4	77,0	14	107,2	24	151,4	34	218,1
6	446,06875	5	79,7	15	110,9	25	156,7	35	225,7
7	446,08125	6	82,5	16	114,8	26	162,2	36	233,6
8	446,09375	7	85,4	17	118,8	27	167,9	37	241,8
		8	88,5	18	123,0	28	173,8	38	250,3
		9	91,5	19	127,3	29	179,9		

DCS Code Chart							
No	DCS code	No	DCS code	No	DCS code	No	DCS code
0	Disabled	21	134	42	311	63	516
1	23	22	143	43	315	64	532
2	25	23	152	44	331	65	546
3	26	24	155	45	343	66	565
4	31	25	156	46	346	67	606
5	32	26	162	47	351	68	612
6	43	27	165	48	364	69	624
7	47	28	172	49	365	70	627
8	51	29	174	50	371	71	631
9	54	30	205	51	411	72	632
10	65	31	223	52	412	73	654
11	71	32	226	53	413	74	662
12	72	33	243	54	423	75	664
13	73	34	244	55	431	76	703
14	74	35	245	56	432	77	712
15	114	36	251	57	445	78	723
16	115	37	261	58	464	79	731
17	116	38	263	59	465	80	732
18	125	39	265	60	466	81	734
19	131	40	271	61	503	82	743
20	132	41	306	62	506	83	754

17 Topcom-takuu

17.1 Takuuaika

Topcom-laitteilla on 24 kuukauden takuu. Takuuaika alkaa uuden laitteen ostopäivästä. Takuu ei kata tavallisia paristoja eikä ladattavia akkuja (AA/AAA-tyyppi).

Jos tarvikkeet tai viat aiheuttavat laitteelle vähäisiä toimintahäiriöitä tai laskevat hieman laitteen arvoa, takuu ei korvaa tällaisia menetyksiä.

Takuu myönnetään alkuperäistä kuittia tai sen jäljennöstä vastaan, jos kuitissa on mainittu ostopäivämäärä ja laitteen tyyppi.

17.2 Takuumenettely

Viallinen laite on palautettava Topcomin palvelukeskukseen ostokuitin ja täytetyn huoltokortin kera.

Jos laitteeseen tulee vika takuuajana, Topcom tai sen virallisesti nimeämä palvelukeskus korjaa materiaali- tai valmistusvirheistä johtuvat viat maksutta, korjaamalla tai vaihtamalla vialliset laitteet tai viallisen laitteen osat. Jos laite vaihdetaan, väri ja malli voivat olla erilaiset kuin alun perin ostetussa laitteessa.

Alkuperäinen ostopäivä ratkaisee takuun alkamisajan. Takuuaika ei pitene, jos Topcom tai nimetty palvelukeskus vaihtaa tai korjaa laitteen.

17.3 Tilanteet, joissa takuuta ei ole

Takuu ei korvaa vääränlaisesta käsittelystä tai käytöstä johtuvia vaurioita eikä vaurioita, jotka johtuvat muiden kuin alkuperäisten osien tai lisälaitteiden käytöstä.

Takuu ei korvaa ulkopuolisten tekijöiden, kuten salama-, vesi- tai palovahinkojen aiheuttamia vaurioita eikä kuljetuksen aikana aiheutuneita vaurioita.

Takuu ei ole voimassa, jos laitteen sarjanumero on muutettu, poistettu tai tehty lukukelvottomaksi.

Takuu raukeaa, jos ostaja on korjannut, muuttanut tai muunnellut laitetta.

1 Introduzione

Grazie per avere acquistato il Twintalker 7100 Sports Pack. Si tratta di un apparato per radiocomunicazioni a lungo raggio, a basso consumo di energia, con una copertura massima di 10 Km, il cui unico e minimo costo di esercizio è rappresentato dalla ricarica delle batterie. Il Twintalker funziona su 8 canali.

2 Destinazione d'uso

L'unità può essere utilizzata per impieghi ricreativi. Ad esempio: mantenere un contatto durante un viaggio fra 2 o più automobili, ciclisti o sciatori. I genitori possono inoltre utilizzarlo per tenersi in contatto con i figli mentre giocano fuori casa, ecc.

3 Marchio CE

Il simbolo CE riportato sull'unità, nel manuale d'uso e sulla confezione indica che l'unità è conforme ai requisiti fondamentali della direttiva R&TTE 1995/5/CE.

4 Norme di sicurezza

4.1 Informazioni generali

Si prega di leggere attentamente le seguenti informazioni relative alla sicurezza e ad un utilizzo appropriato dell'unità. Acquisire la necessaria familiarità con tutte le funzioni dell'apparecchio. Conservare il presente manuale in un luogo sicuro per ogni futura consultazione.

4.2 Rischio di ustioni

- Evitare di toccare un'antenna il cui rivestimento sia stato danneggiato. Durante la trasmissione, il contatto dell'antenna danneggiata con la pelle potrebbe provocare ustioni di lieve entità.
- Le batterie possono causare danni a cose e/o lesioni a persone (ad esempio ustioni) in caso di contatto tra materiali conduttivi (gioielli, chiavi, catenelle) e i morsetti esposti. Il materiale in questione può fungere da chiusura del circuito elettrico (cortocircuito) e surriscaldarsi. Usare la massima prudenza durante l'impiego di qualunque batteria carica, in particolare se viene infilata in tasca, in borsa o in altri recipienti assieme a oggetti metallici.

4.3 Lesioni

- Non appoggiare l'apparecchio nella zona sovrastante l'air bag o nella zona di apertura dell'air bag. Il gonfiaggio dell'air bag avviene infatti in modo estremamente energico. Se il PMR si trova sulla zona di apertura dell'air bag nel momento in cui questo si gonfia, è possibile che l'apparecchio venga proiettato con grande forza con rischio di gravi lesioni per gli occupanti del veicolo.
- I portatori di pacemaker dovranno tenere il PMR ad almeno 15 centimetri di distanza dal dispositivo.
- In caso di interferenza con qualsiasi apparecchiatura medica, spegnere immediatamente il PMR.

4.4 Pericolo di esplosione

- Non sostituire le batterie in ambienti a rischio di esplosione. Durante l'inserimento o la rimozione delle batterie, possono verificarsi scintille sui contatti, con conseguente rischio di esplosione.
- Quando ci si trova in un'area soggetta a rischio di esplosione, spegnere il PMR. L'emissione di scintille in tali aree può infatti dare origine a esplosioni o incendi con conseguente rischio di lesioni o morte.

- Non gettare mai le batterie sul fuoco, in quanto potrebbero esplodere.



Gli ambienti potenzialmente esplosivi sono spesso, ma non sempre, segnalati in modo chiaro. Tra questi: aree di rifornimento carburante (ad esempio sottocoperta di una imbarcazione) oppure impianti di trasferimento e stoccaggio di sostanze combustibili o chimiche; ambienti contenenti prodotti chimici o particelle in sospensione nell'aria, quali residui o polveri metalliche; qualsiasi altra zona in cui si raccomanda generalmente di spegnere il motore del proprio veicolo.

4.5 Rischio di avvelenamento

- Tenere le batterie fuori dalla portata dei bambini

4.6 Informazioni legali

- In alcuni paesi non è consentito utilizzare un apparecchio PMR mentre si è alla guida di una vettura. In tal caso, accostare prima di utilizzare l'apparecchio.
- Spegnere il PMR a bordo di aeromobili quando ne sia espressamente vietato l'uso. Qualsiasi utilizzo del PMR dovrà avvenire in conformità al regolamento della linea aerea o alle istruzioni dell'equipaggio.
- Spegnere il PMR in qualunque edificio in cui siano affissi cartelli che ne vietino l'uso. Gli ospedali o gli istituti sanitari possono fare uso di attrezzature sensibili all'energia a radiofrequenza esterna.
- La sostituzione (o la modifica) dell'antenna può avere effetti sulle specifiche radio PMR e causare la violazione delle norme CE. L'uso di un'antenna non autorizzata può inoltre danneggiare la radio.

4.7 Note

- Per evitare di ridurne la portata, non toccare l'antenna durante la trasmissione.
- Se si prevede di lasciare l'apparecchio inutilizzato per un periodo di tempo prolungato, rimuovere le batterie.

5 Pulizia e manutenzione

- Pulire l'apparecchio con un panno morbido inumidito con acqua. Non utilizzare mai detersivi o solventi, i quali, intaccando l'involucro esterno, possono penetrare all'interno dell'apparecchio causando danni irreparabili.
- Per pulire i contatti delle batterie è possibile servirsi di un panno asciutto che non sfilacci.
- Nel caso in cui l'apparecchio entri in contatto con l'acqua, spegnerlo e rimuovere immediatamente le batterie. Asciugare il vano batterie con un panno morbido per ridurre l'eventuale danno provocato dall'acqua. Lasciare il vano batterie aperto per almeno 24 ore o almeno fino ad una asciugatura completa. Non utilizzare l'apparecchio finché non è completamente asciutto.

6 Smaltimento dell'apparecchio (ambiente)



Alla conclusione del suo ciclo di vita, il prodotto non deve essere gettato nel contenitore dei rifiuti domestici, ma deve essere depositato presso un apposito punto di raccolta per il riciclaggio di apparecchi elettrici ed elettronici. Questa raccomandazione è riportata sul manuale d'uso e/o sulla confezione; è indicata, inoltre, dal simbolo riportato sul prodotto.

Alcuni materiali del prodotto possono essere riutilizzati se consegnati presso un centro di riciclaggio. Riciclando alcune parti o materie prime dei prodotti usati si offre un importante contributo alla protezione dell'ambiente. Per maggiori informazioni sui punti di raccolta più vicini, contattare le autorità locali.

7 Utilizzo di un apparecchio PMR

Per poter comunicare, due o più apparecchi PMR devono essere impostati sullo stesso canale, avere lo stesso codice CTCSS/DCS (consultare il capitolo "13.7 CTCSS (Continuous Tone Coded Squelch System, sistema squelch codificato a tono continuo) / DCS (Digital Coded Squelch, squelch codificato digitale)") e trovarsi entro la portata di ricezione (fino a un massimo di 10 km in campo aperto). Utilizzando bande (canali) di frequenza libera, tutti gli apparecchi attivi in un dato momento si trovano a condividere gli stessi canali (8 in tutto). La privacy, pertanto, non può essere garantita. Una conversazione fra due utenti può essere ascoltata da chiunque possieda un PMR sintonizzato sullo stesso canale. Per comunicare (trasmettere un segnale vocale) è necessario premere il PTT tasto ⑫.

Una volta premuto il tasto, l'apparecchio entra in modalità di trasmissione ed è possibile parlare nel microfono. Tutti gli altri apparecchi PMR che si trovano nel raggio di portata, sullo stesso canale e in modalità di stand-by (non in trasmissione) riceveranno il messaggio. Prima di poter rispondere al messaggio, occorre attendere che l'interlocutore interrompa la trasmissione. Al termine di ogni trasmissione, l'apparecchio emette un segnale acustico se è stato attivato il tono cicalino audio (consultare il capitolo "13.12 Attivazione/disattivazione del tono/cicalino audio"). Per rispondere, premere il tasto PTT ⑫ e parlare nel microfono.



Se 2 o più utenti premono il PTT tasto ⑫ contemporaneamente, il ricevitore riceverà unicamente il segnale più forte, mentre l'altro o gli altri segnali verranno soppressi. Pertanto bisogna trasmettere un solo segnale (premere il tasto PTT ⑫ quando il canale è libero).



La portata delle onde radio è fortemente influenzata da ostacoli quali edifici, strutture in calcestruzzo/metallo, irregolarità del paesaggio, terreni boscosi, piante... Ciò implica che in casi estremi la portata tra due o più PMR potrebbe essere limitata a un massimo di poche decine di metri. Presto vi renderete conto che il PMR funziona meglio quando tra gli utenti sono presenti pochi ostacoli.

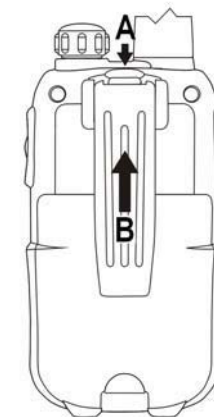
8 Contenuto della confezione

- 2 x Twintalker 9500
- 2 x caricabatterie da tavolo
- 2 x adattatore di alimentazione
- 8 x batterie ricaricabili NiMH AAA
- Manuale d'uso
- Scheda con indirizzo dell'assistenza e Hotline

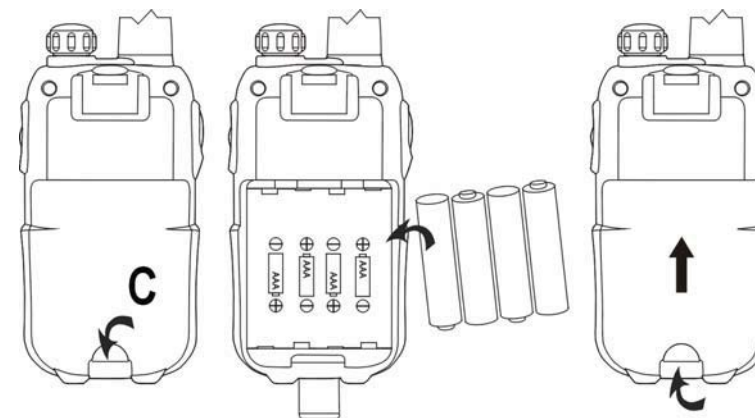
9 Guida introduttiva

9.1 Installazione/Rimozione della clip da cintura

1. Per rimuovere la clip da cintura dall'unità, spingere la clip da cintura (B) verso l'antenna premendo contemporaneamente la linguetta della clip (A).
2. Durante la reinstallazione della clip da cintura, un "clic" indica che la clip da cintura è fissata in posizione.



9.2 Installazione delle batterie



1. Rimuovere la clip da cintura (vedi capitolo "9.1 Installazione/Rimozione della clip da cintura")
2. Sollevare il coperchio del vano batterie spingendo delicatamente la clip del coperchio (C) usando l'unghia.
3. Installare le batterie NiMH. Assicurarsi che la polarità delle batterie NiMH sia corretta.
4. Chiudere il vano batterie.
5. Reinstallare la clip da cintura.

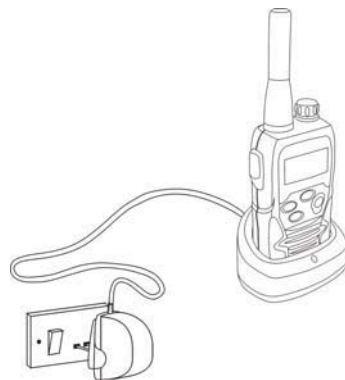
10 Ricarica delle batterie

Ci sono due diversi modi per ricaricare la batteria del PMR:

10.1 Uso del caricatore da tavolo

Il caricatore da tavolo rappresenta un'unità di caricamento esterna.

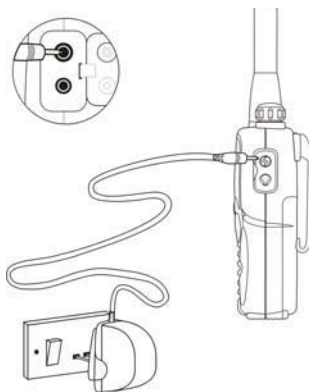
1. Sistemare il caricatore da tavolo su una superficie piana.
2. Collegare un'estremità del cavo dell'adattatore in dotazione in una presa elettrica facilmente accessibile e l'altra estremità nel connettore situato nella parte posteriore del caricabatterie da tavolo (28). (Vedere la pagina di copertina ripiegata - figura 3)
3. Inserire la radio nel caricabatterie come indicato.
4. Se la radio è correttamente inserita e in fase di ricarica, il LED di carica (29) si accenderà. (Vedere la pagina di copertina ripiegata - figura 3)



10.2 Collegamento diretto dell'adattatore di alimentazione al PMR

1. Collegare direttamente il connettore dell'adattatore di alimentazione al collegamento caricatore (3) del PMR.

Per caricare completamente le batterie sono necessarie da 8 a 10 ore circa.



Non premere il tasto PTT (12) del PMR durante la fase di ricarica!



**Non cortocircuitare né smaltire le batterie bruciandole. Se si prevede di non utilizzare il dispositivo per un periodo di tempo prolungato, rimuovere le batterie.
Non tentare di ricaricare batterie non ricaricabili come le batterie alcaline nel caricatore. Ciò potrebbe danneggiare il PMR e il caricatore.**

11 Descrizione

Vedere la pagina di copertina ripiegata - figura 1

1. Tasto ON/OFF Volume
2. Display LCD
3. Collegamento caricatore
4. Collegamento cuffia auricolare
5. LED TX (acceso durante la trasmissione)
6. Tasto chiamata
7. Tasto Menu
 - Accedere alle impostazioni del menu
8. Microfono
9. Altoparlante
10. Tasto Giù
 - Selezionare il valore precedente nel menu
11. Tasto Su
 - Selezionare il valore successivo nel menu
12. Tasto PTT
13. Antenna

Vedere la pagina di copertina ripiegata - figura 3

28. Collegamento caricatore
29. LED caricatore (acceso durante la ricarica)

12 Informazioni sul display LCD

Vedere la pagina di copertina ripiegata - figura 2

14. Indicazione CTCSS
15. Indicazione DCS
16. Valore CTCSS/DCS
17. Indicazione di frequenza in MHz
18. Indicazione MHz
19. Icona blocco tastiera
20. Indicazione ricevimento chiamata
21. Indicazione livello batteria
22. Numero di canale
23. Icona RX
 - Visualizzata durante la ricezione
24. Icona TX
 - Visualizzata durante la trasmissione
25. Indicazione VOX
26. Indicazione di scansione
27. Indicazione modalità a doppio canale (DCM)

13 Uso del Twintalker 9500



Le figure del display riportate nelle pagine successive mostrano soltanto le icone o visualizzano le informazioni delle funzioni spiegate nel testo.

13.1 Accensione/spengimento della radio PMR



- Ruotare il "Tasto on-off/volume" ① in senso orario. Un clic segnalerà l'accensione della radio PMR.
- Ruotare il "Tasto on-off/volume" ① in senso antiorario. Un clic segnalerà lo spegnimento della radio PMR.

13.2 Indicazione livello di carica batteria/batteria scarica

Il livello di carica della batteria è indicato dal numero di quadrati all'interno dell'icona della batteria sul display LCD.



- Batteria carica
- Batteria carica per 2/3
- Batteria carica per 1/3
- Batteria scarica

Quando il livello di carica della batteria è basso, l'icona della batteria lampeggia e viene emesso un segnale acustico ad indicare che è necessario sostituire o ricaricare le batterie.

13.3 Regolazione del volume dell'altoparlante

- Ruotare il "Tasto on-off/volume" ① in senso orario per alzare il volume dell'altoparlante.
- Ruotare in senso antiorario per abbassare il volume.

13.4 Ricezione di un segnale

Quando l'unità è accesa e non è in fase di trasmissione, si trova stabilmente in modalità ricezione.



Affinché i destinatari possano ricevere la trasmissione, è necessario che si trovino sullo stesso canale e sullo stesso codice CTCSS o DCS. (Consultare il capitolo "13.6 Cambio di canale" e "13.7 CTCSS (Continuous Tone Coded Squelch System, sistema squelch codificato a tono continuo) / DCS (Digital Coded Squelch, squelch codificato digitale)").
È possibile usare indistintamente il codice CTCSS o DCS, ma non

13.5 Trasmissione di un segnale



- Tenere premuto il tasto PTT ⑫ per effettuare una trasmissione. Viene visualizzato il simbolo TX.
- Tenere l'unità in posizione verticale con il microfono a una distanza di 10cm dalla bocca, quindi parlare nel microfono.
- Per interrompere la trasmissione, rilasciare il tasto PTT ⑫.



Utilizzare la funzione di monitoraggio per verificare che il canale sia attivo (Consultare il capitolo "13.8 Monitoraggio").

13.6 Cambio di canale



- Premere una volta il tasto ↔ ⑦: il numero del canale corrente lampeggia sul display.
- Premere il tasto ▲ ⑪ o il tasto ▼ ⑩ per cambiare il canale.
- Premere il tasto PTT ⑫ per confermare e tornare in modalità stand-by.



Se durante l'impostazione non si preme alcun tasto entro 5 secondi, l'unità torna in stand-by.

13.7 CTCSS (Continuous Tone Coded Squelch System, sistema squelch codificato a tono continuo) / DCS (Digital Coded Squelch, squelch codificato digitale)

Le radio PMR senza licenza che operano sulla banda di frequenza da 446 MHz, come il Twintalker 9500 PMR, dispongono di 8 canali radio. Se molti dei vostri vicini utilizzano apparecchi PMR, è possibile che altri utenti si servano dello stesso canale radio.

Per evitare di ricevere segnali da altri utenti, sono stati aggiunti dei subcanali.

Due radio PMR sono in grado di comunicare tra loro solo quando operano sullo stesso canale radio e quando selezionano lo stesso subcanale.

Sono disponibili due tipi di subcanali:

- Continuous Tone Coded Squelch System (CTCSS, sistema squelch codificato a tono continuo)
- Digital Coded Squelch (DCS, squelch codificato digitale)

Quando si utilizza il CTCSS, insieme al segnale vocale viene trasmesso un tono di frequenza basso (tra 67 e 250 Hz). È possibile scegliere tra 38 toni diversi. Siete liberi di scegliere uno tra i 38 toni disponibili. A causa del filtraggio, questi toni in genere non sono udibili, quindi non disturberanno la comunicazione.

Il DCS è simile al CTCSS, ma invece di inviare un tono continuo della frequenza selezionata, al segnale radio si aggiunge la trasmissione digitale dei dati. Questo Codice Digitale viene trasmesso a una frequenza molto bassa, di circa 134 bit al secondo (il codice è composto da 23 bit). Solo i PMR di ultima generazione supportano il DCS. È possibile utilizzare 83 codici DCS

disponibili. Dato che i modelli precedenti supportano solo il CTCSS, si consiglia di utilizzare il DCS per evitare di udire altri utenti durante le vostre conversazioni con il PMR.

13.7.1 CTCSS



- Premere due volte il tasto \rightarrow (7) : "CTCSS" e il codice CTCSS corrente lampeggiano sul display.
- Premere il tasto \blacktriangle (11) o il tasto \blacktriangledown (10) per passare a un altro codice.
- Premere il tasto PTT (12) per confermare e tornare in modalità stand-by.

13.7.2 DCS



- Premere tre volte il tasto \rightarrow (7) : "DCS" e il codice DCS corrente lampeggiano sul display.
- Premere il tasto \blacktriangle (11) o il tasto \blacktriangledown (10) per passare a un altro codice.
- Premere il tasto PTT (12) per confermare e tornare in modalità stand-by.



Per disattivare il CTCSS o il DCS, selezionare nel menu il codice "00" per il CTCSS o per il DCS. Quando la voce viene confermata, viene visualizzato "OF".

13.8 Monitoraggio

È possibile utilizzare la funzione di monitoraggio per la ricerca dei segnali più deboli nel canale corrente.

- Premere il tasto \rightarrow (7) e il tasto \blacktriangledown (10) contemporaneamente per attivare il monitoraggio del canale.
- Premere il tasto \rightarrow (7) per interrompere il monitoraggio del canale.



Durante il monitoraggio del canale, il circuito del ricevitore nel PMR non sentirà i codici CTCSS o DCS.

13.9 Selezione VOX

Il ricetrasmittitore PMR è dotato della funzione di trasmissione ad attivazione vocale (VOX). In modalità VOX, l'apparecchio trasmette un segnale quando viene attivato dalla voce dell'utente o da un rumore qualsiasi nell'ambiente. La funzione VOX non è consigliata se si ha intenzione di usare il ricetrasmittitore in un ambiente rumoroso o esposto al vento.



La modalità VOX viene ignorata quando si preme il tasto PTT (12) .



- Premere quattro volte il tasto \rightarrow (7) : l'impostazione VOX corrente lampeggia sul display e viene visualizzata l'icona VOX.
- Premere il tasto \blacktriangle (11) per impostare il livello di sensibilità VOX tra 1 e 3 (il livello 3 è quello più sensibile).
- Premere il tasto \blacktriangledown (10) fino a quando sul display non appare 'OFF', per disattivare la funzione VOX.
- Premere il tasto PTT (12) per confermare e tornare in modalità stand-by.

13.10 Scansione canali

La funzione scansione canali effettua ricerche di segnali attivi in una sequenza continua dal canale 1 al canale 8.

Una volta identificato il canale attivo, è possibile effettuare la ricerca del codice CTCSS o del codice DCS impostato dall'utente che trasmette sul canale.

13.10.1 Scansione di un canale radio attivo



- Premere cinque volte il tasto \rightarrow (7) : "SCAN" e il canale corrente lampeggiano sul display.
- Premere il tasto \blacktriangle (11) o il tasto \blacktriangledown (10) per iniziare la scansione dei canali.

Una volta identificato il canale attivo, la scansione si interrompe ed è possibile ascoltare la trasmissione.

Quando si interrompe la trasmissione sul canale trovato, la scansione riprenderà automaticamente.



Premendo il tasto PTT (12) durante l'ascolto di un canale trovato, il PMR si rimetterà in modalità stand-by sul canale trovato.

13.10.2 Scansione di un codice CTCSS

Quando viene identificato un canale attivo, premere il tasto PTT (12) per selezionarlo. È ora possibile cercare il codice CTCSS/DCS utilizzato dall'utente trovato.



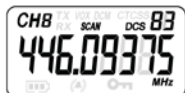
- Premere sei volte il tasto \rightarrow (7) : "SCAN" e "CTCSS 00" del canale radio selezionato lampeggiano sul display.
- Premere il tasto \blacktriangle (11) o il tasto \blacktriangledown (10) per iniziare la scansione CTCSS.

Quando sul canale è presente una trasmissione, il codice CTCSS (se utilizzato) viene rilevato e visualizzato.



- Premendo il tasto PTT PTT (12) durante l'ascolto di un codice CTCSS trovato, il PMR ritornerà sul canale con il codice CTCSS in modalità stand-by.
- Se non viene rilevato nessun codice CTCSS, è possibile che l'utente abbia selezionato il codice DCS. In tal caso è possibile effettuare la scansione del codice DCS. (sezione 13.10.3)

13.10.3 Scansione di un codice DCS



- Premere sette volte il tasto \rightarrow (7) : "SCAN" e "DCS 00" del canale radio selezionato lampeggiano sul display.
- Premere il tasto \blacktriangle (11) o il tasto \blacktriangledown (10) per iniziare la scansione DCS.

Quando sul canale è in corso una trasmissione, il codice DCS (se utilizzato) viene rilevato e visualizzato.



Premendo il tasto PTT (12) durante l'ascolto di un codice DCS trovato, il PMR ritornerà sul canale con il codice DCS in modalità stand-by.

13.11 Segnali di chiamata

Un segnale di chiamata avvisa gli altri interlocutori che si desidera iniziare a parlare.

13.11.1 Impostazione del segnale di chiamata

Il Twintalker 9500 dispone di 15 segnali di chiamata.



- Premere otto volte il tasto \rightarrow (7) : "C" viene visualizzato e il segnale di chiamata corrente lampeggia.
- Per passare a un altro segnale di chiamata, premere il tasto \blacktriangle (11) o il tasto \blacktriangledown (10).
- Premere il tasto PTT (12) per confermare e tornare in modalità stand-by.

13.11.2 Invio di un segnale di chiamata

Premere brevemente il tasto $\bullet\bullet\bullet$ (6) . Il segnale di chiamata sarà trasmesso sul canale impostato.

13.11.3 Segnale di chiamata in ricezione

- Premere nove volte il tasto \rightarrow (7) .
- Premere il tasto \blacktriangle (11) o il tasto \blacktriangledown (10) per selezionare il segnale di chiamata in ricezione.
 1. Solo tono \blacktriangle
 2. Tono + vibrazione $\bullet\bullet\bullet$
 3. Solo vibrazione $()$

Premere il tasto PTT (12) per confermare e tornare in modalità stand-by.

13.12 Attivazione/disattivazione del tono/cicalino audio

Ogni volta che si rilascia il tasto PTT (12) , l'unità trasmette un tono/cicalino audio per confermare che si è finito di parlare.



Per impostare il tono/cicalino audio:

- Premere dieci volte il tasto \rightarrow (7) . "r0" viene visualizzato.
- Premere il tasto \blacktriangle (11) per attivare (ON) o il tasto \blacktriangledown (10) per disattivare il tono/cicalino audio (OFF).
- Premere il tasto PTT (12) per confermare la selezione e tornare alla modalità stand-by.

13.13 Attivazione/disattivazione dei toni dei tasti

Quando viene premuto un tasto, l'unità emette un breve segnale acustico.



Per impostare il tono dei tasti:

- Premere undici volte il tasto \rightarrow (7) . "t0" viene visualizzato.
- Premere il tasto \blacktriangle (11) per attivare (ON) o il tasto \blacktriangledown (10) per disattivare i toni dei tasti (OFF).
- Premere il tasto PTT (12) per confermare la selezione e tornare alla modalità stand-by.

13.14 Funzione di monitoraggio a doppio canale

In modalità stand-by, il PMR è sintonizzato su un canale impostato con il codice CTCSS/DCS. Il PMR riceverà soltanto i segnali trasmessi su quel canale e con quel codice CTCSS/DCS.

La funzione di monitoraggio a doppio canale (DCM) consente di monitorare un secondo canale con il codice CTCSS/DCS.

- Premere dodici volte il tasto \rightarrow (7) , " DCM OFF" lampeggerà sul display.
- Premere il tasto \blacktriangle (11) o il tasto \blacktriangledown (10) per cambiare il canale.
- Premere il tasto \rightarrow (7) per confermare il canale scelto e passare alla selezione del CTCSS. (Premere nuovamente il tasto \rightarrow (7) per passare alla selezione del DCS)
- Premere il tasto \blacktriangle (11) o il tasto \blacktriangledown (10) per cambiare il codice CTCSS o DCS.
- Premere il tasto PTT (12) per confermare e tornare in modalità stand-by.
- Per disattivare la funzione selezionare "OFF" durante la selezione del canale DCM.



Quando la funzione di monitoraggio a doppio canale è attivata, il PMR passa in sequenza dal canale di stand-by + codice CTCSS/DCS al doppio canale + codice CTCSS/DCS.

13.15 Blocco tasti



- Tenere premuto per tre secondi il tasto ⑦ per attivare la modalità di blocco tasti. Sul display LCD viene visualizzata l'icona di blocco tasti.
- Tenere premuto nuovamente per tre secondi il tasto ⑦ per disattivare il blocco tasti.



Con il blocco tasti attivato, il tasto PTT ⑫, il tasto ⑥ e il tasto ① rimangono comunque attivi.

13.16 Retroilluminazione del display

Per attivare la retroilluminazione del display LCD, premere qualsiasi tasto tranne il PTT tasto ⑫ o il tasto ⑥.

La retroilluminazione del display LCD si accende per 6 secondi.

14 Collegamento dell'auricolare

Il connettore è situato sul lato superiore dell'unità ②.

Inserire la spina dell'auricolare nel connettore (jack da 2,5 mm).

Il piccolo tasto sull'auricolare ha la stessa funzione del tasto PTT ⑫ sull'unità.

Quando si utilizza il tasto PTT ⑫ dall'auricolare, è anche necessario usare il microfono dell'auricolare stesso..



Non collegare altri auricolari. Potrebbero danneggiare l'apparecchio.

15 Risoluzione dei problemi

Assenza di alimentazione	Pulire i contatti della batteria con un panno morbido. Sostituire le batterie.
Assenza di trasmissione	Prima di parlare, verificare che il tasto PTT ⑫ sia completamente premuto. Monitorare l'attività del canale e passare ad un altro canale se quello corrente è in uso.
Assenza di ricezione	Controllare il volume dell'altoparlante. Verificare di trovarsi entro il raggio di ricezione di chi trasmette ed eventualmente spostarsi.
Copertura limitata e rumori durante la trasmissione	La portata di trasmissione dipende dal terreno. Le costruzioni in acciaio, gli edifici in calcestruzzo o l'uso all'interno di veicoli possono compromettere la portata. Evitare più ostacoli possibili e comunicare in presenza di una chiara linea di visibilità. Cambiare posizione.
Interferenza	Il ricevitore e il trasmettitore sono troppo vicini. La distanza minima tra 2 unità è 1,5 m.

16 Specifiche tecniche

Canali	8
Subcodice	CTCSS 38 / DCS 83
Frequenza	446,00625MHz - 446,09375 MHz
Copertura	Fino a 10 Km (in campo aperto)
Batteria	Li-ion 3,7V ricaricabile
Potenza di trasmissione	=< 500mW ERP
Tipo di modulazione	FM - F3E
Spaziatura canali	12,5 kHz
Adattatore per caricatore Duo Charger	Entrata: 230 V CA / 50Hz - Uscita: 7,5 V CC/750mA

Channel Frequency Chart:		CTCSS Code Chart							
Channel	Frequency (MHz)	Code	Frequency (Hz)	Code	Freq. (Hz)	Code	Freq. (Hz)	Code	Freq. (Hz)
1	446,00625	0	Disabled	10	94,8	20	131,8	30	186,2
2	446,01875	1	67,0	11	97,4	21	136,5	31	192,8
3	446,03125	2	71,9	12	100,0	22	141,3	32	203,5
4	446,04375	3	74,4	13	103,5	23	146,2	33	210,7
5	446,05625	4	77,0	14	107,2	24	151,4	34	218,1
6	446,06875	5	79,7	15	110,9	25	156,7	35	225,7
7	446,08125	6	82,5	16	114,8	26	162,2	36	233,6
8	446,09375	7	85,4	17	118,8	27	167,9	37	241,8
		8	88,5	18	123,0	28	173,8	38	250,3
		9	91,5	19	127,3	29	179,9		

DCS Code Chart							
No	DCS code	No	DCS code	No	DCS code	No	DCS code
0	Disabled	21	134	42	311	63	516
1	23	22	143	43	315	64	532
2	25	23	152	44	331	65	546
3	26	24	155	45	343	66	565
4	31	25	156	46	346	67	606
5	32	26	162	47	351	68	612
6	43	27	165	48	364	69	624
7	47	28	172	49	365	70	627
8	51	29	174	50	371	71	631
9	54	30	205	51	411	72	632
10	65	31	223	52	412	73	654
11	71	32	226	53	413	74	662
12	72	33	243	54	423	75	664
13	73	34	244	55	431	76	703
14	74	35	245	56	432	77	712
15	114	36	251	57	445	78	723
16	115	37	261	58	464	79	731
17	116	38	263	59	465	80	732
18	125	39	265	60	466	81	734
19	131	40	271	61	503	82	743
20	132	41	306	62	506	83	754

17 Garanzia Topcom

17.1 Periodo di garanzia

Le unità Topcom sono coperte da una garanzia di 24 mesi. Il periodo di garanzia decorre dal giorno d'acquisto della nuova unità. Non esiste alcuna garanzia su batterie standard o ricaricabili (tipo AA/AAA). Le parti soggette a usura o i difetti che causano effetti trascurabili sul funzionamento o sul valore dell'apparecchio non sono coperti da garanzia.

La garanzia potrà ritenersi valida solo dietro presentazione della ricevuta originale di acquisto o di una copia di essa, a condizione che vi siano indicati la data di acquisto e il tipo di unità.

17.2 Utilizzo della garanzia

Un apparecchio difettoso dovrà essere restituito a un centro di assistenza autorizzato insieme a un valido documento di acquisto e alla scheda di assistenza debitamente compilata.

Durante il periodo di validità della garanzia, Topcom o un centro di assistenza ufficiale autorizzato provvederà alla riparazione gratuita di ogni difetto imputabile ai materiali o a errori di produzione, riparando o sostituendo le unità difettose o i pezzi difettosi delle unità. In caso di sostituzione, il colore e il modello potrebbero differire dall'unità originariamente acquistata.

La data d'acquisto iniziale determina l'inizio del periodo di garanzia. Il periodo di garanzia non sarà esteso se l'unità viene sostituita o riparata da Topcom o dai suoi centri di assistenza autorizzati.

17.3 Decadenza della garanzia

Si intendono esclusi dalla garanzia tutti i danni o i guasti dovuti a una cattiva manutenzione o a un errato utilizzo dell'apparecchio, nonché i danni dovuti all'uso di ricambi o di accessori non originali. La presente garanzia non copre i danni causati da fattori esterni come fulmini, acqua e incendi, né i danni dovuti al trasporto. La garanzia non è applicabile in caso di modifica, eliminazione o illeggibilità del numero di serie delle unità. Qualsiasi rivendicazione in garanzia sarà considerata priva di fondamento in caso di intervento da parte dell'acquirente.

1 Introdução

Agradecemos a sua aquisição do Twintalker 7100 Sports Pack. Este é um dispositivo de comunicação rádio de longo alcance e baixo consumo, que permite a comunicação com um alcance máximo de 10 Km. O seu único custo é limitado ao recarregamento das pilhas. O TwinTalker funciona em 8 canais.

2 Utilização prevista

Pode ser utilizado para fins recreativos. Por exemplo: para manter em contacto 2 ou mais carros, ciclistas ou esquiadores durante uma viagem ou percurso. Pode ser utilizado para se manter em contacto com as crianças enquanto elas brincam no exterior, etc...

3 Marca CE

O símbolo CE na unidade, guia do utilizador e caixa de oferta indica que a unidade se encontra em conformidade com os requisitos essenciais da directiva R&TTE 1995/5/CE.

4 Instruções de segurança

4.1 Geral

Leia atentamente as seguintes informações acerca da segurança e da utilização correcta da unidade. Familiarize-se com todas as funções do dispositivo. Conserve este manual em lugar seguro para utilização futura.

4.2 Queimaduras

- Se a cobertura da antena estiver danificada, não lhe toque, pois se a antena entrar em contacto com a pele durante a transmissão, pode resultar numa queimadura ligeira.
- As pilhas podem provocar danos materiais, como queimaduras, caso algum material condutor, como jóias, chaves ou correntes, tocar nos pólos expostos. O material pode fechar um circuito eléctrico (curto circuito) e ficar bastante quente. Tome cuidado ao manusear uma pilha carregada, em particular ao colocá-la num bolso, bolsa ou outro contentor que possa conter objectos metálicos.

4.3 Lesões

- Não coloque o dispositivo na zona por cima de um air bag nem na área de acção do air bag. Os air bags são insuflados com muita força. Se um PMR for colocado na área de acção do air bag e este for activado, o comunicador pode ser projectado com muita força e causar lesões graves nos ocupantes do veículo.
- Mantenha o PMR a pelo menos 15 centímetros de um pacemaker.
- Desligue o PMR (OFF) imediatamente se este causar interferência em qualquer equipamento médico.

4.4 Perigo de explosão

- Não substitua as pilhas na presença de qualquer atmosfera potencialmente explosiva. Pode libertar-se uma faísca do pólo ao colocar ou ao retirar pilhas e provocar uma explosão.
- Desligue o PMR quando se encontrar em áreas com uma atmosfera potencialmente explosiva. Faíscas nestas áreas podem provocar uma explosão ou um incêndio, resultando em lesões físicas ou mesmo morte.
- Nunca coloque pilhas no fogo, pois podem explodir.



Áreas com atmosferas potencialmente explosivas estão frequentemente marcadas de forma clara, mas nem sempre. Estas incluem áreas de armazenamento de combustível como o porão de embarcações, instalações de armazenamento ou transferência de combustível ou de produtos químicos; áreas onde o ar contém substâncias químicas ou partículas, como poeiras de cereais, pó ou metais; e quaisquer outras áreas em que normalmente seria recomendável desligar o motor do seu veículo.

4.5 Perigo de envenenamento

- Mantenha as pilhas afastadas de crianças pequenas

4.6 Restrições legais

- Nalguns países é proibido utilizar o PMR durante a condução de veículos. Neste caso, é aconselhável sair da estrada antes de utilizar o dispositivo.
- Desligue o PMR (OFF) a bordo de aviões quando for instruído a fazê-lo. Qualquer utilização da unidade deve estar em conformidade com os regulamentos da linha aérea e as instruções da tripulação.
- Desligue o PMR (OFF) em quaisquer instalações onde existam avisos de que deve fazê-lo. Os hospitais e unidades de saúde poderão conter equipamento sensível a energia RF externa.
- A substituição ou a modificação da antena poderá afectar as especificações de rádio PMR e violar os regulamentos CE. Antenas não autorizadas poderão igualmente danificar o rádio.

4.7 Notas

- Não tocar na antena enquanto o dispositivo estiver em transmissão, pois poderá afectar o alcance.
- Remova as pilhas se não pretender utilizar o dispositivo durante um longo período de tempo.

5 Limpeza e manutenção

- Para limpar a unidade, passe com um pano macio humedecido com água. Não utilize agentes de limpeza ou solventes na unidade pois podem danificar a caixa e penetrar no interior do dispositivo, causando danos permanentes.
- Os contactos das pilhas podem ser limpos com um pano seco que não liberte partículas.
- Caso a unidade se molhe, desligue-a e retire imediatamente as pilhas. Seque o compartimento das pilhas com um pano macio de modo a minimizar os danos potenciais causados pela água. Deixe o compartimento das pilhas aberto durante a noite ou até estar completamente seco. Não utilizar a unidade até estar completamente seca.

6 Eliminação do dispositivo (ambiente)



Quando o ciclo de vida do produto chega ao fim, não deve eliminar este produto juntamente com os resíduos domésticos. Deve levá-lo a um ponto de recolha de equipamentos eléctricos e electrónicos. O símbolo presente no produto, no manual do utilizador e na caixa dá esta indicação.

Alguns dos materiais do produto podem ser reutilizados se os colocar num ponto de reciclagem. Ao reutilizar algumas das partes ou das matérias-primas dos produtos utilizados, dá uma contribuição importante para a protecção do meio ambiente. Contacte as autoridades locais se necessitar de mais informações sobre os pontos de recolha existentes na sua área.

7 Utilizar um dispositivo PMR

Para que seja possível estabelecer comunicação entre dispositivos PMR, estes têm de estar definidos para o mesmo canal e código CTCSSDCS (ver capítulo "13.7 CTCSS (Continuous Tone Coded Squelch System - sistema silenciador controlado por tonalidades) DCS (Digital Coded Squelch - sistema celular digital)") e encontrar-se dentro do alcance de recepção (até a um máx. de 10 km em campo aberto). Dado que estes dispositivos utilizam bandas de frequência livre (canais), todos os dispositivos ligados partilham estes canais (total de 8 canais). Assim, a privacidade não é garantida. Qualquer pessoa que disponha de um conjunto PMR definido para o mesmo canal poderá ouvir a conversa. Se pretende comunicar (transmitir um sinal de voz) prima o botão PTT (12).

Uma vez premido este botão, o dispositivo entra em modo de transmissão e pode falar para o microfone. Todos os outros dispositivos PMR na área de alcance, definidos para o mesmo sinal e em modo de espera (que não estejam em modo de transmissão), ouvirão a sua mensagem. É necessário esperar até que um outro dispositivo acabe a transmissão para poder responder à mensagem. No final de cada transmissão, a unidade enviará um sinal sonoro "bip" se a função Roger Beep estiver activada (ver capítulo "13.12 Ligar/Desligar sinal de fim de comunicação (Roger)"). Para responder, simplesmente prima o botão-PTT (12) e fale ao microfone.



Caso 2 ou mais utilizadores primam o botão-PTT (12) ao mesmo tempo, o receptor receberá apenas o sinal mais forte e o(s) outro(s) serão suprimidos. Assim, apenas deve transmitir um sinal (premir o botão- PTT (12) quando o canal estiver livre.



O alcance das ondas de rádio é fortemente afectado por obstáculos, tais como edifícios, estruturas de metal/betão, os acidentes da paisagem, bosques, plantas, ... Isto quer dizer que, nalguns casos, o alcance entre dois ou mais PMR pode ser reduzido a um máximo de algumas dezenas de metros. Rapidamente verificará que os PMR funcionam melhor quando existe um número mínimo de obstáculos entre os utilizadores.

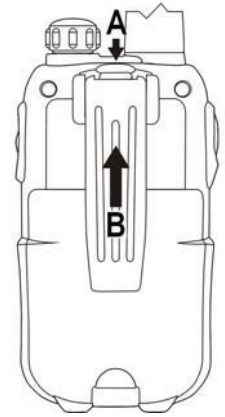
8 Esta embalagem inclui

- 2 x Twintalker 9500
- 2 x Carregador de mesa
- 2 x Transformador
- 8 x pilhas AAA de NiMh
- Manual do utilizador
- Cartão com endereço de apoio ao cliente e linha de assistência

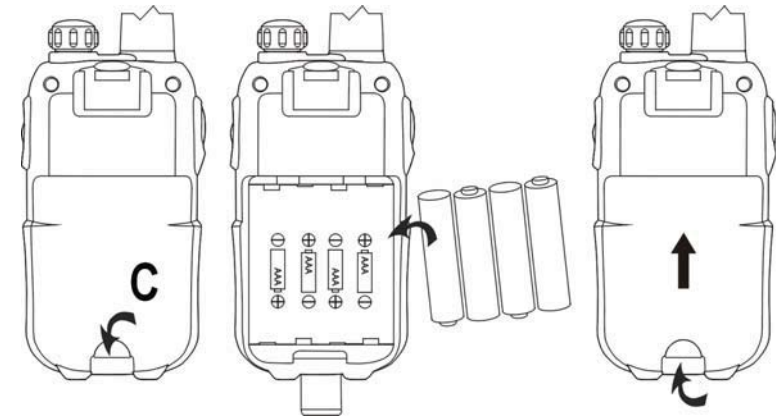
9 Introdução

9.1 Colocar/retirar o clipe de cinto

1. Para retirar o clipe de cinto da unidade, empurre o clipe de cinto (B) na direcção da antena ao mesmo tempo que puxa pela patilha (A).
2. Ao recolocar o clipe de cinto, um clique indica que o clipe está preso em posição



9.2 Instalação das Pilhas



1. Retire o clipe de cinto (ver capítulo "9.1 Colocar/retirar o clipe de cinto").
2. Levante a tampa do compartimento das pilhas empurrando suavemente o fecho (C) com a unha.
3. Coloque as pilhas de NiMh. Assegure-se de que a polaridade das pilhas de NiMh está correcta.
4. Feche o compartimento das pilhas.
5. Reponha o clipe de cinto

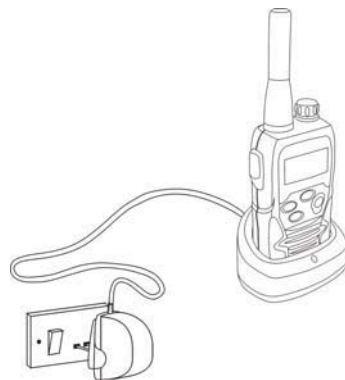
10 Carregar as pilhas

Há duas formas de carregar as pilhas dos PMR:

10.1 Utilizar o carregador de secretária

O carregador de secretária oferece a possibilidade de carregamento no local

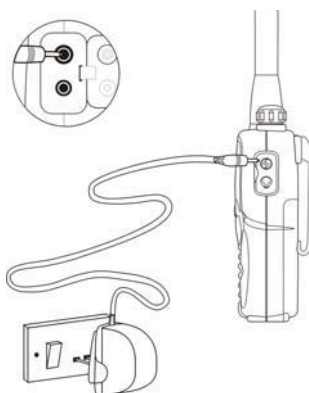
1. Coloque o carregador de mesa sobre uma superfície plana.
2. Ligue uma extremidade do transformador fornecido a uma tomada eléctrica facilmente acessível e a outra extremidade ao conector na parte de trás do carregador de secretária (28). (Ver na página de rosto dobrada - ilustração 3)
3. Coloque o rádio no carregador da forma indicada.
4. O LED indicador de carregamento (29) acende-se quando o dispositivo está inserido da forma adequada e em carregamento. (Ver na página de rosto dobrada - ilustração 3)



10.2 Ligar o transformador de corrente directamente ao PMR

1. Ligue o conector do transformador de corrente directamente à entrada de carregamento (3) do PMR.

Levará cerca de 8 a 10 horas até que as pilhas estejam totalmente carregadas.



Não prima o botão-PTT (12) dos PMR enquanto estes se encontram em carregamento !



**Não provoque curto-circuitos nem elimine as pilhas queimando. Retire as pilhas se não pretender utilizar o dispositivo durante um longo período de tempo.
Não carregue pilhas não recarregáveis, tais como pilhas alcalinas, no carregador. Isto poderá causar danos nos PMR e no carregador.**

11 Descrição

Ver folha de rosto dobrada - ilustração 1

1. Botão Ligar/Desligar e Volume
2. Visor LCD
3. Ligação ao carregador
4. Ligação do dispositivo auricular
5. LED TX (acende-se durante a transmissão)
6. Botão de chamada
7. Botão de Menu
 - Entra no menu de configuração
8. Microfone
9. Altifalante
10. Botão para baixo
 - Selecciona o valor anterior no menu
11. Botão para cima
 - Selecciona o valor seguinte no menu
12. Botão PTT
13. Antena

Ver folha de rosto dobrada - ilustração 3

28. Ligação ao carregador
29. LED do carregador (acende-se durante o carregamento)

12 Informação apresentada no visor LCD

Ver folha de rosto dobrada - ilustração 2

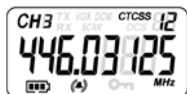
14. Indicação CTCSS
15. Indicação DCS
16. Valor CTCSS/DCS
17. Indicação da frequência em MHz
18. Indicação de MHz
19. Ícone de Bloqueio do teclado
20. Indicação de tipo de chamada recebida
21. Indicador de carga da pilha
22. Número do canal
23. Ícone RX
 - Apresentado durante a recepção
24. Ícone TX
 - Apresentado durante a transmissão
25. Indicação VOX
26. Indicação de procura
27. Indicação de modo bicanal (Dual Channel Mode - DCM)

13 Utilizar o Twintalker 9500



As ilustrações do visor nas páginas que se seguem apenas mostram os ícones ou as informações no visor das funções que são explicadas no texto.

13.1 Ligar/desligar o rádio PMR



- Rode o botão "Ligar-Desligar/Volume" ① para a direita. Ouve-se um clique que indica que o rádio PMR está ligado.
- Rode o botão "Ligar-Desligar/Volume" ① totalmente para a esquerda. Ouve-se um clique que indica que o rádio PMR está desligado.

13.2 Nível de Carga das Pilhas/Indicador de Pilhas Fracas

O nível de carga das pilhas é indicado pelo número de quadrados presentes no interior do ícone de pilhas no visor LCD.



- Pilhas carregadas
- Pilhas a 2/3
- Pilhas a 1/3
- Pilhas descarregadas

Quando o nível de carga das pilhas é fraco, o ícone de nível de carregamento das pilhas começará a piscar e ouve-se um sinal sonoro de modo a indicar que é necessário substituir ou recarregar as pilhas.

13.3 Ajustar o volume do altifalante

- Rode o botão "Ligar-Desligar/Volume" ① para a direita, para aumentar o volume do altifalante.
- Rode o botão para a esquerda para reduzir o volume.

13.4 Receber um Sinal

A unidade encontra-se continuamente em modo de recepção enquanto está ligada e não está a transmitir.



Para que os outros recebam a sua transmissão, têm de estar no mesmo canal e ter definido o mesmo código CTCSS ou código DCS. (Consulte o capítulo "13.6 Mudar de Canal" e "13.7 CTCSS (Continuous Tone Coded Squelch System - sistema silenciador controlado por tonalidades) DCS (Digital Coded Squelch - sistema celular digital)")
Pode usar CTCSS ou DCS, mas nunca os dois ao mesmo tempo.

13.5 Transmitir um sinal

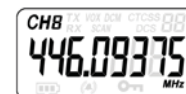


- Prima e mantenha premido o botão - PTT ⑫ para transmitir. É mostrado o símbolo TX.
- Mantenha a unidade numa posição vertical, com o microfone a 10cm da boca, e fale directamente para o microfone.
- Solte o botão - PTT ⑫ para parar de transmitir.



Para verificar a actividade do canal, utilize a função de monitorização. (Ver o capítulo "13.8 Monitorização").

13.6 Mudar de Canal



- Prima uma vez o botão - ➔ ⑦; o número do canal actual aparece intermitente no visor.
- Prima o botão ▲ ⑪ ou o botão ▼ ⑩ para mudar o canal.
- Prima o botão - PTT ⑫ para confirmar e regressar ao modo de espera.



Se nenhum botão for premido no espaço de 5 segundos durante a configuração, a unidade regressa ao modo de espera.

13.7 CTCSS (Continuous Tone Coded Squelch System - sistema silenciador controlado por tonalidades) DCS (Digital Coded Squelch - sistema celular digital)

Os rádios PMR sem licença que operam na banda de frequências de 446 MHz, como o PMR Twintalker 9500, dispõem de 8 canais de rádio disponíveis. Caso existam muitos utilizadores de PMR na sua região, existe a possibilidade de alguns destes utilizadores operarem no mesmo canal de rádio.

Para evitar receber sinais de outros utilizadores, foram integrados subcanais.

Dois rádios PMR apenas poderão comunicar entre si quando operam no mesmo canal de rádio e quando tiverem seleccionado exactamente o mesmo subcanal.

Existem dois tipos de subcanais:

- CTCSS (Continuous Tone Coded Squelch System - sistema silenciador controlado por tonalidades)
- DCS (Digital Coded Squelch - sistema celular digital)

Ao utilizar o CTCSS, é transmitido um tom de baixa frequência (entre 67 e 250 Hz) em conjunto com o sinal de voz. Pode seleccionar entre 38 tons disponíveis. Escolha livremente entre um dos 38 tons disponíveis. Devido à filtração, estes tons em geral não são audíveis, de modo a não prejudicarem a comunicação.

O DCS é semelhante ao CTCSS, mas em vez de ser enviado um tom contínuo de uma frequência seleccionada, é adicionada uma transmissão de sinais digitais ao sinal de rádio. Este Código Digital é transmitido a uma frequência muito baixa, à volta de 134 bits por segundo (o código tem um tamanho de 23 bits). Apenas os PMR de última geração suportam DCS. Existem

83 códigos DCS disponíveis que podem ser utilizados. Dado que os modelos mais antigos apenas suportam CTCSS, o melhor é utilizar DCS para evitar que outros utilizadores sejam audíveis durante as suas conversas com o PMR.

13.7.1 CTCSS



- Prima duas vezes o botão- ➔ ⑦ : "CTCSS" e o código CTCSS actual piscam no visor.
- Prima o botão - ▲ ⑪ ou o botão- ▼ ⑩ para mudar para outro código.
- Prima o botão - PTT ⑫ para confirmar e regressar ao modo de espera.

13.7.2 DCS



- Prima o botão- ➔ ⑦ três vezes : "DCS" e o código DCS actual piscam no visor.
- Prima o botão - ▲ ⑪ ou o botão - ▼ ⑩ para mudar para outro código.
- Prima o botão - PTT ⑫ para confirmar e regressar ao modo de espera.



Para desactivar CTCSS ou DCS, seleccione o código "00" para CTCSS ou para DCS no menu. Quando a sua selecção for confirmada, "OF" será apresentado.

13.8 Monitorização

Pode utilizar a função de monitorização para procurar sinais mais fracos no canal activo.

- Prima os botões ➔ ⑦ e ▼ ⑩ simultaneamente para activar a monitorização de canais.
- Prima o botão ➔ ⑦ para parar a monitorização de canais.



Durante a monitorização de canais, o circuito de recepção do PMR não escuta os códigos CTCSS ou DCS.

13.9 Selecção de VOX

A transmissão do PMR pode ser activada por voz (VOX). No modo VOX, o rádio transmitirá um sinal sempre que seja activado pela sua voz ou por qualquer som. A operação em modo VOX não é recomendada se o rádio for utilizado em locais ruidosos ou ventosos.



O modo VOX será desactivado quando premir o botão- PTT ⑫ .



- Prima quatro vezes o botão ➔ ⑦ , a configuração corrente de VOX fica intermitente no visor e o ícone VOX é apresentado.
- Prima o botão - ▲ ⑪ para seleccionar o nível de sensibilidade VOX de 1 a 3 (o nível 3 é o mais sensível).
- Prima o botão ▼ ⑩ até que 'OFF' (desligado) seja apresentado no visor, para desligar o modo VOX.
- Prima o botão - PTT ⑫ para confirmar e regressar ao modo de espera.

13.10 Procura de canais (SCAN)

A procura de canais procura sinais activos em contínuo, do canal 1 ao 8.

Quando um canal activo é encontrado, tem a opção de procurar o código CTCSS ou o código DCS definido pelo utilizador que está a emitir nesse canal.

13.10.1 Procura de um canal de rádio activo



- Prima o botão ➔ ⑦ cinco vezes : "SCAN" (procura) e o código actual piscam no visor.
- Prima o botão ▲ ⑪ ou o botão ▼ ⑩ para iniciar a procura de canais.

Quando um canal activo é encontrado, a procura pára e pode ouvir a transmissão. Quando a transmissão do canal encontrado pára, a procura de canais é retomada automaticamente.



Se premir o botão PTT ⑫ enquanto ouve um canal encontrado, o PMR regressa ao modo de espera no canal encontrado.

13.10.2 Procura de um código CTCSS

Quando um canal activo é encontrado, prima o botão PTT ⑫ para seleccionar o canal activo encontrado. Tem agora a opção de procurar o código CTCSS/DCS utilizado pelo utilizador encontrado.



- Prima o botão- ➔ ⑦ seis vezes : "SCAN" e "CTCSS 00" piscam no visor para o canal de rádio seleccionado.
- Prima o botão- ▲ ⑪ ou o botão- ▼ ⑩ para iniciar a procura de canais CTCSS.

Quando existir uma transmissão no canal, o código CTCSS (se utilizado) será detectado e apresentado.



- Se premir o botão PTT (12) enquanto ouve um canal encontrado, o PMR regressa ao modo de espera no canal com o código CTCSS.
- Caso não seja detectado nenhum código CTCSS, há a possibilidade de estar a ser utilizado um código DCS seleccionado pelo utilizador. Neste caso, procure o código DCS. (secção 13.10.3)

13.10.3 Procura de um código DCS



- Prima o botão ↵ (7) sete vezes : "SCAN" e "DCS 00" piscam no visor para o canal de rádio seleccionado.
- Prima o botão ▲ (11) ou o botão ▼ (10) para iniciar a procura do DCS.

Quando existir uma transmissão no canal, o código DCS (se utilizado) será detectado e apresentado.



Se premir o botão PTT (12) enquanto ouve o código DCS encontrado, o PMR regressa ao modo de espera no canal com o código DCS.

13.11 Tons de chamada

Um tom de chamada alerta os outros utilizadores de que pretende começar a falar.

13.11.1 Definir o sinal de chamada

O Twintalker 9500 tem disponíveis 15 tons de chamada.



- Prima oito vezes o botão ↵ (7) , "C" é apresentado e o tom de chamada actual fica intermitente.
- Prima o botão ▲ (11) ou o botão ▼ (10) para mudar para outro Tom de chamada.
- Prima o botão - PTT (12) para confirmar e regressar ao modo de espera.

13.11.2 Enviar um sinal de chamada

Prima brevemente o botão •)) (6) . O tom de chamada é transmitido no canal definido.

13.11.3 Tipo de recepção de sinal de chamada

- Prima nove vezes o botão- ↵ (7) .
- Prima o botão- ▲ (11) ou o botão-▼ (10) para seleccionar o tipo de recepção do sinal de chamada.
 1. Apenas som 📞
 2. Som + vibração 📞
 3. Apenas vibração ()

Prima o botão - PTT (12) para confirmar e regressar ao modo de espera.

13.12 Ligar/Desligar sinal de fim de comunicação (Roger)

Depois de soltar o botão-PTT (12) , a unidade envia um sinal de fim de comunicação (Roger) de modo a confirmar que parou de falar.



Para definir o sinal de fim de comunicação (Roger).

- Prima o botão ↵ (7) dez vezes. 'r0' é apresentado.
- Prima o botão ▲ (11) para ligar (ON) ou o botão ▼ (10) para desligar o sinal de fim de comunicação (Roger) (OFF).
- Prima o botão PTT (12) para confirmar a escolha e regressar ao modo de espera.

13.13 Ligar/Desligar tons de teclado

Quando um botão é premido, a unidade emite um ligeiro 'bip'.



Para definir os tons do teclado.

- Prima o botão ↵ (7) onze vezes. 't0' é apresentado.
- Prima o botão ▲ (11) para ligar (ON) ou o botão ▼ (10) para desligar os tons de teclado (OFF).
- Prima o botão- PTT (12) para confirmar a sua selecção e regressar ao modo de espera.

13.14 Função de monitorização de bicanal 'Dual Channel'

No modo de espera, o PMR é definido para um canal com um código CTCSS/DCS. O PMR apenas recebe sinais transmitidos nesse canal com o código CTCSS/DCS.

O monitor de bicanal 'Dual Channel Monitor' (DCS) permite-lhe monitorizar um segundo canal com código CTCSS/DCS.

- Prima doze vezes o botão- ↵ (7) , " DCM OFF" pisca no visor.
- Prima o botão ▲ (11) ou o botão ▼ (10) para mudar o canal.
- Prima o botão ↵ (7) para confirmar a selecção de canal e ir para a selecção de CTCSS. (Prima novamente o botão ↵ (7) para ir para a selecção DCS)
- Prima o botão ▲ (11) ou o botão ▼ (10) para mudar o código CTCSS ou o código DCS.
- Prima o botão - PTT (12) para confirmar e regressar ao modo de espera.
- Para desligar a função selecione "OFF" quando estiver a seleccionar o canal DCM.



Quando a função de monitorização de duocanal está activada, o PMR comuta sequencialmente entre o canal de espera + código CTCSS/DCS e o outro canal seleccionado + código CTCSS/DCS.

13.15 Bloqueio do teclado



- Prima e mantenha premido o botão ⑦ durante três segundos para activar o modo de bloqueio de teclado. O ícone de bloqueio de teclado é mostrado no visor LCD.
- Prima e mantenha premido o botão ⑦ de novo, durante três segundos, para desactivar o bloqueio de teclado



O botão- PTT ⑫, o botão- ⑥ e o botão- ① continuam funcionais mesmo quando o bloqueio de teclado está activado.

13.16 Luz de fundo do visor

Para activar a luz de fundo do visor LCD, prima qualquer botão excepto o botão - PTT ⑫ ou o botão - ⑥ .

A luz de fundo do visor LCD acende-se até 6 segundos.

14 Ligar o auricular

O conector encontra-se no lado superior da unidade ②.

Insira a ficha do auricular no conector (jaque de 2,5 mm).

O pequeno botão no auricular tem a mesma função que o botão- PTT ⑫ na unidade. Ao utilizar o botão - PTT ⑫ do auricular, tem de utilizar também o microfone existente no fio do auricular..



Não conecte outros auriculares. Isso pode danificar o dispositivo.

15 Diagnóstico de avarias

Sem energia	Limpe os contactos das pilhas com um pano suave. Substitua as pilhas.
Sem transmissão	Certifique-se de que o botão - PTT ⑫ está completamente premido antes de falar. Monitorize a actividade do canal e mude para outro canal se o canal actual estiver ocupado.
Sem recepção	Verifique o volume do altifalante. Certifique-se de que se encontra dentro da área de cobertura de recepção do emissor e, se necessário, mude de lugar.
Alcance limitado e ruído durante a transmissão	O alcance da área de cobertura depende do terreno. Construções em aço, edifícios de betão e a utilização dentro de veículos têm uma influência negativa sobre o alcance. Tente evitar o máximo de obstáculos possível e manter uma linha visual desimpedida durante a comunicação. Mude de lugar.
Interferência	O receptor e o transmissor estão demasiado próximos. A distância mínima entre 2 unidades é de 1,5 m.

16 Especificações técnicas

Canais	8
Subcódigo	CTCSS 38 / DCS 83
Frequência	446.00625MHz - 446.09375 MHz
Alcance	Até 10 km (campo aberto)
Pilha	lões de lítio 3,7V recarregáveis
Poder de Transmissão	=< 500mW ERP
Tipo de Modulação	FM - F3E
Espaçamento de canais	12,5 kHz
Transformador Duo Charger	Entrada : 230V AC / 50Hz - Saída : 7,5 V DC / 750mA

Channel Frequency Chart:		CTCSS Code Chart							
Channel	Frequency (MHz)	Code	Frequency (Hz)	Code	Freq. (Hz)	Code	Freq. (Hz)	Code	Freq. (Hz)
1	446,00625	0	Disabled	10	94,8	20	131,8	30	186,2
2	446,01875	1	67,0	11	97,4	21	136,5	31	192,8
3	446,03125	2	71,9	12	100,0	22	141,3	32	203,5
4	446,04375	3	74,4	13	103,5	23	146,2	33	210,7
5	446,05625	4	77,0	14	107,2	24	151,4	34	218,1
6	446,06875	5	79,7	15	110,9	25	156,7	35	225,7
7	446,08125	6	82,5	16	114,8	26	162,2	36	233,6
8	446,09375	7	85,4	17	118,8	27	167,9	37	241,8
		8	88,5	18	123,0	28	173,8	38	250,3
		9	91,5	19	127,3	29	179,9		

DCS Code Chart							
No	DCS code	No	DCS code	No	DCS code	No	DCS code
0	Disabled	21	134	42	311	63	516
1	23	22	143	43	315	64	532
2	25	23	152	44	331	65	546
3	26	24	155	45	343	66	565
4	31	25	156	46	346	67	606
5	32	26	162	47	351	68	612
6	43	27	165	48	364	69	624
7	47	28	172	49	365	70	627
8	51	29	174	50	371	71	631
9	54	30	205	51	411	72	632
10	65	31	223	52	412	73	654
11	71	32	226	53	413	74	662
12	72	33	243	54	423	75	664
13	73	34	244	55	431	76	703
14	74	35	245	56	432	77	712
15	114	36	251	57	445	78	723
16	115	37	261	58	464	79	731
17	116	38	263	59	465	80	732
18	125	39	265	60	466	81	734
19	131	40	271	61	503	82	743
20	132	41	306	62	506	83	754

17 Topcom garantia

17.1 Período de garantia

As unidades Topcom têm um período de garantia de 24 meses. O período de garantia entra em efeito a partir da data de compra da unidade. Não há nenhuma garantia em baterias padrão ou recarregáveis (tipo de AA/AAA).

Consumíveis e defeitos que causem um efeito negligenciável sobre o funcionamento ou o valor do equipamento não se encontram cobertos por esta garantia.

A prova de garantia terá de ser dada com a apresentação da respectiva confirmação de compra, ou uma cópia da mesma, no qual aparecem indicados a data de compra bem como o modelo da unidade.

17.2 Modo de funcionamento da garantia

Uma unidade defeituosa necessita de ser devolvida aos serviços centrais da Topcom juntamente com uma nota de compra válida e um cartão de assistência ao cliente devidamente preenchido. Caso a unidade desenvolva um defeito durante o período de garantia, a Topcom ou um centro de serviços oficialmente por ela designado reparará qualquer defeito derivado de material ou falhas de fabrico, reparando ou substituindo as unidades ou as peças defeituosas, sem qualquer custo adicional. No caso de substituição, a cor e o modelo poderão ser diferentes dos da unidade adquirida originalmente. A data inicial de compra determinará o início do período de garantia. O período de garantia não será prolongado no caso da unidade ser trocada ou reparada por Topcom ou qualquer dos seus centros de reparação.

17.3 Exclusões de garantia

Danos ou defeitos causados pelo tratamento ou operação incorrectos e danos resultantes da utilização de peças ou acessórios não originais não são abrangidos pela garantia.

A garantia não cobre danos causados por factores externos, como relâmpagos, água e fogo, nem quaisquer danos causados durante o transporte.

Não se poderá reclamar os direitos de garantia se o número de série que se encontra na unidade tiver sido alterado, retirado ou tornado ilegível.

Qualquer reclamação de garantia não será válida se a unidade tiver sido reparada, alterada ou modificada pelo comprador.

1 Úvod

Děkujeme Vám za zakoupení zařízení Twintalker 7100 Sports Pack. Jedná se o nízkonapěťové radiokomunikační zařízení s maximálním dosahem 10 km, jehož jediné náklady na provoz představují náklady na dobíjení baterií. Twintalker pracuje na 8 kanálech.

2 Předpokládaný účel použití

Zařízení lze použít i k různým rekreačním účelům. Například: při cestování pro komunikaci mezi dvěma či více automobily, při cyklistice či lyžování. Můžete jej použít pro spojení se svými dětmi, které si hrají venku, atd.

3 Značka CE

Symbol CE na jednotce, uživatelské příručce a na dárkové krabici znamená, že jednotka splňuje základní požadavky směrnice R&TTE (směrnice EU 1995/5/EC).

4 Bezpečnostní pokyny

4.1 Obecné

Přečtěte si laskavě pozorně následující informace týkající se bezpečnosti a správného použití. Seznamte se se všemi funkcemi zařízení. Příručku uschovejte na bezpečném místě pro budoucí použití.

4.2 Popáleniny

- Je-li kryt antény poškozený, nedotýkejte se jej, nebo při styku antény s kůží by během vysílání mohlo dojít k drobnému popálení.
- Baterie mohou způsobit škody na majetku typu spálenin, pokud se například vodivý materiál jako jsou šperky, klíče či korálkové řetízky dotknou obnažených svorek baterie. Materiál může vytvořit elektrický obvod (krátké spojení) a zahřát se na vysokou teplotu. Proto postupujte při zacházení s nabitými bateriemi opatrně, zejména při jejich ukládání do kapsy, kabelky či na jiné místo obsahující kovové předměty.

4.3 Zranění

- Nedávejte zařízení na místo, kde je uložen airbag, ani tam, kam aktivovaný airbag zasáhne. Airbagy se aktivují velkou silou. Pokud se vysílačka nachází v oblasti působení aktivovaného airbagu, může dojít k jejímu prudkému vyvrstvení a tím i vážnému zranění posádky vozidla.
- Vysílačku rovněž udržujte ve vzdálenosti minimálně 15 cm od kardiostimulátoru.
- Dojde-li k interferenci vysílačky s lékařským přístrojem, okamžitě zařízení VYPNĚTE.

4.4 Nebezpečí výbuchu

- Nevyměňujte baterie v potenciálně výbušném prostředí. Při vkládání nebo vyjímání baterií může na kontaktech dojít k jiskření, které by mohlo být příčinou výbuchu.
- Ve všech prostředích s nebezpečím výbuchu vysílačku vypněte. Jiskry na takovém místě by mohly způsobit výbuch nebo požár s následkem tělesného zranění či dokonce smrti.
- Nikdy baterie naházejte do ohně, protože by mohly explodovat.



Místa s nebezpečím výbuchu bývají často, ale ne vždy, jasně označena. Jedná se například o místa pro doplňování paliva, jako jsou podpalubí lodí nebo prostředí se zařízeními pro čerpání nebo uložení paliv či chemikálií; místa, kde vzduch obsahuje chemikálie nebo různé částice, například prach, obilný či kovový prášek; a jakákoli další místa, kde byste byli standardně požádáni o vypnutí motoru vozidla.

4.5 Nebezpečí otravy

- Baterie uchovávejte mimo dosah dětí

4.6 Právní omezení

- V některých zemích je zakázáno používat vysílačku při řízení motorového vozidla. V takovém případě zastavte před použitím zařízení mimo silnici.
- Vysílačku VYPNĚTE na palubě letadla, obdržíte-li takový pokyn. Jakékoli použití vysílačky musí odpovídat leteckým předpisům či pokynům posádky.
- Vysílačku VYPNĚTE všude, kde k tomu budete vyzváni příslušnými nápisy. Nemocnice nebo zdravotnická zařízení možná používají zařízení citlivá na vnější energii, jejímž zdrojem je rádiová frekvence.
- Výměna nebo úprava antény může ovlivnit rádiové specifikace vysílačky, čímž by mohlo dojít k porušení předpisů ES. Nepovolené antény by rovněž mohly poškodit vysílačku.

4.7 Poznámky

- Při přenosu se nedotýkejte antény, mohl by být ovlivněn dosah signálu.
- Pokud nebudete zařízení delší dobu používat, vyjměte z něj baterie.

5 Čištění a údržba

- Jednotku čistěte hadříkem navlhčeným ve vodě. K čištění jednotky nepoužívejte čisticí prostředky ani rozpouštědla; mohla by poškodit plášť, vniknout dovnitř a způsobit trvalé poškození.
- Kontakty baterií můžete otřít suchým hadříkem, který nepouští chlupy.
- Dojde-li k navlhnutí jednotky, vypněte ji a ihned vyndejte baterie. Příhrádku na baterie vysušte měkkým hadříkem, abyste omezili možné poškození v důsledku působení vody. Kryt příhrádky na baterie nechte sejmutý přes noc, popřípadě dokud příhrádka zcela nevyschne. Jednotku nepoužívejte, dokud nebude naprosto suchá.

6 Likvidace zařízení (ohleduplná k životnímu prostředí)



Na konci životnosti produktu neodhazujte tento produkt do normálního domovního odpadu, ale odneste jej na sběrné místo pro recyklaci elektrických a elektronických zařízení. Tento pokyn je vyznačen symbolem na produktu, v uživatelské příručce nebo na krabici.

Některé materiály použité v produktu lze znovu použít, pokud je zanesete do sběrného místa pro recyklaci. Opětovným použitím některých součástí nebo surovin z použitých výrobků významně přispíváte k ochraně životního prostředí. Potřebujete-li získat další informace o sběrných místech ve svém okolí, obraťte se na místní úřady.

7 Použití vysílačky

Při komunikaci musí být všechny vysílačky naladěny na stejný kanál a kód CTCSS/DCS (viz kapitolu „13.7 CTCSS (Continuous Tone Coded Squelch System) / DCS (Digital Coded Squelch)“) a musí se nacházet v dosahu příjmu (maximálně 10 km na otevřeném prostranství). Protože tato zařízení využívají volná kmitočtová pásma (kanály), sdílejí tyto kanály (celkem 8 kanálů) všechna zařízení v provozu. Z tohoto důvodu není zaručeno soukromí. Kdokoliv s vysílačkou naladěnou na váš kanál může odposlouchávat váš rozhovor. Pokud chcete komunikovat (přenášet hlasový signál), musíte stisknout tlačítko PTT (12).

Jakmile stisknete tlačítko, přejde zařízení do přenosového režimu a vy můžete mluvit do mikrofonu. Všechny ostatní vysílačky v dosahu, na stejném kanálu a v pohotovostním režimu (které nevysílají) uslyší vaši zprávu. Před odpovědí na zprávu musíte počkat, až druhá strana ukončí přenos. Na konci každého přenosu vyše jednotka pípnutí na znamení porozumění, pokud je funkce tohoto pípnutí aktivní (viz kapitolu „13.12 Zapnutí a vypnutí potvrzení „Rozumím““). Chcete-li odpovědět, stiskněte jednoduše tlačítko PTT (12) a začnete mluvit do mikrofonu.



Pokud tlačítko PTT (12) stisknou zároveň dva uživatelé nebo více uživatelů, přijme přijímač pouze nejsilnější signál a ostatní signály budou potlačeny. Proto byste měli přenášet signál (stisknutím tlačítka PTT (12)) pouze tehdy, když je kanál volný.



Dosah rádiových vln je silně ovlivněn překážkami, jako jsou budovy, železobetonové stavby, terénní nerovnosti, zalesněná krajina, rostliny a podobně. To znamená, že dosah dvou nebo více vysílaček PMR může být v extrémních případech omezen na maximum pouze několik desítek metrů. Brzy poznáte, že vysílačka PMR funguje nejlépe tam, kde je mezi uživateli minimum překážek.

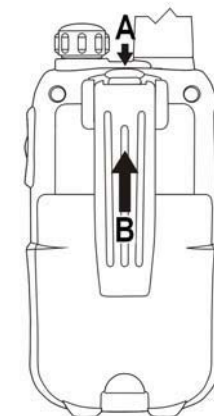
8 Obsah balení

- 2x vysílačka Twintalker 9500
- 2 x stolní nabíječka
- 2 x napájecí adaptér
- 8 x baterie NiMh typu AAA
- Návod pro uživatele
- Karta s adresou servisu a kontaktem na horkou linku

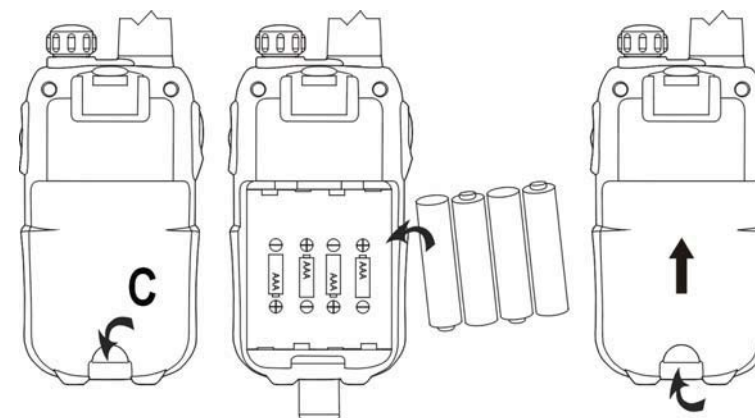
9 Začínáme

9.1 Nasazení/sejmutí klipsu na pásek

1. Jestliže chcete sponu demontovat z jednotky, zatlačte ji (B) směrem k anténě a přitom odtáhněte západku spony (A).
2. Při vracení spony na místo je zajištění spony ve správné poloze signalizováno cvaknutím.



9.2 Vkládání baterií



1. Sejměte sponu na opasek (viz kapitolu „9.1 Nasazení/sejmutí klipsu na pásek“).
2. Opatrným zatlačením na západku dvířek (C) pomocí nehtu zdvihnete kryt baterie.
3. Nainstalujte baterie NiMh. Baterie musí být nainstalovány se správnou polaritou.
4. Kryt baterie uzavřete.
5. Nasadte zpět sponu na opasek.

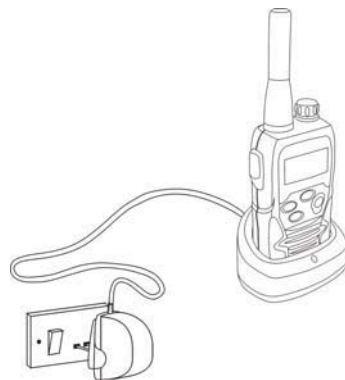
10 Nabíjení baterií

Baterii vysílačky PMR můžete nabíjet dvěma způsoby:

10.1 Pomocí stolní nabíječky

Stolní nabíječka nabízí pohodlné nabíjení pouhým vložením vysílačky do nabíječky.

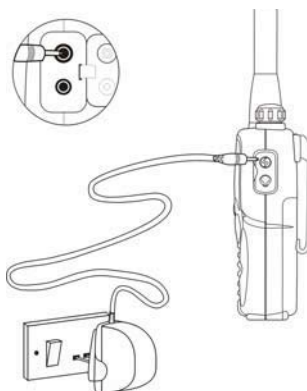
1. Položte stolní nabíječku na rovný povrch.
2. Zapojte jeden konec dodaného adaptéru do dobře přístupné elektrické zásuvky a druhý konec do konektoru na zadní straně stolní nabíječky (28). (Viz složenou titulní stránku – obrázek 3.)
3. Vložte vysílačku do nabíječky podle návodu.
4. Pokud vysílačku správně vložíte a zahájí se nabíjení, rozsvítí se kontrolka nabíjení (29). (Viz složenou titulní stránku – obrázek 3.)



10.2 Připojením napájecího adaptéru přímo k vysílačce

1. Připojte konektor napájecího adaptéru přímo ke zdířce nabíječky (3) na vysílačce.

Úplné dobití baterií trvá asi 8 až 10 hodin.



Během nabíjení nabíječky nemačkejte tlačítko PTT (12) !



Baterie nezkratujte ani je nelikvidujte vhašováním do ohně. Jestliže zařízení nemá být po delší dobu používáno, baterie vyndejte. V nabíječce nenabíjejte baterie, které nejsou určeny k dobíjení (např. alkalické). Mohlo by dojít k poškození vysílačky a nabíječky.

11 Popis

Viz složenou stranu obálky – obrázek 1.

1. Vypínač/Ovladač hlasitosti
2. LCD displej
3. Připojení nabíječky
4. Připojení náhlavní soupravy
5. TX LED (při přenosu svítí)
6. Tlačítko volání
7. Tlačítko Nabídka
 - Otevření nabídek
8. Mikrofon
9. Reprodukční
10. Tlačítko Dolů
 - Výběr předcházející hodnoty v nabídce
11. Tlačítko Nahoru
 - Výběr následující hodnoty v nabídce
12. Tlačítko PTT
13. Anténa

Viz složenou stranu obálky – obrázek 3.

28. Připojení nabíječky
29. Kontrolka LED nabíječky (při nabíjení svítí)

12 Informace na LCD displeji

Viz složenou stranu obálky – obrázek 2.

14. Indikace CTCSS
15. Indikace DCS
16. Hodnota kódu CTCSS/DCS
17. Indikace frekvence v MHz
18. Indikace MHz
19. Ikona zámku tlačítek
20. Indikace typu příjmu hovoru
21. Indikace úrovně nabití baterie
22. Číslo kanálu
23. Ikona RX
 - Zobrazí se při příjmu.
24. Ikona TX
 - Zobrazí se při přenosu.
25. Indikace VOX
26. Indikace vyhledávání
27. Indikace režimu DCM (Dual Channel Mode)

13 Použití zařízení Twintalker 9500



Na obrázcích displeje na následujících stránkách jsou zobrazeny pouze ikony nebo informace na displeji týkající se funkcí, které jsou vysvětlovány v textu.

13.1 Zapnutí a vypnutí vysílačky



- Otočte Vypínač/Ovladač hlasitosti ① ve směru chodu hodinových ručiček. Zapnutí vysílačky je signalizováno cvaknutím.
- Otočte Vypínač/Ovladač hlasitosti ① proti směru chodu hodinových ručiček až na doraz. Vypnutí vysílačky je signalizováno cvaknutím.

13.2 Ukazatel úrovně nabití baterie a signalizace vybití baterie

Úroveň nabití baterie je vyznačena počtem čtverečků uvnitř ikony baterie na LCD displeji.



- Plně nabitá baterie
- Baterie nabitá z 2/3
- Baterie nabitá z 1/3
- Baterie je vybitá

Když je úroveň nabití baterie nízká, rozblíká se ikona baterie a zazní pípnutí, což znamená, že je třeba baterie vyměnit nebo dobít.

13.3 Nastavení hlasitosti reproduktoru

- Otočením Vypínače/Ovladače hlasitosti ① po směru chodu hodinových ručiček zvýšíte hlasitost reproduktoru.
- Hlasitost snížíte otočením proti směru chodu hodinových ručiček.

13.4 Příjem signálu

Je-li vysílačka zapnutá a nevysílá signál, je trvale v režimu příjmu.



Pokud má vaše vysílání přijímat někdo další, musí mít naladěný stejný kanál a nastavený stejný kód CTCSS nebo DCS. (Viz kapitolu „13.7 Změna kanálů“ a „13.7 CTCSS (Continuous Tone Coded Squelch System) / DCS (Digital Coded Squelch)“.)
Režim CTCSS a DCS nelze nikdy používat současně.

13.5 Vysílání signálu

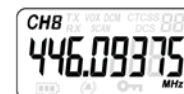


- Jestliže chcete vysílat, stiskněte tlačítko PTT ⑫ a podržte jej stisknuté. Zobrazí se symbol TX.
- Přístroj držte ve svislé poloze s mikrofonem 10 cm před ústy a mluvte do mikrofonu.
- Jestliže chcete vysílání ukončit, tlačítko PTT ⑫ uvolněte.



Pro kontrolu činnosti kanálu použijte funkci sledování. (Viz kapitolu „13.8 Sledování“.)

13.6 Změna kanálů



- Jednou stiskněte tlačítko ↔ ⑦. Na displeji začne blikat aktuální číslo kanálu.
- Jestliže chcete kanál změnit, stiskněte tlačítko ▲ ⑩ nebo ▼ ⑩.
- Pro potvrzení a návrat do pohotovostního režimu stiskněte tlačítko PTT ⑫.



Pokud během nastavování nestisknete do 5 sekund žádné tlačítko, jednotka přejde zpět do pohotovostního režimu.

13.7 CTCSS (Continuous Tone Coded Squelch System) / DCS (Digital Coded Squelch)

Vysílačky PMR, k jejichž používání není potřebná licence, a pracují ve frekvenčním pásmu 446 MHz, tj. např. zařízení Twintalker 9500 PMR, mají k dispozici 8 kanálů. Pokud je ve vašem okolí velký počet uživatelů vysílaček PMR, existuje možnost, že někteří z nich používají stejný kanál. Abyste mohli zabránit přijímání signálů od jiných uživatelů, jsou ve vysílačce integrovány podkanály.

Dvě vysílačky PMR spolu mohou komunikovat pouze tehdy, pokud používají stejný kanál a mají zvoleny přesně stejný podkanál.

Existují dva druhy podkanálů:

- Continuous Tone Coded Squelch System (CTCSS)
- Digital Coded Squelch (DCS)

Při používání režimu CTCSS je spolu s hlasovým signálem vyslán tón o nízké frekvenci (z intervalu 67 až 250 Hz). Můžete vybírat z 38 dostupných tónů. Můžete si vybrat libovolný z těchto 38 dostupných tónů. Vzhledem k filtrování budou tyto tóny obecně neslyšitelné, proto nebudou komunikaci rušit.

DCS se podobá CTCSS, ale místo spojitého vysílání tónu o dané frekvenci jsou k rádiovému signálu přidána digitální data. Digitální data jsou přenášena skutečně nízkou rychlostí, přibližně 134 b/s (kód má délku 23 bitů). Režim DCS podporují pouze vysílačky PMR nejnovější generace. Použit lze 83 dostupných kódů DCS. Protože starší modely podporují pouze režim CTCSS, je lepší zabránit rušení vaší konverzace pomocí vysílaček PMR tím, že použijete režim DCS.

13.7.1 CTCSS



- Stiskněte dvakrát tlačítko ↗ (7) : Na displeji bude blikat text „**CTCSS**“ a aktuální kód CTCSS.
- Chcete-li změnit kód, stiskněte tlačítko ▲ (11) nebo ▼ (10) .
- Pro potvrzení a návrat do pohotovostního režimu stiskněte tlačítko PTT (12) .

13.7.2 DCS



- Stiskněte třikrát tlačítko ↗ (7) : Na displeji bude blikat text **DCS** a aktuální kód DCS.
- Chcete-li změnit kód, stiskněte tlačítko ▲ (11) nebo ▼ (10) .
- Pro potvrzení a návrat do pohotovostního režimu stiskněte tlačítko PTT (12) .



Chcete-li vypnout režim CTCSS nebo DCS, zvolte v nabídce pro CTCSS nebo DCS kód 00. Po potvrzení zadání se zobrazí zpráva OF.

13.8 Sledování

Funkci monitoru můžete použít pro ověření slabších signálů na aktuálním kanálu.

- Chcete-li aktivovat sledování kanálů, stiskněte současně tlačítka ↗ (7) a ▼ (10) .
- Jestliže chcete sledování kanálů vypnout, stiskněte tlačítko ↗ (7) .



Během sledování kanálů nebude přijímací obvod vysílačky PMR detekovat kódy CTCSS nebo DCS.

13.9 Volba funkce VOX

Přístroj PMR dokáže vysílat prostřednictvím aktivace hlasem (VOX). V režimu VOX bude vysílačka vysílat signál tehdy, když bude aktivována vaším hlasem nebo jiným zvukem ve vašem okolí. Provoz v režimu VOX se nedoporučuje, zamýšlíte-li používat vysílačku v hlučném či větrném prostředí.



Režim VOX se vypne stisknutím tlačítka PTT (12) .

- Stiskněte čtyřikrát tlačítko ↗ (7) . Na displeji bliká aktuální nastavení VOX a zobrazí se ikona VOX.
- Stisknutím tlačítka ▲ (11) nastavíte úroveň citlivosti VOX mezi hodnotami 1 a 3 (úroveň 3 je nejcitlivější).
- Jestliže chcete vypnout funkci VOX, stiskněte a podržte tlačítko ▼ (10) , dokud se na displeji nezobrazí zpráva **OFF**.
- Pro potvrzení a návrat do pohotovostního režimu stiskněte tlačítko PTT (12) .



13.10 Vyhledávání kanálů

Funkce vyhledávání kanálů provádí vyhledávání aktivních signálů v nekonečné smyčce od kanálu 1 po kanál 8.

Po nalezení aktivního kanálu máte možnost vyhledat kód CTCSS nebo DCS, který má nastaven uživatel vysílající na daném kanálu.

13.10.1 Vyhledávání aktivního rádiového kanálu

- Stiskněte pětikrát tlačítko ↗ (7) : Na displeji bude blikat text **SCAN** a aktuální kanál.
- Jestliže chcete spustit hledání kanálů, stiskněte tlačítko ▲ (11) nebo ▼ (10) .



Po nalezení aktivního kanálu se vyhledávání zastaví a můžete poslouchat přenos.

Když se přenos na nalezeném kanálu zastaví, vyhledávání bude automaticky pokračovat.



Pokud při poslouhání nalezeného kanálu stisknete tlačítko PTT (12) , vysílačka PMR se vrátí do pohotovostního režimu na nalezeném kanálu.

13.10.2 Vyhledávání kódu CTCSS

Po nalezení aktivního kanálu zvolte nalezený kanál stisknutím tlačítka PTT (12) . Nyní můžete vyhledat kód CTCSS/DCS, který používá nalezený uživatel.

- Stiskněte šestkrát tlačítko ↗ (7) : Na displeji bude pro zvolený rádiový kanál blikat **SCAN** a **CTCSS 00**.
- Jestliže chcete spustit hledání CTCSS, stiskněte tlačítko ▲ (11) nebo ▼ (10) .



Jakmile bude na daném kanálu zachyceno vysílání, bude zjištěn a zobrazen kód CTCSS (je-li použit).



- Pokud při posлуštění nalezeného kódu CTCSS stisknete tlačítko PTT (12), vysílačka PMR se vrátí do pohotovostního režimu na nalezeném kódu CTCSS.
- Pokud není detekován kód CTCSS, existuje možnost, že uživatel používá DCS. V tom případě spusťte vyhledávání kódu DCS. (Část 13.10.3)

13.10.3 Vyhledávání kódu DCS



- Stiskněte sedmkrát tlačítko ↵ (7): Na displeji bude pro zvolený rádiový kanál blikat **SCAN** a **DCS 00**.
- Jestliže chcete spustit hledání DCS, stiskněte tlačítko ▲ (11) nebo ▼ (10).

Jakmile bude na daném kanálu zachyceno vysílání, bude zjištěn a zobrazen kód DCS (je-li použit).



Pokud při posluštění nalezeného kódu DCS stisknete tlačítko PTT (12), vysílačka PMR se vrátí do pohotovostního režimu na nalezeném kódu DCS.

13.11 Volací tóny

Volací tón upozorní ostatní, že chcete začít mluvit.

13.11.1 Nastavení volacího tónu

Zařízení Twintalker 9500 má 15 volacích tónů.



- Stiskněte osmkrát tlačítko ↵ (7). Zobrazí se symbol „C“ a bliká aktuální volací tón.
- Chcete-li změnit volací tón, stiskněte tlačítko ▲ (11) nebo ▼ (10).
- Pro potvrzení a návrat do pohotovostního režimu stiskněte tlačítko PTT (12).

13.11.2 Odeslání volacího tónu

Stiskněte krátce tlačítko ⏸ (6). Volací tón bude přenesen na nastaveném kanálu.

13.11.3 Typ příjmu volacího tónu

- Stiskněte devětkrát tlačítko ↵ (7).
- Stiskem tlačítka ▲ (11) nebo ▼ (10) vyberete typ příjmu volacího tónu.
 1. Pouze tón 📻
 2. Tón a vibrace 📻🔊
 3. Pouze vibrace 📻🔊

Pro potvrzení a návrat do pohotovostního režimu stiskněte tlačítko PTT (12).

13.12 Zapnutí a vypnutí potvrzení „Rozumím“

Po uvolnění tlačítka PTT (12) vyše zařízení potvrzení „Rozumím“, jímž se potvrdí ukončení vaší promluvy.



Nastavení potvrzení „Rozumím“.

- Stiskněte desetkrát tlačítko ↵ (7). Na displeji se zobrazí „rO“.
- Stisknutím tlačítka ▲ (11) povolíte **(ON)** nebo tlačítka ▼ (10) zakážete **(OFF)** pípnutí potvrzení Rozumím.
- Pro potvrzení výběru a návrat do pohotovostního režimu stiskněte tlačítko PTT (12).

13.13 Zapnutí a vypnutí zvuku tlačítek

Při stisknutí tlačítka jednotka krátce pípe.



Nastavení tónu tlačítek:

- Stiskněte jedenáctkrát tlačítko ↵ (7). Zobrazí se **tO**.
- Stisknutím tlačítka ▲ (11) povolíte **(ON)** nebo tlačítka ▼ (10) zakážete **(OFF)** tóny tlačítek.
- Pro potvrzení výběru a návrat do pohotovostního režimu stiskněte tlačítko PTT (12).

13.14 Funkce duálního sledování kanálů

V pohotovostním režimu je vysílačka nastavena na jeden nastavený kanál s kódem CTCSS/DCS. Vysílačka bude přijímat pouze signály přenášené na tomto kanálu a s daným kódem CTCSS/DCS.

Duální sledování kanálu (DCM) umožňuje sledování druhého kanálu s kódem CTCSS/DCS.

- Stiskněte dvanáctkrát tlačítko ↵ (7). Na displeji začne blikat **DCM OFF**.
- Jestliže chcete kanál změnit, stiskněte tlačítko ▲ (11) nebo ▼ (10).
- Stisknutím tlačítka ↵ (7) potvrďte výběr kanálu a přejděte na výběr CTCSS. (Dalším stisknutím tlačítka ↵ (7) přejdete na výběr DCS.)
- Jestliže chcete kód CTCSS nebo DCS změnit, stiskněte tlačítko ▲ (11) nebo ▼ (10).
- Pro potvrzení a návrat do pohotovostního režimu stiskněte tlačítko PTT (12).
- Chcete-li funkci vypnout, zvolte při výběru kanálu DCM možnost **OFF**.

Je-li aktivní funkce duálního sledování kanálů, vysílačka bude postupně přepínat mezi pohotovostním kanálem + CTCSS/DCS a duálním kanálem + CTCSS/DCS.

13.15 Blokování tlačítek



- Jestliže chcete aktivovat režim blokování tlačítek, stiskněte tlačítko a podržte je po dobu 3 sekund. Na LCD displeji se zobrazí ikona blokování tlačítek.
- Pokud chcete funkci blokování tlačítek deaktivovat, znovu na 3 sekundy stiskněte a podržte tlačítko .

I při zapnutí blokování tlačítek budou funkční tlačítka PTT , a .

13.16 Podsvícení displeje

Chcete-li aktivovat podsvícení LCD displeje, stiskněte libovolné tlačítko kromě tlačítka PTT nebo .

Podsvícení displeje bude aktivní po dobu 6 sekund.

14 Připojení sluchátek

Konektor je umístěn na horní straně vysílačky .

Zasuňte zástrčku sluchátek do konektoru (zdířka 2,5 mm).

Malé tlačítko na sluchátku má tutéž funkci jako tlačítko PTT na jednotce.

Použijete-li tlačítko PTT na sluchátkách, musíte rovněž použít mikrofon sluchátek..

Nepřipojujte jiná sluchátka. Může dojít k poškození zařízení.

15 Odstraňování problémů

Není napájení	Vyčistěte kontakty baterie měkkým hadříkem. Vyměňte baterie.
Nedochází k vysílání	Zkontrolujte, zda je tlačítko PTT předtím, než začnete mluvit, úplně stisknuté. Sledujte provoz na kanálu a pokud se aktuální kanál používá, přepněte na jiný.
Žádný příjem	Zkontrolujte hlasitost reproduktoru. Zkontrolujte, zda jste v dosahu příjmu vysílačky a v případě potřeby změňte místo.
Omezený dosah a šum během přenosu	Dosah vysílání závisí na terénu. Ocelové konstrukce, betonové budovy nebo používání ve vozidlech může mít na dosah nepříznivý účinek. Snažte se vyhnout co nejvíce překážkám a komunikujte v přímé linii pohledu. Změňte svou polohu.
Rušení	Vzdálenost přijímače a vysílače je příliš malá. Minimální vzdálenost mezi oběma jednotkami je 1,5 m.

16 Technické údaje

Kanály	8
Podoznačení	CTCSS 38 / DCS 83
Kmitočet	446,00625 MHz – 446,09375 MHz
Rozsah	Až 10 km (v otevřeném terénu)
Baterie	Li-ion 3,7 V, dobíjecí
Vysílací výkon	=< 500 mW ERP
Typ modulace	FM - F3E
Separace kanálů	12,5 kHz
+Adaptér nabíječky Duo	Vstup: 230 V stř. / 50 Hz, výstup: 7,5 V ss. / 750 mA

Channel Frequency Chart:		CTCSS Code Chart							
Channel	Frequency (MHz)	Code	Frequency (Hz)	Code	Freq. (Hz)	Code	Freq. (Hz)	Code	Freq. (Hz)
1	446,00625	0	Disabled	10	94,8	20	131,8	30	186,2
2	446,01875	1	67,0	11	97,4	21	136,5	31	192,8
3	446,03125	2	71,9	12	100,0	22	141,3	32	203,5
4	446,04375	3	74,4	13	103,5	23	146,2	33	210,7
5	446,05625	4	77,0	14	107,2	24	151,4	34	218,1
6	446,06875	5	79,7	15	110,9	25	156,7	35	225,7
7	446,08125	6	82,5	16	114,8	26	162,2	36	233,6
8	446,09375	7	85,4	17	118,8	27	167,9	37	241,8
		8	88,5	18	123,0	28	173,8	38	250,3
		9	91,5	19	127,3	29	179,9		

DCS Code Chart							
No	DCS code	No	DCS code	No	DCS code	No	DCS code
0	Disabled	21	134	42	311	63	516
1	23	22	143	43	315	64	532
2	25	23	152	44	331	65	546
3	26	24	155	45	343	66	565
4	31	25	156	46	346	67	606
5	32	26	162	47	351	68	612
6	43	27	165	48	364	69	624
7	47	28	172	49	365	70	627
8	51	29	174	50	371	71	631
9	54	30	205	51	411	72	632
10	65	31	223	52	412	73	654
11	71	32	226	53	413	74	662
12	72	33	243	54	423	75	664
13	73	34	244	55	431	76	703
14	74	35	245	56	432	77	712
15	114	36	251	57	445	78	723
16	115	37	261	58	464	79	731
17	116	38	263	59	465	80	732
18	125	39	265	60	466	81	734
19	131	40	271	61	503	82	743
20	132	41	306	62	506	83	754

17 Záruka společnosti Topcom

17.1 Záruční doba

Na přístroje Topcom je poskytována dvouletá záruční doba. Záruční doba začíná dnem zakoupení nového přístroje. Na standardní ani dobíjecí baterie (typ AA/AAA) se žádná záruka nevztahuje.

Záruka se nevztahuje na spotřební materiál nebo závady, které mají na provoz či hodnotu zařízení zanedbatelný vliv.

Nárok na uplatnění záruky vzniká předložením originálu nebo kopie dokladu o koupi, na kterém musí být uvedeno datum nákupu a model přístroje.

17.2 Uplatnění záruky

Vadný přístroj je nutné vrátit do autorizovaného servisního střediska společnosti Topcom společně s platným dokladem o koupi a vyplněnou servisní kartičkou.

Projeví-li se u přístroje závada během záruční doby, opraví společnost Topcom nebo její autorizované servisní středisko bezplatně jakékoli vady materiálu nebo zpracování, a to buď opravou nebo výměnou nefunkčních zařízení či součástí nefunkčních zařízení. V případě výměny se mohou barva a model vyměněného přístroje lišit od barvy a modelu původně zakoupeného přístroje.

Začátek záruční doby je určen počátečním datem nákupu. V případě, že společnost Topcom nebo některé z jejích servisních středisek přístroj vymění nebo opraví, se záruční doba neprodlužuje.

17.3 Výjimky ze záruky

Záruka se nevztahuje na poškození nebo vady způsobené nesprávným zacházením s přístrojem nebo jeho nesprávným používáním ani na škody vzniklé z důvodu použití neoriginálních součástí nebo příslušenství.

Záruka se nevztahuje na žádné škody způsobené vnějšími vlivy, např. bleskem, vodou či požárem, ani na škody vzniklé během přepravy.

Záruku nelze uplatnit, pokud bylo sériové číslo na přístroji změněno, odstraněno nebo je nečitelné.

Pokud byl přístroj opravován, změněn či upraven uživatelem, pozbývá záruka platnosti.

1 Εισαγωγή

Σας ευχαριστούμε που αγοράσατε το Twintalker 7100 Sports Pack. Πρόκειται για μια μεγάλης εμβέλειας συσκευή ραδιοεπικοινωνίας χαμηλής ισχύος, με μέγιστη εμβέλεια 10 χλμ. Δεν έχει άλλες δαπάνες λειτουργίας εκτός από το ελάχιστο κόστος της επαναφόρτισης των μπαταριών. Το TwinTalker λειτουργεί σε 8 κανάλια.

2 Προοριζόμενη χρήση

Μπορεί επίσης να χρησιμοποιηθεί για ψυχαγωγικούς σκοπούς. Για παράδειγμα: για τη διατήρηση επαφής ενώ ταξιδεύετε με 2 ή περισσότερα αυτοκίνητα, κάνετε ποδήλατο ή σκι. Μπορεί να χρησιμοποιηθεί για να κρατήσετε επαφή με τα παιδιά σας ενώ παίζουν έξω κτλ.

3 Σήμα CE

Το σύμβολο CE στη μονάδα, στον οδηγό χρήστη και στο κουτί συσκευασίας και υποδηλώνει ότι η μονάδα συμμορφώνεται με τις ουσιώδεις απαιτήσεις της οδηγίας R&TTE 1995/5/EK.

4 Οδηγίες ασφαλείας

4.1 Γενικά

Διαβάστε προσεκτικά τις πληροφορίες που ακολουθούν σχετικά με την ασφάλεια και τη σωστή χρήση. Εξοικειωθείτε με όλες τις λειτουργίες της συσκευής. Κρατήστε αυτό το εγχειρίδιο σε ασφαλές μέρος για μελλοντική χρήση.

4.2 Εγκαύματα

- Αν το κάλυμμα της κεραίας υποστεί βλάβη, μην το αγγίζετε γιατί αν μια κεραία έρθει σε επαφή με το δέρμα, ενδεχομένως να προκαλέσει ένα ελαφρύ έγκαυμα όταν εκπέμπει.
- Οι μπαταρίες μπορεί να προκαλέσουν υλικές ζημιές όπως καψίματα αν κάποιο αγώγιμο υλικό όπως κοσμήματα, κλειδιά ή αλυσίδες με χάντρες έρθουν σε επαφή με εκτεθειμένους ακροδέκτες. Το υλικό ενδέχεται να δημιουργήσει κλειστό ηλεκτρικό κύκλωμα (βραχυκύκλωμα) και να θερμανθεί πολύ. Δείξτε ιδιαίτερη προσοχή κατά τη χρήση οποιασδήποτε φορτισμένης μπαταρίας, ιδιαίτερα όταν την τοποθετείτε μέσα σε μια τσέπη, πορτοφόλι ή άλλη συσκευασία με μεταλλικά αντικείμενα.

4.3 Τραυματισμοί

- Μην τοποθετείτε τη συσκευή σας στην περιοχή πάνω από έναν αερόσακο ή στην περιοχή ανάπτυξης του αερόσακου. Οι αερόσακοι φουσκώνουν με μεγάλη δύναμη. Εάν το PMR τοποθετηθεί στην περιοχή ανάπτυξης του αερόσακου και ο αερόσακος φουσκώσει, η συσκευή επικοινωνίας μπορεί να εκτοξευθεί με μεγάλη δύναμη και να προκαλέσει σοβαρό τραυματισμό στους επιβαίνοντες στο όχημα.
- Το PMR πρέπει να βρίσκεται σε απόσταση 15 εκατοστών τουλάχιστον από βηματοδότη.
- Σε περίπτωση παρεμβολής με ιατρικό εξοπλισμό, απενεργοποιήστε αμέσως το PMR.

4.4 Κίνδυνος έκρηξης

- Μην αντικαθιστάτε μπαταρίες σε ατμόσφαιρα που υπάρχει κίνδυνος έκρηξης. Μπορεί να προκληθεί σπινθηρισμός επαφών κατά την εγκατάσταση ή αφαίρεση μπαταριών και να προκληθεί έκρηξη.
- Όταν βρίσκεστε σε περιοχή με ατμόσφαιρα όπου υπάρχει κίνδυνος έκρηξης, απενεργοποιείτε το PMR. Οι σπινθήρες σε αυτές τις περιοχές μπορούν ενδεχομένως να

προκαλέσουν έκρηξη ή πυρκαγιά και να προκαλέσουν σωματικό τραυματισμό ή ακόμα και θάνατο.

- Ποτέ μην απορρίπτετε μπαταρίες στη φωτιά καθώς μπορεί να σημειωθεί έκρηξη.



Συνήθως -αλλά όχι πάντα- στις περιοχές όπου υπάρχει κίνδυνος έκρηξης υπάρχει σαφής σχετική σήμανση. Σε αυτές συμπεριλαμβάνονται περιοχές τροφοδοσίας καυσίμων όπως το κατώτερο κατάστρωμα στις βάρκες, εγκαταστάσεις μεταφοράς ή αποθήκευσης καυσίμων ή χημικών, περιοχές όπου ο αέρας περιέχει χημικά ή σωματίδια όπως κόκκους, σκόνη ή σκόνες μετάλλων, όπως και οποιαδήποτε άλλη περιοχή όπου κανονικά θα έπρεπε να κλείσετε τη μηχανή του οχήματός σας.

4.5 Κίνδυνος δηλητηρίασης

- Κρατήστε τις μπαταρίες μακριά από μικρά παιδιά

4.6 Νομοθεσία

- Σε ορισμένες χώρες απαγορεύεται να χρησιμοποιείτε το PMR ενώ οδηγείτε ένα όχημα. Σε αυτή την περίπτωση πρώτα σταθμεύστε πριν χρησιμοποιήσετε αυτήν τη συσκευή.
- Απενεργοποιήστε το PMR όταν έχετε επιβιβαστεί σε αεροπλάνο και σας δοθεί η σχετική οδηγία. Οποιαδήποτε χρήση του PMR πρέπει να είναι σύμφωνη με τους κανονισμούς της αεροπορικής εταιρείας ή τις οδηγίες του πληρώματος.
- Κλείστε το PMR σε οποιοδήποτε εγκαταστάσεις έχουν αναρτηθεί σχετικές ειδοποιήσεις. Νοσοκομεία ή μονάδες ιατρικής φροντίδας ενδεχομένως να χρησιμοποιούν εξοπλισμό που είναι ευαίσθητος στην εξωτερική ενέργεια RF.
- Η αντικατάσταση ή τροποποίηση της κεραίας μπορεί να επηρεάσει τις προδιαγραφές του πομποδέκτη PMR και να παραβιάσει τους κανονισμούς της ΕΚ. Οι μη εξουσιοδοτημένες κεραίες μπορούν επίσης να προκαλέσουν βλάβη στον πομποδέκτη.

4.7 Σημειώσεις

- Μην αγγίζετε την κεραία κατά τη διάρκεια εκπομπής, καθώς κάτι τέτοιο ενδεχομένως να επηρεάσει την εμβέλεια.
- Όταν δεν σκοπεύετε να χρησιμοποιήσετε τη συσκευή για μεγάλο χρονικό διάστημα, αφαιρείτε τις μπαταρίες.

5 Καθαρισμός και συντήρηση

- Για να καθαρίσετε τη μονάδα, σκουπίστε την με ένα μαλακό πανί ελαφρά βρεγμένο με νερό. Μην χρησιμοποιήσετε κάποιο καθαριστικό μέσο ή διαλύτες στη μονάδα, καθώς μπορούν να προκαλέσουν βλάβη στο περίβλημα και να διαρρεύσουν στο εσωτερικό του, προκαλώντας μόνιμη βλάβη.
- Μπορείτε να σκουπίσετε τις επαφές της μπαταρίας με ένα στεγνό ύφασμα χωρίς χνούδια.
- Αν η μονάδα βραχεί, κλείστε την και αφαιρέστε αμέσως τις μπαταρίες. Στεγνώστε τη θήκη της μπαταρίας με ένα μαλακό πανί για να ελαχιστοποιήσετε μια ενδεχόμενη βλάβη εξαιτίας του νερού. Αφήστε το κάλυμμα της θήκης της μπαταρίας ανοιχτό κατά τη διάρκεια της νύχτας ή μέχρι να στεγνώσει εντελώς. Μην χρησιμοποιείτε τη μονάδα αν πρώτα δεν στεγνώσει εντελώς.

6 Απόρριψη της συσκευής (περιβάλλον)



Όταν ολοκληρωθεί ο κύκλος ζωής του προϊόντος, μην το πετάξετε στα οικιακά απορρίμματα, αλλά φέρτε το σε ένα σημείο συλλογής για την ανακύκλωση ηλεκτρικών και ηλεκτρονικών προϊόντων. Αυτό υποδεικνύεται από το σύμβολο πάνω στο προϊόν, στον οδηγό χρήστη και/ή στο κουτί.

Ορισμένα από τα υλικά του προϊόντος μπορούν να ξαναχρησιμοποιηθούν εάν τα φέρετε σε κάποιο σημείο συλλογής προϊόντων προς ανακύκλωση. Με την επαναχρησιμοποίηση ορισμένων μερών ή πρώτων υλών από χρησιμοποιημένα προϊόντα συμβάλλετε σημαντικά στην προστασία του περιβάλλοντος. Επικοινωνήστε με τις τοπικές αρχές για πληροφορίες σχετικά με τα σημεία συλλογής στην περιοχή σας.

7 Χρήση μιας συσκευής PMR

Για να είναι εφικτή η επικοινωνία μεταξύ συσκευών PMR, πρέπει να έχουν ρυθμιστεί όλες στο ίδιο κανάλι και στον ίδιο κωδικό CTCSS/DCS (βλ. κεφάλαιο “13.7 CTCSS (Continuous Tone Coded Squelch System) / DCS (Digital Coded Squelch)” και εντός εμβέλειας λήψης (μέχρι και 10 km σε ανοιχτό πεδίο). Καθώς αυτές οι συσκευές χρησιμοποιούν ελεύθερες ζώνες συχνοτήτων (κανάλια), όλες οι συσκευές που βρίσκονται σε λειτουργία μοιράζονται αυτά τα κανάλια (συνολικά 8 κανάλια). Επομένως, δεν υφίσταται εγγύηση ιδιωτικότητας. Οποιοσδήποτε διαθέτει ένα PMR και έχει ρυθμιστεί στο κανάλι σας μπορεί να ακούσει τη συνομιλία. Αν θέλετε να επικοινωνήσετε (μεταδίδοντας ένα φωνητικό σήμα), πρέπει να πατήσετε το πλήκτρο PTT (12).

Μόλις πατήσετε αυτό το πλήκτρο, η συσκευή θα μπει σε λειτουργία εκπομπής και μπορείτε να μιλήσετε στο μικρόφωνο. Όλες οι άλλες συσκευές PMR εντός εμβέλειας, στο ίδιο κανάλι και σε λειτουργία αναμονής (μη εκπομπής) θα ακούν το μήνυμά σας. Πρέπει να περιμένετε έως ότου το άλλο μέρος σταματήσει να εκπέμπει πριν μπορέσετε να απαντήσετε στο μήνυμα. Στο τέλος κάθε εκπομπής και εφόσον η λειτουργία Roger Beer έχει ενεργοποιηθεί (βλ. κεφάλαιο “13.12 Ενεργοποίηση/Απενεργοποίηση του Roger Beer”). Για να απαντήσετε, απλώς πατήστε το πλήκτρο PTT (12) και μιλήστε στο μικρόφωνο.



Αν 2 ή περισσότεροι χρήστες πατήσουν ταυτόχρονα το πλήκτρο PTT (12), ο δέκτης θα λάβει μόνο το πιο ισχυρό σήμα και το(τα) άλλο(-α) σήμα(-τα) θα κατασταλεί(-ούν). Επομένως, θα πρέπει να εκπέμπετε μόνο ένα σήμα (πατήστε το κουμπί PTT - (12) όταν το κανάλι είναι διαθέσιμο.



Η εμβέλεια των ραδιοκυμάτων επηρεάζεται έντονα από εμπόδια όπως π.χ. κτίρια, κατασκευές από σκυρόδεμα/μέταλλο, το ανάγλυφο του εδάφους, δάση, φυτά, ... Αυτό σημαίνει ότι η εμβέλεια μεταξύ δύο ή περισσότερων PMR μπορεί, σε κάποιες ακραίες περιπτώσεις, να περιοριστεί ακόμη και σε μερικές δεκάδες μέτρα. Σύντομα θα παρατηρήσετε ότι το σύστημα PMR λειτουργεί καλύτερα, όταν υπάρχει ο ελάχιστος αριθμός εμποδίων ανάμεσα στους χρήστες.

8 Περιεχόμενο συσκευασίας

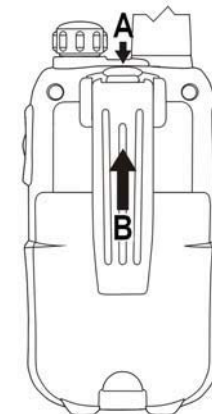
- 2 x Twintalker 9500
- 2 επιτραπέζιος φορτιστής

- 2 τροφοδοτικό
- 8 μπαταρίες AAA NiMH
- Οδηγός χρήστη
- Κάρτα με διεύθυνση της τεχνικής υποστήριξης και ανοιχτή γραμμή επικοινωνίας (Hotline)

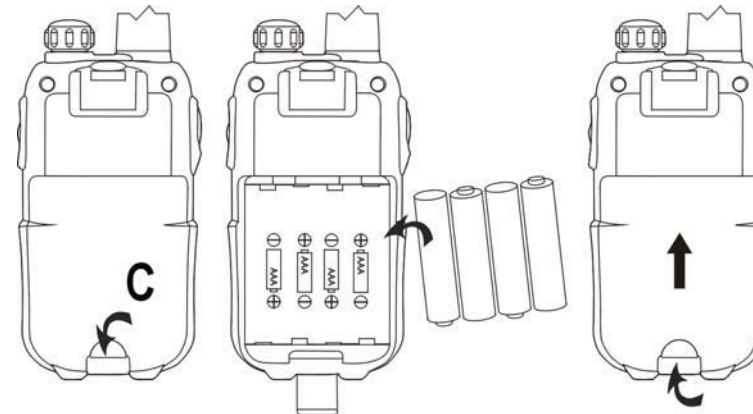
9 Ξεκινώντας

9.1 Τοποθέτηση/αφαίρεση του κλιπ ζώνης

1. Για να αφαιρέσετε το κλιπ από τη μονάδα, σπρώξτε το κλιπ ζώνης (B) προς την κεραία, καθώς πιέζετε την ασφάλεια του κλιπ (A).
2. Κατά την επανατοποθέτηση του κλιπ ζώνης, θα ακούσετε ένα κλικ που θα υποδεικνύει ότι το κλιπ ζώνης έχει "κουμπώσει" στη θέση του



9.2 Τοποθέτηση μπαταριών



1. Αφαιρέστε το κλιπ ζώνης (βλ. κεφάλαιο “9.1 Τοποθέτηση/αφαίρεση του κλιπ ζώνης”)
3. Ανασηκώστε τη θύρα μπαταριών πιέζοντας ελαφρά το κλιπ θύρας (C) χρησιμοποιώντας τις άκρες των δακτύλων.
4. Τοποθετήστε τις μπαταρίες NiMH. Βεβαιωθείτε ότι η πολικότητα των μπαταριών NiMH είναι σωστή.
5. Κλείστε τη θύρα μπαταριών.
6. Επανατοποθετήστε το κλιπ ζώνης

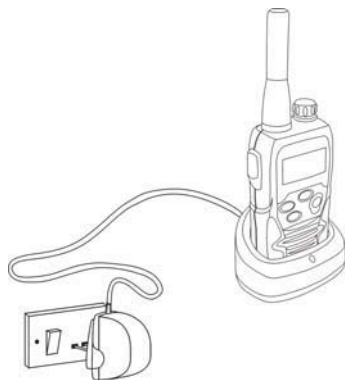
10 Φόρτιση των μπαταριών

Υπάρχουν δύο μέθοδοι φόρτισης της μπαταρίας των PMR:

10.1 Χρήση του επιτραπέζιου φορτιστή

Ο επιτραπέζιος φορτιστής παρέχει τη δυνατότητα εύκολης φόρτισης.

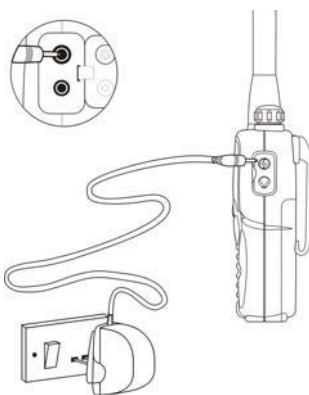
1. Τοποθετήστε τον επιτραπέζιο φορτιστή σε επίπεδη επιφάνεια.
7. Συνδέστε το ένα άκρο του παρεχόμενου μετασχηματιστή σε μια εύκολα προσπελάσιμη ηλεκτρική πρίζα και το άλλο άκρο στην υποδοχή στο πίσω μέρος του επιτραπέζιου φορτιστή (28). (Ανατρέξτε στο διπλωμένο εξώφυλλο - εικόνα 3)
8. Τοποθετήστε τον πομποδέκτη στο φορτιστή όπως υποδεικνύεται.
9. Η ενδεικτική λυχνία φόρτισης LED (29) θα ανάψει εάν η συσκευή έχει τοποθετηθεί σωστά και φορτίζεται. (Ανατρέξτε στο διπλωμένο εξώφυλλο - εικόνα 3)



10.2 Σύνδεση του τροφοδοτικού απευθείας στο PMR

1. Συνδέστε την υποδοχή του τροφοδοτικού απευθείας στη σύνδεση του φορτιστή (3) του PMR.

Θα χρειαστούν περίπου 8 με 10 ώρες για μια πλήρη φόρτιση των μπαταριών.



Μην πιέζετε το κουμπί PTT - (12) των PMR κατά τη διάρκεια της φόρτισης!



Μην βραχυκυκλώνετε και μην απορρίπτετε τις μπαταρίες στη φωτιά. Αφαιρέστε τις μπαταρίες αν η συσκευή δεν πρόκειται να χρησιμοποιηθεί για μεγάλο χρονικό διάστημα. Μην φορτίζετε μη επαναφορτιζόμενες μπαταρίες, όπως αλκαλικές μπαταρίες, στον φορτιστή. Ενδέχεται να προκληθεί βλάβη στα PMR και στη μονάδα φόρτισης.

11 Περιγραφή

Ανατρέξτε στο διπλωμένο εξώφυλλο - εικόνα 1

1. Κουμπί ON/OFF έντασης
10. Οθόνη υγρών κρυστάλλων (LCD)
11. Υποδοχή φορτιστή
12. Σύνδεση ακουστικών
13. TX LED (ενεργοποιημένη όταν εκπέμπει)
14. Κουμπί κλήσης
15. Πλήκτρο μενού
 - Εισέλθετε στο μενού ρυθμίσεων
16. Μικρόφωνο
17. Μεγάφωνο
18. Πλήκτρο κάτω
 - Επιλέγει την προηγούμενη τιμή στο μενού
19. Πλήκτρο επάνω
 - Επιλέγει την επόμενη τιμή στο μενού
20. Κουμπί PTT
21. Κεραία

Ανατρέξτε στο διπλωμένο εξώφυλλο - εικόνα 3

28. Υποδοχή φορτιστή
22. Ενδεικτική λυχνία LED φόρτισης (ενεργοποιημένη όταν εκπέμπει)

12 Πληροφορίες οθόνης LCD

Ανατρέξτε στο διπλωμένο εξώφυλλο - εικόνα 2

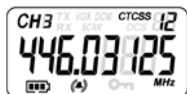
14. Ένδειξη CTCSS
23. Ένδειξη DCS
24. Τιμή CTCSS/DCS
25. Ένδειξη συχνότητας σε MHz
26. Ένδειξη MHz
27. Εικονίδιο κλειδώματος πληκτρολογίου
28. Ένδειξη είδους λήψης κλήσης
29. Ένδειξη επιπέδου φόρτισης μπαταρίας
30. Αριθμός καναλιού
31. Εικονίδιο RX
 - Εμφανίζεται κατά τη λήψη
32. Εικονίδιο TX
 - Εμφανίζεται κατά την εκπομπή
33. Ένδειξη VOX
34. Ένδειξη σάρωσης
35. Ένδειξη λειτουργίας δύο καναλιών (DCM)

13 Χρήση του Twintalker 9500



Οι εικόνες στις παρακάτω σελίδες εμφανίζουν μόνο τα εικονίδια ή τις πληροφορίες των λειτουργιών που επεξηγούνται στο κείμενο.

13.1 Ενεργοποίηση/ απενεργοποίηση του πομποδέκτη PMR



- Στρέψτε το “Κουμπί On-Off/έντασης” ① δεξιόστροφα. Ένα χαρακτηριστικό κλικ θα υποδείξει ότι ο πομποδέκτης PMR είναι ενεργοποιημένος.
- Στρέψτε το “Κουμπί On-Off/έντασης” ① πλήρως αριστερόστροφα. Ένα χαρακτηριστικό κλικ θα υποδείξει ότι ο πομποδέκτης PMR έχει τεθεί εκτός λειτουργίας.

13.2 Ένδειξη επιπέδου φόρτισης μπαταρίας/χαμηλής μπαταρίας

Το επίπεδο φόρτισης της μπαταρίας υποδεικνύεται από τον αριθμό των τετραγώνων εντός του εικονιδίου της μπαταρίας στην οθόνη LCD.



- Πλήρης μπαταρία
- Μπαταρία φορτισμένη κατά το 2/3
- Μπαταρία φορτισμένη κατά το 1/3
- Άδεια μπαταρία

Όταν το επίπεδο φόρτισης της μπαταρίας είναι χαμηλό, το εικονίδιο της μπαταρίας αναβοσβήνει και ακούγεται ένας χαρακτηριστικός ήχος που υποδεικνύει ότι οι μπαταρίες πρέπει να αντικατασταθούν ή να επαναφορτιστούν.

13.3 Ρύθμιση έντασης ηχείου

- Στρέψτε το “Κουμπί On-Off/έντασης” ① δεξιόστροφα για να αυξήσετε την ένταση του ηχείου.
- Στρέψτε αριστερόστροφα για να μειώσετε την ένταση.

13.4 Λήψη σήματος

Η μονάδα βρίσκεται συνεχώς σε λειτουργία λήψης όταν είναι ενεργοποιημένη και δεν εκπέμπει.



Προκειμένου άλλα άτομα να μπορούν να λάβουν την εκπομπή σας, πρέπει να έχουν ρυθμίσει τις συσκευές τους στο ίδιο κανάλι και στον ίδιο κωδικό CTCSS ή DCS. (Βλ. κεφάλαιο “13.6 Αλλαγή καναλιών” και “13.7 CTCSS (Continuous Tone Coded Squelch System) / DCS (Digital Coded Squelch)”.
Μπορεί να χρησιμοποιηθεί είτε ο κωδικός CTCSS ή DCS, αλλά ποτέ και οι δύο ταυτόχρονα.

13.5 Εκπομπή σήματος



- Για εκπομπή, πατήστε και κρατήστε πατημένο το κουμπί PTT - ⑫. Στην οθόνη εμφανίζεται το σύμβολο TX.
- Κρατήστε τη μονάδα σε κατακόρυφη θέση, με το μικρόφωνο σε απόσταση 10 εκ. από το στόμα, και μιλήστε στο μικρόφωνο.
- Αφήστε το κουμπί PTT - ⑫ όταν θέλετε να διακόψετε την εκπομπή.



Για να ελέγξετε τη δραστηριότητα του καναλιού χρησιμοποιήστε τη λειτουργία παρακολούθησης (Βλ. κεφάλαιο “13.8 Παρακολούθηση”).

13.6 Αλλαγή καναλιών



- Πατήστε το κουμπί ⇌ ⑦ μία φορά. Τότε, ο αριθμός του τρέχοντος καναλιού θα αρχίσει να αναβοσβήνει στην οθόνη.
- Πατήστε το κουμπί ▲ ⑪ ή το κουμπί ▼ ⑩ για να αλλάξετε το κανάλι.
- Πατήστε το κουμπί PTT ⑫ για να επιβεβαιώσετε και να επιστρέψετε σε λειτουργία αναμονής.



Εάν κατά τη διάρκεια της ρύθμισης δεν πιάσετε κανένα πλήκτρο για διάστημα 5 δευτερολέπτων, τότε η μονάδα θα επανέλθει σε κατάσταση αναμονής.

13.7 CTCSS (Continuous Tone Coded Squelch System) / DCS (Digital Coded Squelch)

Ο πομποδέκτης PMR, για τη χρήση του οποίου δεν απαιτείται ειδική άδεια, λειτουργεί στη ζώνη συχνοτήτων 446 MHz, όπως το Twintalker 9500 PMR, και διαθέτει 8 διαθέσιμα κανάλια πομποδέκτη. Εάν υπάρχουν πολλοί χρήστες PMR στην περιοχή σας, υπάρχει περίπτωση κάποιοι από αυτούς να λειτουργούν στο ίδιο κανάλι πομποδέκτη.

Για να αποτρέψετε τη λήψη σήματος από άλλους χρήστες, υπάρχουν ενσωματωμένα υποκανάλια.

Η επικοινωνία μεταξύ δύο πομποδεκτών PMR θα είναι εφικτή μόνο όταν λειτουργούν στο ίδιο κανάλι πομποδέκτη και όταν έχει επιλεγεί ακριβώς το ίδιο υποκανάλι.

Υπάρχουν δύο είδη υποκαναλιών:

- Continuous Tone Coded Squelch System (CTCSS)
- Digital Coded Squelch (DCS)

Όταν χρησιμοποιείτε το CTCSS, θα μεταδοθεί ένας τόνος χαμηλής συχνότητας (μεταξύ 67 και 250 Hz) μαζί με το φωνητικό σήμα. Υπάρχουν διαθέσιμοι 38 διαφορετικοί τόνοι. Μπορείτε να επιλέξετε έναν από αυτούς τους 38 διαθέσιμους τόνους. Χάρη στο φίλτράρισμα, οι τόνοι αυτοί δε θα ακούγονται, συνεπώς δε θα επηρεάζουν την επικοινωνία.

Το DCS είναι παρόμοιο με το CTCSS, εντούτοις αντί για την αποστολή συνεχούς τόνου μιας επιλεγμένης συχνότητας, στο σήμα πομποδέκτη προστίθεται μια ψηφιακή μετάδοση δεδομένων. Αυτός ο Ψηφιακός κωδικός μεταδίδεται σε πραγματικά χαμηλό ρυθμό, περίπου 134 bit ανά δευτερόλεπτο (ο κωδικός έχει μήκος 23 bit). Μόνο τα PMR τελευταίας γενιάς υποστηρίζουν το

DCS. Υπάρχουν διαθέσιμοι 83 κωδικοί DCS, οι οποίοι μπορούν να χρησιμοποιηθούν. Εφόσον τα παλαιότερα μοντέλα υποστηρίζουν μόνο CTCSS, είναι προτιμότερο να χρησιμοποιήσετε DCS για να αποτρέψετε άλλους χρήστες από το να ακούσουν τις συνομιλίες σας μέσω PMR.

13.7.1 CTCSS



- Πατήστε το κουμπί \rightarrow - ⑦ δύο φορές: **Η ένδειξη "CTCSS"** και ο τρέχων κωδικός CTCSS αναβοσβήνουν στην οθόνη.
- Πατήστε το κουμπί \blacktriangle ⑪ ή το κουμπί \blacktriangledown ⑩ για αλλαγή σε άλλο κωδικό.
- Πατήστε το κουμπί PTT ⑫ για να επιβεβαιώσετε και να επιστρέψετε σε λειτουργία αναμονής.

13.7.2 DCS



- Πατήστε το κουμπί \rightarrow - ⑦ τρεις φορές: **Η ένδειξη "DCS"** και ο τρέχων κωδικός CTCSS αναβοσβήνουν στην οθόνη.
- Πατήστε το κουμπί \blacktriangle ⑪ ή το κουμπί \blacktriangledown ⑩ για αλλαγή σε άλλο κωδικό.
- Πατήστε το κουμπί PTT ⑫ για να επιβεβαιώσετε και να επιστρέψετε σε λειτουργία αναμονής.



Για να ενεργοποιήσετε το CTCSS ή το DCS, επιλέξτε τον κωδικό "00" για το CTCSS ή για το DCS στο μενού. Όταν επιβεβαιωθεί η καταχώριση, θα εμφανιστεί η ένδειξη "OF".

13.8 Παρακολούθηση

Μπορείτε να χρησιμοποιήσετε τη λειτουργία παρακολούθησης για να ελέγξετε για πιο ασθενή σήματα στο τρέχον κανάλι.

- Πατήστε ταυτόχρονα το κουμπί \rightarrow ⑦ και το κουμπί \blacktriangledown ⑩ για να ενεργοποιήσετε την παρακολούθηση καναλιού.
- Για να διακόψετε την παρακολούθηση καναλιού, πατήστε το κουμπί \rightarrow - ⑦ .



Κατά την παρακολούθηση καναλιού, το κύκλωμα δέκτη στο PMR δε θα μπορεί να ακούσει τους κωδικούς CTCSS ή DCS.

13.9 Επιλογή VOX

Το PMR υποστηρίζει τη λειτουργία εκπομπής ενεργοποίησης λόγω φωνής (VOX). Στη λειτουργία VOX, ο πομποδέκτης εκπέμπει ένα σήμα όταν ενεργοποιηθεί από τη φωνή σας ή από άλλον ήχο στον περιβάλλοντα χώρο. Η λειτουργία VOX δεν συνιστάται, αν πρόκειται να χρησιμοποιήσετε τον πομποδέκτη σε περιβάλλον με πολύ θόρυβο ή πολύ αέρα.



Η λειτουργία VOX απενεργοποιείται όταν πατήσετε το κουμπί PTT - ⑫ .



- Πατήστε το κουμπί \rightarrow - ⑦ τέσσερις φορές, η τρέχουσα ρύθμιση VOX αναβοσβήνει στην οθόνη και εμφανίζεται το εικονίδιο VOX.
- Πατήστε το κουμπί \blacktriangle - ⑪ για να ορίσετε το επίπεδο ευαισθησίας VOX μεταξύ 1 και 3 (το επίπεδο 3 είναι το πλέον ευαίσθητο).
- Για να απενεργοποιήσετε τη λειτουργία VOX, πατήστε το κουμπί \blacktriangledown ⑩ μέχρι να εμφανιστεί η ένδειξη 'OFF'.
- Πατήστε το κουμπί PTT ⑫ για να επιβεβαιώσετε και να επιστρέψετε σε λειτουργία αναμονής.

13.10 Σάρωση καναλιών

Η σάρωση καναλιών εκτελεί αναζήτηση για ενεργά σήματα κυκλικά από το κανάλι 1 έως 8. Αφού εντοπίσετε ένα ενεργό κανάλι, έχετε την επιλογή αναζήτησης για τον κωδικό CTCSS ή τον κωδικό DCS, ο οποίος ορίζεται από τον χρήστη που εκπέμπει στο κανάλι.

13.10.1 Σάρωση για ενεργό κανάλι πομποδέκτη.



- Πατήστε το κουμπί \rightarrow - ⑦ πέντε φορές: **Η ένδειξη "SCAN"** και το τρέχον κανάλι αναβοσβήνουν στην οθόνη.
- Πατήστε το κουμπί \blacktriangle - ⑪ ή το κουμπί \blacktriangledown - ⑩ για να εκκινήσετε τη λειτουργία σάρωσης.

Αφού εντοπίσετε ένα ενεργό κανάλι, η σάρωση θα σταματήσει και μπορείτε να ακούσετε την εκπομπή.

Όταν σταματήσει η εκπομπή στο κανάλι που έχετε εντοπίσει, η σάρωση θα συνεχιστεί αυτόματα από εκεί που είχε σταματήσει.



Εάν πατήσετε το κουμπί PTT ⑫ κατά τη διάρκεια ακρόασης ενός καναλιού που έχετε εντοπίσει, το PMR θα επιστρέψει στη λειτουργία αναμονής στο κανάλι που έχετε εντοπίσει.

13.10.2 Σάρωση για κωδικό CTCSS

Όταν εντοπιστεί ένα ενεργό κανάλι, πατήστε το κουμπί PTT ⑫ για να επιλέξετε το ενεργό κανάλι που έχετε εντοπίσει. Τώρα έχετε την επιλογή αναζήτησης για τον κωδικό CTCSS/DCS που χρησιμοποιείται από τον χρήστη.



- Πατήστε το κουμπί \rightarrow - ⑦ έξι φορές: **Οι ενδείξεις "SCAN"** και **"CTCSS 00"** αναβοσβήνουν στην οθόνη για το επιλεγμένο κανάλι πομποδέκτη.
- Πατήστε το κουμπί \blacktriangle - ⑪ ή το κουμπί \blacktriangledown - ⑩ για έναρξη της σάρωσης CTCSS.

Μόλις υπάρξει εκπομπή στο κανάλι, ανιχνεύεται και εμφανίζεται ο κωδικός CTCSS (εάν χρησιμοποιείται).



- Εάν πατήσετε το κουμπί PTT ⑫ κατά τη διάρκεια ακρόασης ενός κωδικού CTCSS που έχετε εντοπίσει, το PMR θα επιστρέψει στη λειτουργία αναμονής στο κανάλι με τον κωδικό CTCSS.
- Εάν δεν εντοπιστεί κωδικός CTCSS, υπάρχει περίπτωση επιλογής του DCS από τον χρήστη. Στην περίπτωση αυτή μπορείτε να πραγματοποιήσετε σάρωση για τον κωδικό DCS. (ενότητα 13.10.3)

13.10.3 Σάρωση για κωδικό DCS



- Πατήστε το κουμπί ↗ - ⑦ επτά φορές: Οι ενδείξεις "SCAN" και "CTCSS 00" αναβοσβήνουν στην οθόνη για το επιλεγμένο κανάλι πομποδέκτη.
- Πατήστε το κουμπί ▲ - ⑪ ή το κουμπί ▼ - ⑩ για έναρξη της σάρωσης DCS.

Μόλις υπάρξει εκπομπή στο κανάλι, ανιχνεύεται και εμφανίζεται ο κωδικός DCS (εάν χρησιμοποιείται).



Εάν πατήσετε το κουμπί PTT ⑫ κατά τη διάρκεια ακρόασης ενός κωδικού DCS που έχετε εντοπίσει, το PMR θα επιστρέψει στη λειτουργία αναμονής στο κανάλι με τον κωδικό DCS.

13.11 Ήχοι κλήσης

Ένας ήχος κλήσης ειδοποιεί τους άλλους ότι θέλετε να μιλήσετε.

13.11.1 Ρύθμιση του ήχου κλήσης

Το Twintalker 9500 διαθέτει 15 ήχους κλήσης.



- Πατήστε το κουμπί ↗ - ⑦ οκτώ φορές, εμφανίζεται η ένδειξη "C" και αναβοσβήνει ο τρέχων ήχος κλήσης.
- Για να αλλάξετε τον ήχο κλήσης, πατήστε το πλήκτρο ▲ - ⑪ ή ▼ - ⑩.
- Πατήστε το κουμπί PTT - ⑫ για να επιβεβαιώσετε και να επιστρέψετε σε λειτουργία αναμονής.

13.11.2 Εκπομπή ενός ήχου κλήσης

Πατήστε το στιγμιαίο κουμπί ⑥. Ο ήχος κλήσης εκπέμπεται στο κανάλι που έχει ρυθμιστεί.

13.11.3 Είδος λήψης ήχου κλήσης

- Πατήστε το κουμπί ↗ - ⑦ εννέα φορές.
- Πατήστε το κουμπί ▲ - ⑪ ή ▼ - ⑩ για να επιλέξετε το είδος λήψης ήχου κλήσης.
 1. Μόνο ήχος 📣
 2. Ήχος + δόνηση 📣📣
 3. Μόνο δόνηση 📣

Πατήστε το κουμπί PTT - ⑫ για να επιβεβαιώσετε και να επιστρέψετε σε λειτουργία αναμονής.

13.12 Ενεργοποίηση/Απενεργοποίηση του Roger Beep

Αφού αφήσετε το κουμπί PTT - ⑫, η μονάδα εκπέμπει το σήμα "roger beep" (τέλος επικοινωνίας), το οποίο επιβεβαιώνει ότι σταματήσατε να μιλάτε.



Για να ρυθμίσετε τη λειτουργία Roger Beep (σήμα ετοιμότητας).

- Πατήστε το κουμπί ↗ - ⑦ δέκα φορές. Εμφανίζεται η ένδειξη 'rO'.
- Πατήστε το κουμπί ▲ ⑪ για να ενεργοποιήσετε (ON) ή το κουμπί ▼ ⑩ για να απενεργοποιήσετε το σήμα "Roger-Beep". (OFF).
- Πατήστε το κουμπί PTT - ⑫ για να επιβεβαιώσετε την επιλογή σας και να επιστρέψετε στη λειτουργία αναμονής.

13.13 Ενεργοποίηση/Απενεργοποίηση ήχου πλήκτρων

Όταν πατάτε ένα πλήκτρο, η μονάδα εκπέμπει έναν σύντομο χαρακτηριστικό ήχο.



Για να ρυθμίσετε τον ήχο πλήκτρων.

- Πατήστε το κουμπί ↗ - ⑦ έντεκα φορές. Εμφανίζεται η ένδειξη 'tO'.
- Πατήστε το κουμπί ▲ ⑪ για να ενεργοποιήσετε (ON) ή ▼ ⑩ το κουμπί ⑩ για να απενεργοποιήσετε τον ήχο των πλήκτρων (OFF).
- Πατήστε το κουμπί PTT - ⑫ για να επιβεβαιώσετε την επιλογή σας και να επιστρέψετε στη λειτουργία αναμονής.

13.14 Λειτουργία παρακολούθησης δύο καναλιών

Στη λειτουργία αναμονής, το PMR ρυθμίζεται σε ένα κανάλι που έχει ρυθμιστεί με κωδικό CTCSS/DCS. Το PMR λαμβάνει μόνο σήματα που εκπέμπονται σε αυτό το κανάλι με τον κωδικό CTCSS/DCS.

Η λειτουργία παρακολούθησης δύο καναλιών (DCM) σας επιτρέπει να παρακολουθείτε ένα δεύτερο κανάλι με κωδικό CTCSS/DCS.

- Πατήστε το κουμπί ↗ - ⑦ δώδεκα φορές, η ένδειξη "DCM OFF" αναβοσβήνει στην οθόνη.
- Πατήστε το κουμπί ▲ - ⑪ ή το κουμπί ▼ - ⑩ για να αλλάξετε το κανάλι.
- Πατήστε το κουμπί ↗ - ⑦ για να επιβεβαιώσετε την επιλογή καναλιού και να μεταβείτε στην επιλογή CTCSS. (Πατήστε ξανά το κουμπί ↗ - ⑦ για να μεταβείτε στην επιλογή DCS)
- Πατήστε το κουμπί ▲ - ⑪ ή το κουμπί ▼ - ⑩ για να αλλάξετε τον κωδικό CTCSS ή DCS.
- Πατήστε το κουμπί PTT - ⑫ για να επιβεβαιώσετε και να επιστρέψετε σε λειτουργία αναμονής.
- Για να απενεργοποιήσετε τη λειτουργία, επιλέξτε "OFF" κατά την επιλογή του καναλιού DCM.



Όταν έχει ενεργοποιηθεί η λειτουργία παρακολούθησης δύο καναλιών, το PMR αλλάζει διαδοχικά ανάμεσα στο κανάλι αναμονής με τον κωδικό + CTCSS/DCS και στα Δύο κανάλια με τον κωδικό + CTCSS/DCS.

13.15 Κλειδωμα κουμπιών



- Για να ενεργοποιήσετε τη λειτουργία κλειδώματος κουμπιών, πατήστε και κρατήστε πατημένο το κουμπί - για τρία δευτερόλεπτα. Το εικονίδιο κλειδώματος πλήκτρων εμφανίζεται στην οθόνη LCD.
- Πατήστε ξανά και κρατήστε πατημένο το κουμπί - ξανά για τρία δευτερόλεπτα, για να απενεργοποιήσετε τη λειτουργία κλειδώματος κουμπιών



Το κουμπί PTT - , το κουμπί - και το κουμπί - θα λειτουργούν ακόμα όταν ενεργοποιηθεί η λειτουργία κλειδώματος πλήκτρων.

13.16 Οπίσθιος φωτισμός οθόνης

Για να ενεργοποιήσετε τον οπίσθιο φωτισμό της οθόνης LCD, πατήστε οποιοδήποτε πλήκτρο εκτός από τα PTT και .

Ο οπίσθιος φωτισμός της οθόνης LCD ανάβει για 6 δευτερόλεπτα το μέγιστο.

14 Σύνδεση ακουστικού

Η υποδοχή βρίσκεται στην πάνω πλευρά της μονάδας .

Εισάγετε το βύσμα του ακουστικού στην υποδοχή (βύσμα 2,5mm).

Το μικρό κουμπί του ακουστικού εκτελεί την ίδια ακριβώς λειτουργία με το κουμπί PTT - της μονάδας

Όταν χρησιμοποιείτε το κουμπί PTT - από το ακουστικό, πρέπει να χρησιμοποιείτε επίσης το μικρόφωνο που βρίσκεται στο ακουστικό για τη συνομιλία.



Μην συνδέετε άλλα ακουστικά. Υπάρχει κίνδυνος να προκληθεί βλάβη στη συσκευή σας.

15 Επίλυση προβλημάτων

Ο εξοπλισμός δεν τροφοδοτείται με ρεύμα	Καθαρίστε τους πόλους της μπαταρίας με μαλακό ύφασμα. Αντικαταστήστε τις μπαταρίες.
Δεν πραγματοποιείται εκπομπή	Βεβαιωθείτε ότι πατάτε καλά το κουμπί PTT προτού αρχίσετε να μιλάτε. Ελέγξτε τη δραστηριότητα του καναλιού και, εάν το τρέχον κανάλι χρησιμοποιείται, αλλάξτε κανάλι.
Καμία λήψη	Ελέγξτε την ένταση του ηχείου. Βεβαιωθείτε ότι βρίσκεστε εντός εμβέλειας λήψης και, εφόσον χρειάζεται, μετακινηθείτε από τη θέση σας.
Περιορισμένη εμβέλεια και παρεμβολές κατά την εκπομπή	Η εμβέλεια ομιλίας εξαρτάται από το φυσικό ανάγλυφο του εδάφους στην περιοχή. Τυχόν χαλύβδινες κατασκευές, κτίρια από σκυρόδεμα ή η χρήση εντός οχημάτων περιορίζουν την εμβέλεια. Προσπαθείτε να αποφεύγετε όσο το δυνατόν περισσότερα εμπόδια και να επικοινωνείτε σε καθαρό οπτικό πεδίο. Αλλάξτε θέση.
Παρεμβολές	Ο δέκτης και ο πομπός βρίσκονται σε πολύ μικρή απόσταση μεταξύ τους. Η ελάχιστη επιτρεπόμενη απόσταση μεταξύ δύο μονάδων είναι 1,5m.

16 Τεχνικές προδιαγραφές

Κανάλια	8
Υποκωδικός	CTCSS 38 / DCS 83
Συχνότητα	446.00625MHz - 446.09375 MHz
Εμβέλεια	Έως 10 Km (σε ανοιχτό πεδίο)
Μπαταρία	Επαναφορτιζόμενη Li-ion 3.7V
Ισχύς εκπομπής	=< 500mW ERP
Τύπος διαμόρφωσης	FM - F3E
Απόσταση καναλιών	12,5 kHz
Προσαρμογέας φορτιστή Duo	Είσοδος: 230V AC / 50Hz - Έξοδος: 7,5 V DC / 750mA

Channel Frequency Chart:		CTCSS Code Chart							
Channel	Frequency (MHz)	Code	Frequency (Hz)	Code	Freq. (Hz)	Code	Freq. (Hz)	Code	Freq. (Hz)
1	446,00625	0	Disabled	10	94,8	20	131,8	30	186,2
2	446,01875	1	67,0	11	97,4	21	136,5	31	192,8
3	446,03125	2	71,9	12	100,0	22	141,3	32	203,5
4	446,04375	3	74,4	13	103,5	23	146,2	33	210,7
5	446,05625	4	77,0	14	107,2	24	151,4	34	218,1
6	446,06875	5	79,7	15	110,9	25	156,7	35	225,7
7	446,08125	6	82,5	16	114,8	26	162,2	36	233,6
8	446,09375	7	85,4	17	118,8	27	167,9	37	241,8
		8	88,5	18	123,0	28	173,8	38	250,3
		9	91,5	19	127,3	29	179,9		

DCS Code Chart							
No	DCS code	No	DCS code	No	DCS code	No	DCS code
0	Disabled	21	134	42	311	63	516
1	23	22	143	43	315	64	532
2	25	23	152	44	331	65	546
3	26	24	155	45	343	66	565
4	31	25	156	46	346	67	606
5	32	26	162	47	351	68	612
6	43	27	165	48	364	69	624
7	47	28	172	49	365	70	627
8	51	29	174	50	371	71	631
9	54	30	205	51	411	72	632
10	65	31	223	52	412	73	654
11	71	32	226	53	413	74	662
12	72	33	243	54	423	75	664
13	73	34	244	55	431	76	703
14	74	35	245	56	432	77	712
15	114	36	251	57	445	78	723
16	115	37	261	58	464	79	731
17	116	38	263	59	465	80	732
18	125	39	265	60	466	81	734
19	131	40	271	61	503	82	743
20	132	41	306	62	506	83	754

17 Εγγύηση Torcom

17.1 Περίοδος εγγύησης

Οι συσκευές Torcom έχουν 24μηνιαία διάρκεια εγγύησης. Η περίοδος της εγγύησης αρχίζει την ημέρα αγοράς της συσκευής. Δεν παρέχεται εγγύηση για τις τυπικές ή επαναφορτιζόμενες μπαταρίες (τύπου AA/AAA).

Αναλώσιμα ή ελαττώματα που προκαλούν αμελητέες επιπτώσεις στη λειτουργία ή τη ναξία της συσκευής, δεν καλύπτονται.

Η εγγύηση πρέπει να αποδεικνύεται παρουσιάζοντας την αυθεντική απόδειξη αγοράς ή αντίγραφο αυτής, στην οποία να φαίνονται η ημερομηνία αγοράς και το μοντέλο της συσκευής.

17.2 Χειρισμός εγγύησης

Η ελαττωματική συσκευή πρέπει να επιστρέφεται σε εξουσιοδοτημένο κέντρο σέρβις της Torcom μαζί με την έγκυρη απόδειξη αγοράς και συμπληρωμένη κάρτα σέρβις.

Εάν στη μονάδα εμφανιστεί κάποιο σφάλμα κατά τη διάρκεια της περιόδου εγγύησης, το κέντρο σέρβις ή η Torcom θα επισκευάσουν δωρεάν όλες τις βλάβες που οφείλονται σε ελαττωματικά υλικά ή κατασκευαστικά σφάλματα, προβαίνοντας είτε σε επισκευή είτε σε αλλαγή των ελαττωματικών μονάδων ή μερών των ελαττωματικών μονάδων. Σε περίπτωση αντικατάστασης, ενδέχεται να μην διατίθεται το χρώμα και το μοντέλο της αρχικής μονάδας που αγοράσατε.

Η ημερομηνία της αρχικής αγοράς θα καθορίσει την έναρξη της περιόδου εγγύησης. Η περίοδος εγγύησης δεν παρατείνεται εάν η μονάδα αντικατασταθεί ή επισκευαστεί από την Torcom ή από εξουσιοδοτημένο κέντρο σέρβις.

17.3 Εξαιρέσεις εγγύησης

Βλάβες ή ελαττώματα που προέρχονται από λανθασμένους χειρισμούς καθώς και ζημιές που οφείλονται σε μη γνήσια εξαρτήματα ή αξεσουάρ, δεν καλύπτονται από την εγγύηση.

Η εγγύηση δεν καλύπτει ζημιές που οφείλονται σε εξωτερικούς παράγοντες, όπως κεραυνοί, νερό και φωτιά ή ζημιές που προήλθαν από τη μεταφορά.

Η εγγύηση δεν ισχύει σε περίπτωση που ο αριθμός σειράς στη μονάδα έχει αλλαχθεί, αφαιρεθεί ή καταστεί άκυρος (μη αναγνώσιμος).

Οποιοσδήποτε αξιώσεις εγγύησης θεωρούνται μη έγκυρες σε περίπτωση που η μονάδα έχει επισκευαστεί, αλλοιωθεί ή τροποποιηθεί από τον αγοραστή.

1 Wstęp

Dziękujemy za zakup urządzenia TwinTalker 7100 Sports Pack. To zasilany niskim napięciem radiotelefon długiego zasięgu do 10 km. Którego koszty eksploatacyjne ograniczają się do doładowania baterii. Twintalker działa na 8 kanałach

2 Przeznaczenie

Można go używać w celach rekreacyjnych. Na przykład: w celu utrzymywania łączności podczas podróży 2 lub więcej samochodami, podczas przejażdżek rowerowych, jazdy na nartach itd. Można je stosować np. do utrzymywania łączności z dziećmi, gdy bawią się na zewnątrz, itd.

3 Oznaczenie CE

Symbol CE na urządzeniu, w instrukcji użytkownika i na opakowaniu oznacza, że urządzenie odpowiada istotnym wymaganiom dyrektywy R&TTE 1995/5/WE.

4 Instrukcje bezpieczeństwa

4.1 Informacje ogólne

Należy dokładnie zapoznać się z poniższymi informacjami dotyczącymi bezpieczeństwa oraz prawidłowego użytkowania. Ponadto należy zapoznać się z wszystkimi funkcjami urządzenia. Instrukcję należy przechowywać w bezpiecznym miejscu do wglądu.

4.2 Obrażenia wynikające z poparzeń

- Jeżeli osłona anteny jest uszkodzona, nie należy jej dotykać, ponieważ kontakt anteny ze skórą może spowodować niegroźne oparzenia podczas transmisji.
- Baterie mogą spowodować uszkodzenia mienia (przypalenie), jeżeli przedmioty wykonane z materiałów przewodzących, np. biżuteria, kluczyki, łańcuszki, itd., dotkną niez izolowanych styków. Materiały takie mogą zamknąć obwód, powodując zwarcie, a w konsekwencji mogą się znacznie nagrzać. Należy zachować ostrożność podczas obchodzenia się z naładowanymi bateriami, w szczególności chowając je do kieszeni, torebki lub w inne miejsce, gdzie znajdują się metalowe obiekty.

4.3 Obrażenia

- Nie umieszczaj urządzenia nad poduszką powietrzną w samochodzie lub strefą wybuchu poduszki powietrznej. Poduszki powietrzne wybuchają z dużą siłą. Jeżeli radiotelefon zostanie umieszczony w strefie wybuchu poduszki powietrznej, a ta zostanie uaktywniona, może zostać wyrzucony z wielką siłą, powodując poważne obrażenia u pasażerów pojazdu.
- Urządzenie należy trzymać w odległości przynajmniej 15 centymetrów od rozrusznika serca.
- Radiotelefon należy natychmiast wyłączyć, jeśli zakłóca pracę sprzętu medycznego.

4.4 Zagrożenie wybuchem

- Nie wymieniaj baterii w środowisku zagrażającym wybuchem. Podczas instalacji lub wymiany baterii może wystąpić iskrzenie na stykach, co zagraża wybuchem.
- Wyłącz radiotelefon, gdy znajdziesz się w środowisku zagrażającym wybuchem. W takich miejscach iskrzenie może spowodować wybuch lub pożar, co grozi obrażeniami, a nawet śmiercią.
- Nigdy nie wrzucaj baterii do ognia, ponieważ mogą wybuchnąć.



Miejsca, gdzie występuje zagrożenie wybuchem są zazwyczaj - choć nie zawsze - oznaczone. Są to strefy napełniania paliwem, np. dolne pokłady statków; obiekty, gdzie są przechowywane lub przelewane paliwa i chemikalia; strefy, gdzie w atmosferze obecne są chemikalia lub cząsteczki materiałów, takich jak ziarno, pył i opiłki metali, oraz wszelkie inne miejsca, gdzie zalecane jest wyłączenie silnika.

4.5 Ryzyko zatrucia

- Baterie należy przechowywać poza zasięgiem małych dzieci

4.6 Nota prawna

- W niektórych krajach korzystanie z radiotelefonu podczas jazdy jest zabronione. W takim wypadku, aby skorzystać z urządzenia konieczne jest zjechanie z trasy.
- Jeżeli personel samolotu nakaże wyłączenie urządzenia, należy się do tego dostosować. Korzystanie z urządzenia musi odbywać się zgodnie z przepisami dotyczącymi ruchu lotniczego lub poleceniami załogi samolotu.
- Wyłączaj urządzenie w miejscach, w których wywieszono są tabliczki zakazujące jego używania. W szpitalach i ośrodkach zdrowia może być stosowany sprzęt, który jest wrażliwy na fale radiowe.
- Wymiana lub modyfikacja anteny może mieć wpływ na parametry radiowe urządzenia i być niezgodna z przepisami CE. Anteny pochodzące z nieznanego źródła mogą również uszkodzić radio.

4.7 Uwagi

- Nie dotykaj anteny podczas transmisji; może to mieć negatywny wpływ na jakość przekazu.
- Jeżeli urządzenie nie będzie używane przez dłuższy czas, wyjmij z niego baterie.

5 Czyszczenie i konserwacja

- Urządzenie należy czyścić miękką szmatką zwilżoną wodą. Nie stosuj środków czyszczących ani rozpuszczalników; mogą uszkodzić obudowę i przedostać się do wnętrza, co trwale uszkodzi urządzenie.
- Styki baterii można czyścić bezwłóknistą szmatką.
- Jeżeli urządzenie ulegnie zawilgoceniu, natychmiast je wyłącz i wyjmij baterie. Osusz komorę baterii suchą szmatką w celu zminimalizowania uszkodzeń wynikających z zalania. Kłapkę komory baterii zostaw otwartą na noc lub do całkowitego wyschnięcia. Nie korzystaj z urządzenia, zanim całkowicie nie wyschnie.

6 Usuwanie urządzenia (środowisko)



Pod koniec okresu eksploatacji produktu, nie należy go wyrzucać razem ze zwykłymi odpadami domowymi, ale zanieść do punktu zbiórki zajmującego się recyklingiem sprzętu elektrycznego i elektronicznego. Wskazuje na to symbol umieszczony na produkcie, instrukcji obsługi i/lub opakowaniu.

Niektóre materiały wchodzące w skład niniejszego produktu można ponownie wykorzystać, jeżeli zostaną dostarczone do punktu zbiórki w celu recyklingu. Dzięki ponownemu wykorzystaniu niektórych części lub surowców ze zużytych produktów, przyczynisz się w istotny sposób do ochrony środowiska. Aby uzyskać informacje na temat lokalnych punktów zbiórki, należy zwrócić się do władz lokalnych.

7 Korzystanie z urządzenia PMR

Aby umożliwić komunikację między radiotelefonami, należy ustawić w nich ten sam kanał i kod CTCSS/DCS (patrz rozdział „13.7 CTCSS (Kodowany tonowo system ciągłego wyciszania szumów) DCS (Kodowany cyfrowo system wyciszania szumów)”) oraz umieścić je w zasięgu odbioru (do 10 km na otwartej przestrzeni). Ponieważ urządzenia korzystają z pasm częstotliwości (kanałów), wszystkie działające urządzenia współdzielą te kanały (w sumie 8). Z tego względu nie można zagwarantować prywatności rozmów. Każda osoba posiadająca urządzenie PMR nastawione na ten sam kanał będzie słyszeć Państwa rozmowę. Aby nawiązać komunikację (transmisja sygnału głosowego), należy wcisnąć przycisk PTT (12).

Po wciśnięciu tego przycisku urządzenie przejdzie w tryb transmisji i można zacząć mówić do mikrofonu. Wszystkie inne urządzenia PMR w zasięgu sygnału, znajdujące się na tym samym kanale w trybie gotowości (czyli nie w czasie transmisji), wyemitują Państwa wiadomość. Zanim będzie można odpowiedzieć, trzeba poczekać, aż druga osoba zakończy transmisję. Na koniec każdej transmisji będzie emitowany sygnał dźwiękowy, jeśli włączono sygnał potwierdzenia (patrz rozdział „13.12 Włączanie/wyłączanie funkcji potwierdzenia”). Aby odpowiedzieć, po prostu wcisnąć przycisk PTT - (12) i mówić do mikrofonu.



Jeżeli 2 lub więcej użytkowników wciśnie przycisk PTT (12) równocześnie, do odbiorcy dotrze tylko najmocniejszy sygnał, a pozostałe sygnały zostaną stłumione. Dlatego sygnał powinna wysyłać tylko jedna osoba (nacisnąć przycisk PTT (12), gdy kanał jest wolny).



Zasięg fal radiowych jest silnie ograniczony przez przeszkody, takie jak budynki, konstrukcje betonowe/metalowe, nierówności terenu, lasy, fabryki,... Oznacza to, że w niektórych ekstremalnych sytuacjach zasięg pomiędzy dwoma urządzeniami PMR może być ograniczony do kilkudziesięciu metrów. PMR działa najlepiej przy minimalnej ilości przeszkód pomiędzy użytkownikami.

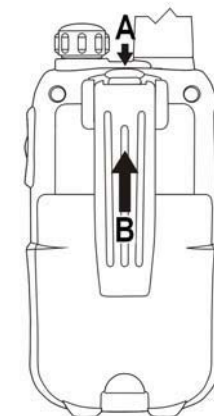
8 Zawartość opakowania

- 2 urządzenia TwinTalker 9500
- 2 x ładowarka biurkowa
- 2 x zasilacz
- 8 akumulatorów AAA NiMh
- Instrukcja obsługi
- Karta z adresem serwisu i numerem gorącej linii

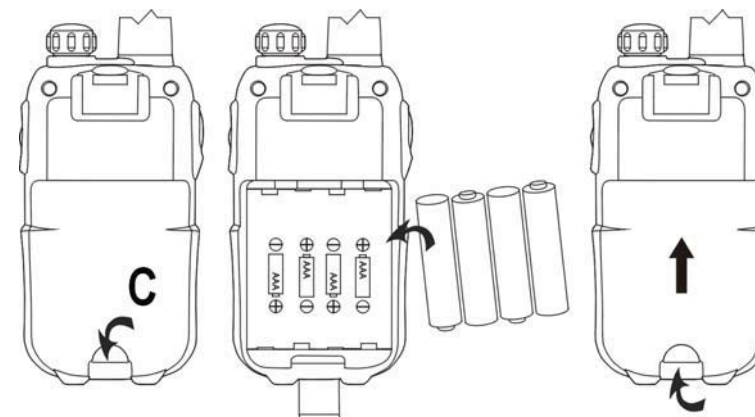
9 Rozpoczęcie pracy

9.1 Zakładanie/ zdejmowanie klipsa do paska

1. Aby zdjąć klips z urządzenia, pchnąć go (B) w kierunku anteny, pociągając równocześnie za występ (A).
2. Przy zakładaniu słychać cichy trzask, wskazujący zatrzaśnięcie zaczepu w położeniu.



9.2 Wkładanie baterii



1. Zdjąć klips do paska (patrz rozdział „9.1 Zakładanie/ zdejmowanie klipsa do paska”).
2. Podnieść pokrywę baterii, naciskając delikatnie paznokciem na jej zatrzaśk (C).
3. Włożyć baterie NiMh. Upewnić się, że została zachowana prawidłowa biegunowość.
4. Zamknąć komorę baterii.
5. Założyć ponownie klips do paska

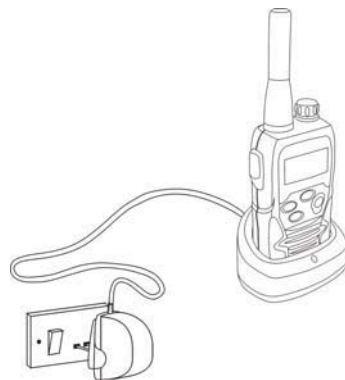
10 Ładowanie baterii

Baterię urządzenia PMR można ładować na dwa sposoby:

10.1 Przy pomocy ładowarki biurkowej

Urządzenie można ustawić na ładowarce biurkowej w celu naładowania.

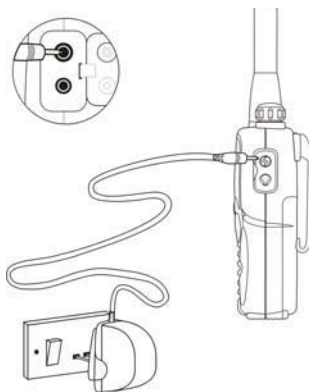
1. Umieścić ładowarkę na płaskiej powierzchni.
2. Podłączyć jeden koniec dostarczonego zasilacza do łatwo dostępnego gniazdka elektrycznego, a drugi do złącza z tyłu ładowarki biurkowej (28). (patrz złożona okładka- rysunek 3)
3. Umieścić urządzenie w ładowarce w sposób pokazany na rysunku.
4. Dioda ładowania LED (29) włączy się po właściwym włożeniu i rozpoczęciu ładowania. (patrz złożona okładka- rysunek 3)



10.2 Podłączenie zasilacza bezpośrednio do urządzenia PMR

1. Podłączyć zasilacz bezpośrednio do złącza ładowarki (3) urządzenia PMR.

Całkowite naładowanie baterii zajmuje 8-10 godzin.



Nie naciskać przycisku PTT (12) urządzenia PMR, w czasie jego ładowania !



**Nie powodować zwarcia baterii ani nie wrzucać ich do ognia. Jeżeli urządzenie nie będzie używane przez dłuższy czas, należy wyjąć z niego baterie.
Nie ładować zwykłych baterii nie przeznaczonych do ładowania, takich jak baterie alkaliczne. Może to spowodować uszkodzenie urządzenia PMR i ładowarki.**

11 Opis

Patrz składana strona okładki - rysunek 1

1. Pokrętło głośności WŁ./WYŁ. (b)
2. Wyświetlacz LCD
3. Gniazdo ładowarki
4. Gniazdo słuchawek
5. Dioda LED TX (włączona w czasie transmisji)
6. Przycisk rozmowy (•))
7. Przycisk Menu (↔)
 - Wejście do ustawień menu.
8. Mikrofon
9. Głośnik
10. Przycisk w dół ▼
 - Wybór poprzedniej wartości w menu
11. Przycisk w górę ▲
 - Wybór następnego wartości w menu
12. Przycisk PTT
13. Antena

Patrz składana strona okładki - rysunek 3

28. Gniazdo ładowarki
29. Dioda LED (włączona w czasie ładowania)

12 Informacje na wyświetlaczu LCD

Patrz składana strona okładki - rysunek 2

14. Wskazanie CTCSS
15. Wskazanie DCS
16. Wartość CTCSS/DCS
17. Wskazanie częstotliwości w MHz
18. Wskazanie MHz
19. Ikona blokady klawiatury
20. Wskazanie typu odbioru połączenia
21. Wskazanie poziomu naładowania baterii
22. Numer kanału
23. Ikona RX
 - Wyświetlana podczas odbioru
24. Ikona TX
 - Wyświetlana podczas nadawania
25. Wskazanie VOX
26. Wskazanie skanowania
27. Wskazanie trybu dwóch kanałów (DCM)

13 Korzystanie z Twintalkera 9500



Ilustracje wyświetlacza na następnych stronach pokazują tylko ikony lub wyświetlane informacje, dotyczące opisywanych w tekście funkcji.

13.1 Włączanie/ wyłączenie radia PMR



- Przekręcić „pokrętko wł./wyt./ głośność” ① zgodnie z kierunkiem ruchu wskazówek zegara. Trzask będzie oznaczać, że radio PMR zostało włączone.
- Przekręcić do końca „pokrętko wł./wyt./ głośność” ① przeciwnie do kierunku ruchu wskazówek zegara. Trzask będzie oznaczać, że radio PMR zostało wyłączone.

13.2 Wskaźnik poziomu naładowania/ niskiego poziomu naładowania baterii

Poziom naładowania baterii wskazywany jest przez kwadraciki w ikonie baterii na ekranie wyświetlacza ciekłokrystalicznego.



- Pełna bateria
- Bateria naładowana w 2/3
- Bateria naładowana w 1/3
- Bateria rozładowana

Gdy poziom naładowania baterii jest niski, ikona baterii będzie mrugać, wskazując na potrzebę wymiany lub doładowania baterii.

13.3 Regulacja głośności

- Przekręcić „pokrętko wł./wyt./ głośność” ① zgodnie z kierunkiem ruchu wskazówek zegara, aby zwiększyć głośność.
- Przekręcić przeciwnie do ruchu wskazówek zegara, aby zmniejszyć głośność

13.4 Odbiór sygnału

Włączone urządzenie jest przez cały czas w trybie odbioru, gdy tylko nie nadaje.



Aby inni mogli odbierać Twoją transmisję, powinni mieć ustawiony ten sam kanał i kod CTCSS lub DCS. (Patrz rozdział „13.6 Zmianianie kanału” i „13.7 CTCSS (Kodowany tonowo system ciągłego wyciszania szumów) DCS (Kodowany cyfrowo system wyciszania szumów)”) Można używać zarówno CTCSS jak i DCS, ale nigdy oba w tym samym czasie.

13.5 Transmisja sygnału



- Wcisnąć i przytrzymać przycisk PTT ⑫, aby nadawać. Zostanie wyświetlony symbol TX.
- Trzymać urządzenie w położeniu poziomym z mikrofonem w odległości ok. 10 cm od ust i mówić do mikrofonu.
- Zwolnić przycisk PTT ⑫, jeśli nadawanie ma być przerwane.



Aby sprawdzić aktywność kanału, użyć funkcji monitorowania (Patrz rozdział „13.8 Urządzenie monitorujące”).

13.6 Zmianianie kanału



- Nacisnąć przycisk ↔ ⑦ jeden raz – na wyświetlaczu zacznie pulsować numer bieżącego kanału.
- Nacisnąć przycisk ▲ ⑪ lub ▼ ⑩, aby zmienić kanał.
- Nacisnąć przycisk PTT ⑫, aby potwierdzić i powrócić do trybu gotowości.



Jeśli podczas ustawiania przez 5 sekund nie zostanie naciśnięty żaden przycisk, urządzenie powróci do trybu gotowości.

13.7 CTCSS (Kodowany tonowo system ciągłego wyciszania szumów) DCS (Kodowany cyfrowo system wyciszania szumów)

Niewymagająca licencji praca radiowa PMR w zakresie częstotliwości 446 MHz, tak jak Twintalker 9500 PMR, ma 8 dostępnych kanałów radiowych. Jeżeli w otoczeniu znajduje się dużo użytkowników urządzeń PMR, istnieje możliwość że będą oni korzystać z tego samego kanału radiowego.

Aby zabezpieczyć przed odbiorem sygnałów od innych użytkowników, zostały dodane podkanały.

Dwa radia PMR będą mogły się komunikować tylko wtedy, gdy oba pracują na tym samym kanale radiowym i oba mają wybrany dokładnie ten sam podkanał.

Są dwa rodzaje podkanałów :

- Kodowany tonowo system ciągłego wyciszania szumów (CTCSS)
- Kodowany cyfrowo system wyciszania szumów (DCS)

W czasie korzystania z CTCSS, wraz z sygnałem głosowym będzie wysyłany ton niskiej częstotliwości (pomiędzy 67 a 250 Hz). Można wybrać jeden z 38 różnych tonów. Można wybrać dowolny z tych 38 tonów. Dzięki filtracji, tony te generalnie nie będą słyszalne, tak więc nie zakłócą komunikacji.

DCS jest podobny do CTCSS, ale zamiast wysyłania ciągłego sygnału tonowego wybranej częstotliwości, do sygnału radiowego jest dodana transmisja danych cyfrowych. Kod cyfrowy jest transmitowany przy bardzo niskiej prędkości około 134 bitów na sekundę (kod jest 23 bitowy). Tylko urządzenia PMR najnowszej generacji obsługują DCS. Można korzystać z dostępnych 83

kodów DCS. Ponieważ starsze modele obsługują tylko CTCSS, lepiej będzie użyć DCS, aby zapobiec przed usłyszeniem innych użytkowników czasie rozmowy PMR.

13.7.1 CTCSS



- Naciśnij dwa razy przycisk ↵ (7) - "CTCSS" i bieżący kod CTCSS migają na wyświetlaczu.
- Naciśnij przycisk ▲ (11) lub ▼ (10), aby wybrać inny kod.
- Nacisnąć przycisk PTT (12), aby potwierdzić i powrócić do trybu gotowości.

13.7.2 DCS



- Nacisnąć trzy razy przycisk ↵ (7): "DCS" i bieżący kod DCS migają na wyświetlaczu.
- Naciśnij przycisk ▲ (11) lub ▼ (10), aby wybrać inny kod.
- Nacisnąć przycisk PTT (12), aby potwierdzić i powrócić do trybu gotowości.



W celu wyłączenia CTCSS lub DCS, wybrać kod "00" dla CTCSS lub DCS w menu Po potwierdzeniu, zostanie wyświetlone "OF".

13.8 Urządzenie monitorujące

Funkcja monitorowania służy do wyszukiwania słabszych sygnałów na bieżącym kanale.

- Naciśnij jednocześnie przyciski ↵ (7) oraz ▼ (10), aby aktywować monitorowanie kanału.
- Nacisnąć przycisk ↵ (7), aby przerwać monitorowanie.



W czasie monitorowania kanału obwód odbiornika PMR nie będzie słuchał kodów CTCSS lub DCS.

13.9 Wybór trybu VOX

Urządzenie PMR ma możliwość transmisji uruchamianej głosem (Vox). W trybie VOX radio wyśle sygnał, gdy zostanie aktywowane głosem lub innym dźwiękiem w pobliżu. Nie zaleca się uruchamiania funkcji VOX, gdy urządzenie będzie używane w hałaśliwym lub wietrznym środowisku.



Tryb VOX zostanie pominięty po naciśnięciu przycisku PTT (12).

- Naciśnij przycisk ↵ (7) cztery razy - bieżące ustawienie VOX zacznie pulsować na wyświetlaczu i pojawi się ikona VOX.
- Nacisnąć przycisk ▲ (11), aby ustawić poziom czułości VOX od 1 do 3 (poziom 3 jest najczulszy).
- Nacisnąć przycisk ▼ (10) aż na wyświetlaczu pokaże się 'OFF', aby wyłączyć funkcję VOX.
- Nacisnąć przycisk PTT (12), aby potwierdzić i powrócić do trybu gotowości.



13.10 Skanowanie kanałów

Funkcja ta umożliwia wyszukiwanie aktywnych sygnałów na kanałach 1 do 8 w nieskończonej pętli.

Po odnalezieniu aktywnego kanału można wyszukać kod CTCSS lub DCS, ustawiony przez użytkownika nadającego na wyszukanym kanale.

13.10.1 Wyszukiwanie aktywnego kanału radiowego



- Nacisnąć przycisk ↵ (7) pięć razy. "SCAN" i bieżący kanał migają na wyświetlaczu.
- Nacisnąć przycisk ▲ (11) lub ▼ (10), aby rozpocząć skanowanie kanału.

Skanowanie zostanie przerwane po odnalezieniu aktywnego kanału i można słuchać transmisji. Gdy transmisja na znalezionym kanale zostanie przerwana, skanowanie zostanie wznowione automatycznie.



Po naciśnięciu przycisku PTT (12) w czasie słuchania znalezionej kanału, urządzenie przejdzie w tryb gotowości na znalezionym kanale.

13.10.2 Wyszukiwanie kodu CTCSS

Gdy zostanie znaleziony aktywny kanał, nacisnąć przycisk PTT (12) w celu wybrania znalezionej aktywnego kanału. Teraz można wyszukać kod CTCSS/DCS wybrany przez odnalezionego użytkownika.



- Nacisnąć przycisk ↵ (7) sześć razy: "SCAN" i "CTCSS 00" miga na wyświetlaczu dla wybranego kanału radiowego.
- Nacisnąć przycisk ▲ (11) lub ▼ (10), aby rozpocząć skanowanie CTCSS.

Jeżeli na tym kanale jest transmisja, kod CTCSS (jeśli używany) zostanie wykryty i wyświetlony.



- Po naciśnięciu przycisku PTT ⑫ w czasie słuchania znalezionej kodu CTCSS, urządzenie PMR przejdzie do trybu gotowości na znalezionym kanale i kodzie CTCSS.
- Jeżeli nie został wykryty kod CTCSS, istnieje prawdopodobieństwo, że użytkownik wybrał kod DCS. W tym przypadku można wyszukać kod DCS. (rozdział 13.10.3)

13.10.3 Wyszukiwanie kodu DCS



- Nacisnąć przycisk ⇨ ⑦ siedem razy. "SCAN" i "DCS 00" migają na wyświetlaczu dla wybranego kanału radiowego.
- Nacisnąć przycisk ▲ ⑪ lub ▼ ⑩, aby rozpocząć skanowanie DCS.

Jeżeli na tym kanale jest transmisja, kod DCS (jeśli używany) zostanie wykryty i wyświetlony.



Po naciśnięciu przycisku PTT ⑫ w czasie słuchania znalezionej kodu DCS, urządzenie PMR przejdzie do trybu gotowości na znalezionym kanale i kodzie DCS.

13.11 Dźwięk połączenia

Dźwięk połączenia informuje innych, że chcesz zacząć mówić.

13.11.1 Ustawianie dźwięku połączenia

Twintalker 9500 ma 15 dźwięków połączenia



- Nacisnąć osiem razy przycisk ⇨ ⑦. Zacznie migać „C” i bieżący dźwięk połączenia.
- Nacisnąć przycisk ▲ ⑪ lub ▼ ⑩, aby wybrać inny dźwięk połączenia.
- Nacisnąć przycisk PTT ⑫, aby potwierdzić i powrócić do trybu gotowości.

13.11.2 Wysyłanie dźwięku połączenia

Nacisnąć krótko przycisk ● ⑥. Dźwięk połączenia będzie nadawany na ustawionym kanale.

13.11.3 Typ odbioru dźwięku połączenia

- Nacisnąć przycisk ⇨ ⑦ dziewięć razy.
- Nacisnąć przycisk ▲ ⑪ lub ▼ ⑩, aby wybrać typ odbioru dźwięku połączenia.
 1. Tylko dźwięk ▲
 2. Dźwięk + wibracje (▲)
 3. Tylko wibracje ()

Nacisnąć przycisk PTT ⑫, aby potwierdzić i powrócić do trybu gotowości.

13.12 Włączanie/wyłączanie funkcji potwierdzenia

Po zwolnieniu przycisku PTT ⑫ urządzenie wyemituje dźwięk potwierdzenia, potwierdzając zakończenie rozmowy.



W celu ustawienia sygnału potwierdzenia.

- Nacisnąć przycisk ⇨ ⑦ dziesięć razy. Wyświetli się 'rO'.
- Wcisnąć ▲ ⑪ w celu włączenia (ON) lub ▼ ⑩ w celu wyłączenia (OFF) funkcji potwierdzenia.
- Nacisnąć przycisk PTT ⑫, aby potwierdzić i powrócić do trybu gotowości.

13.13 Włączanie/wyłączanie dźwięku klawiatury

Gdy wciśnięty jest przycisk, rozlegnie się krótki sygnał dźwiękowy.



W celu ustawienia dźwięku klawiatury.

- Nacisnąć przycisk ⇨ ⑦ jedenaście razy. Wyświetli się 'tO'.
- Wcisnąć ▲ ⑪ w celu włączenia (ON) lub ▼ ⑩ w celu wyłączenia (OFF) dźwięku klawiatury.
- Nacisnąć przycisk PTT ⑫, aby potwierdzić i powrócić do trybu gotowości.

13.14 Funkcja podwójnego monitorowania kanałów

W trybie gotowości urządzenie PMR jest ustawione na jeden kanał z kodem CTCSS/DCS. Urządzenie będzie odbierać tylko sygnały transmitowane na tym kanale z kodem CTCSS/DCS. Funkcja podwójnego monitorowania kanałów (DCM) umożliwi monitorowanie drugiego kanału z kodem CTCSS/DCS.

- Nacisnąć dwanaście razy przycisk ⇨ ⑦. "DCM OFF" będzie migać na wyświetlaczu.
- Nacisnąć przycisk ▲ ⑪ lub ▼ ⑩, aby zmienić kanał.
- Nacisnąć przycisk ⇨ ⑦, aby potwierdzić wybór kanału i przejść do wyboru CTCSS. (Nacisnąć ponownie przycisk ⇨ ⑦, aby przejść do wyboru DCS)
- Nacisnąć przycisk ▲ ⑪ lub ▼ ⑩, aby zmienić kod CTCSS lub DCS.
- Nacisnąć przycisk PTT ⑫, aby potwierdzić i powrócić do trybu gotowości.
- Aby wyłączyć tę funkcję, wybrać "OFF" w czasie wybierania kanału DCM.



Gdy funkcja podwójnego monitorowania jest aktywna, urządzenie będzie przełączać się w sekwencji między kanałem gotowości + CTCSS/DCS a monitorowaniem podwójnym + CTCSS/DCS.

13.15 Blokada przycisków



- Nacisnąć i przytrzymać przycisk ↵ (7) przez trzy sekundy, aby włączyć tryb blokady przycisków. Na wyświetlaczu LCD pojawi się ikona blokady.
- Ponownie wcisnąć i przytrzymać przycisk ↵ (7) przez trzy sekundy, aby wyłączyć blokadę.



Przyciski PTT (12), (6) i (1) będą nadal aktywne, gdy włączona jest blokada przycisków.

13.16 Podświetlenie wyświetlacza

Aby włączyć podświetlenie wyświetlacza, naciśnij dowolny przycisk oprócz PTT (12) lub (6).

Podświetlenie będzie włączone przez 6 sekund.

14 Podłączanie słuchawki

Złącze jest zlokalizowane na górze urządzenia (2).

Włóż wtyczkę słuchawki do złącza (jack 2,5 mm).

Mały przycisk na słuchawce pełni taką samą funkcję, jak przycisk PTT - button (12) na urządzeniu

Używając przycisku PTT - (12) słuchawki, należy również korzystać z mikrofonu na przewodzie słuchawki..



Nie podłączać innych słuchawek. Może to uszkodzić urządzenie.

15 Usuwanie usterek

Brak zasilania	Wyczyścić styki baterii miękką szmatką. Wymienić baterie.
Brak transmisji	Dokładnie wcisnąć przycisk PTT (12) przed rozpoczęciem rozmowy. Monitorować aktywność kanału i zmienić kanał na inny, jeśli bieżący jest zajęty.
Brak odbioru	Sprawdź głośność. Upewnij się, że jest się w zasięgu odbioru nadawcy i w razie potrzeby zmień swoje położenie.
Ograniczony zasięgi i szum podczas transmisji	Zasięg zależy od terenu. Stalowe konstrukcje, betonowe budynki lub ruch pojazdów niekorzystnie wpływają na zasięg. W miarę możliwości starać się unikać przeszkód i komunikować w czystym polu widzenia. Zmienić swoją lokalizację.
Zakłócenia	Odbiornik i nadajnik są zbyt blisko. Minimalna odległość między 2 urządzeniami to 1,5 m.

16 Specyfikacje techniczne

Kanały	8
Sub-kod	CTCSS 38 / DCS 83
Częstotliwość	446.00625MHz - 446.09375 MHz
Zasięg	Do 10 km (na otwartej przestrzeni)
Bateria	Akumulatorki Li-ion 3.7V
Moc transmisji	=< 500 mW ERP
Typ modulacji	FM - F3E
Rozmieszczenie kanałów	12,5 kHz
Podwójna ładowarka	Wejście: 230 V AC / 50 Hz – Wyjście : 7,5 V DC / 750mA

Channel Frequency Chart:		CTCSS Code Chart							
Channel	Frequency (MHz)	Code	Frequency (Hz)	Code	Freq. (Hz)	Code	Freq. (Hz)	Code	Freq. (Hz)
1	446,00625	0	Disabled	10	94,8	20	131,8	30	186,2
2	446,01875	1	67,0	11	97,4	21	136,5	31	192,8
3	446,03125	2	71,9	12	100,0	22	141,3	32	203,5
4	446,04375	3	74,4	13	103,5	23	146,2	33	210,7
5	446,05625	4	77,0	14	107,2	24	151,4	34	218,1
6	446,06875	5	79,7	15	110,9	25	156,7	35	225,7
7	446,08125	6	82,5	16	114,8	26	162,2	36	233,6
8	446,09375	7	85,4	17	118,8	27	167,9	37	241,8
		8	88,5	18	123,0	28	173,8	38	250,3
		9	91,5	19	127,3	29	179,9		

DCS Code Chart							
No	DCS code	No	DCS code	No	DCS code	No	DCS code
0	Disabled	21	134	42	311	63	516
1	23	22	143	43	315	64	532
2	25	23	152	44	331	65	546
3	26	24	155	45	343	66	565
4	31	25	156	46	346	67	606
5	32	26	162	47	351	68	612
6	43	27	165	48	364	69	624
7	47	28	172	49	365	70	627
8	51	29	174	50	371	71	631
9	54	30	205	51	411	72	632
10	65	31	223	52	412	73	654
11	71	32	226	53	413	74	662
12	72	33	243	54	423	75	664
13	73	34	244	55	431	76	703
14	74	35	245	56	432	77	712
15	114	36	251	57	445	78	723
16	115	37	261	58	464	79	731
17	116	38	263	59	465	80	732
18	125	39	265	60	466	81	734
19	131	40	271	61	503	82	743
20	132	41	306	62	506	83	754

17 Gwarancja Topcom

17.1 Okres gwarancji

Urządzenia Topcom są objęte 24-miesięcznym okresem gwarancji. Okres gwarancji rozpoczyna się w dniu zakupu nowego urządzenia. Firma Topcom nie udziela żadnej gwarancji na baterie standardowe lub akumulatorki (typu AA/AAA).

Części eksploatacyjne lub wady nieznacznie wpływające na działanie lub wartość sprzętu nie są objęte gwarancją.

Gwarancję należy udowodnić, przedstawiając rachunek zakupu oryginał lub kopia, na którym widnieje data zakupu oraz model urządzenia.

17.2 Obsługa gwarancji

Wadliwe urządzenie należy zwrócić do zakładu serwisowego Topcom wraz z ważnym rachunkiem zakupu oraz wypełnioną kartą serwisową.

Jeżeli w urządzeniu wystąpi usterka w trakcie trwania okresu gwarancji, firma Topcom lub jej autoryzowany zakład serwisowy bezpłatnie usunie powstałą usterkę spowodowaną wadą materiałową lub produkcyjną, przez naprawę lub wymianę urządzenia lub jego części. W przypadku wymiany, kolor i model urządzenia mogą różnić się od urządzenia pierwotnie zakupionego.

Data pierwotnego zakupu będzie określać początek okresu gwarancyjnego. Okres gwarancyjny nie ulega przedłużeniu, jeżeli urządzenie zostało wymienione lub naprawione przez Topcom lub autoryzowany zakład serwisowy.

17.3 Wyjątki od gwarancji

Uszkodzenia lub wady spowodowane nieprawidłowym obchodzeniem się lub pracą z urządzeniem oraz uszkodzenia powstałe w wyniku zastosowania nieoryginalnych części lub akcesoriów nie są objęte gwarancją.

Gwarancja nie obejmuje szkód wywołanych przez czynniki zewnętrzne, takich jak pioruny, woda i ogień, ani uszkodzeń powstałych w czasie transportu.

Gwarancja nie ma zastosowania, jeżeli numer seryjny urządzenia został zmieniony, usunięty lub nie może zostać odczytany.

Wszelkie roszczenia gwarancyjne zostaną uznane za nieważne, jeśli urządzenie było naprawiane, zmieniane lub modyfikowane przez użytkownika.

1 Úvod

Ďakujeme, že ste si zakúpili Twintalker 7100 Sports Pack. Ide o rádiokomunikačné zariadenie dlhého dosahu s nízkou spotrebou a s dosahom maximálne 10 km, ktoré okrem dobíjania batérií nemá žiadne náklady na prevádzku. Twintalker pracuje na 8 kanáloch.

2 Účel použitia

Zariadenie je možné využiť na rôzne rekreačné účely. Napríklad: pri cestovaní na zachovanie kontaktu medzi 2 alebo viacerými automobilmi, pri bicyklovaní alebo lyžovaní. Môže sa tiež použiť na zachovanie kontaktu s deťmi hrajúcimi sa vonku a pod.

3 Značka CE

Symbol CE na jednotke, užívateľskej príručke a na obale znamená, že zariadenie je v súlade so základnými požiadavkami R&TTE smerníc 1995/5/ES.

4 Bezpečnostné predpisy

4.1 Všeobecné predpisy

Pozorne si prečítajte nasledovné informácie vzťahujúce sa na bezpečné a správne použitie. Oboznámte sa so všetkými funkciami prístroja. Príručku uschovajte na bezpečnom mieste pre budúce použitie.

4.2 Popáleniny

- Pokiaľ je kryt antény poškodený, nedotýkajte sa ho, pretože pri styku antény s kožou by počas vysielania mohlo dôjsť k drobnému popáleniu.
- Batérie môžu spôsobiť škody na majetku typu spálenín, ak sa napríklad vodivý materiál ako sú šperky, kľúče či retiazky dotknú otvorených svoriek batérie. Materiál môže uzavrieť elektrický obvod (krátke spojenie) a rozhorúčiť sa. Preto postupujte pri zaobchádzaní s nabitými batériami opatrne, obzvlášť pri ich uložení do vrečka, kabelky alebo na iné miesto obsahujúce kovové predmety.

4.3 Zranenia

- Neumiestňujte zariadenie do oblasti nad airbagom alebo v oblasti, kde sa airbag nafukuje. Airbagy sa nafúknu veľkou silou. Ak sa vysielaciačka nachádza v oblasti pôsobenia aktivovaného airbagu, môže byť vystrelená veľkou silou a spôsobiť vážne zranenie posádky vozidla.
- Vysielaciačku udržiavajte najmenej 15 cm od kardiostimulátora.
- Ak dôjde k interferencii vysielaciačky s lekárskeym prístrojom, okamžite zariadenie VYPNITE.

4.4 Nebezpečenstvo výbuchu

- Nevymieňajte batérie v potenciálne výbušnom prostredí. Pri vložení alebo odstránení batérií môže na kontaktoch dôjsť k iskreniu, ktoré by mohlo zapríčiniť výbuch.
- V prostrediach s nebezpečenstvom výbuchu vysielaciačku vypnite. Iskry na takom mieste by mohli spôsobiť výbuch alebo požiar s následkom telesného zranenia či dokonca smrti.
- Batérie nehádzte do ohňa, pretože by mohli explodovať.



Miesta s potenciálne výbušnou atmosférou bývajú často, ale ne vždy, jasne označené. Jedná sa napríklad o miesta na doplňovanie paliva, ako sú podpalubia lodí alebo prostredia so zariadeniami na čerpanie alebo uloženie palív či chemikálií; miesta, kde vzduch obsahuje chemikálie alebo rôzne častice, napríklad prach, obilný alebo kovový prášok; a akékoľvek ďalšie miesta, kde by ste boli normálne požiadaní o vypnutie motora vozidla.

4.5 Nebezpečenstvo otravy

- Držte batérie mimo dosahu malých detí.

4.6 Právne zásady

- V niektorých krajinách je zakázané používať vysielaciačku počas šoférovania motorového vozidla. V takomto prípade odstavte pred použitím zariadenia vaše vozidlo.
- Vysielaciačku VYPNITE na palube lietadla, keď vás k tomu vyzvú. Akékoľvek použitie vysielaciačky musí byť v súlade so stanovami leteckej dopravnej spoločnosti alebo inštrukciami posádky.
- Vysielaciačku VYPNITE všade, kde vás k tomu navádzajú vyvesené oznamy. Nemocnice alebo zdravotnícke zariadenia môžu používať zariadenia, ktoré sú citlivé na vonkajšiu RF energiu.
- Výmena alebo úprava antény môže ovplyvniť rádiové špecifikácie vysielaciačky a tak porušiť CE stanovy. Nepovolené antény môžu tiež poškodiť vysielaciačku.

4.7 Poznámky

- Nedotýkajte sa antény počas vysielania, pretože to môže ovplyvniť dosah vysielania.
- Keď sa zariadenie počas dlhšej doby nebude používať, vyberte z neho batérie.

5 Čistenie a údržba

- Jednotku čistite mäkkou tkaninou navlhčenou vo vode. Na čistenie jednotky nepoužívajte čistič ani rozpúšťadlá; môžu poškodiť plášť a zatiec dovnútra, spôsobujúce trvalé poškodenie.
- Kontakty batérií môžete pretrieť suchou tkaninou bez chlpuv.
- Ak jednotka zmokne, vypnite ju a okamžite vyberte batérie. Schránku pre batériu vysušte mäkkou tkaninou, aby ste čo najviac obmedzili poškodenie vodou. Kryt schránky pre batérie nechajte mimo schránky cez noc alebo kým schránka úplne nevyschne. Jednotku nepoužívajte, dokiaľ nebude úplne suchá.

6 Likvidácia zariadenia (životné prostredie)



Po skončení životnosti tohto výrobku prístroj nevyhodte ho do bežného domáceho odpadu, ale ho odovzdajte do zberného strediska pre recyklovanie elektrických a elektronických zariadení. Upozorňuje vás na to symbol na zariadení, v užívateľskej príručke a/alebo na obale.

Niektoré materiály tohto produktu môžu byť znovu použité, ak zariadenie prinesiete do zberného strediska. Opätovné použitie niektorých častí alebo základných materiálov použitých produktov je významným príspevkom pre ochranu životného prostredia. Ak potrebujete viac informácií o zberných centrách vo vašom regióne, kontaktujte lokálne úrady.

7 Použitie zariadenia PMR

Ak chcete nadviazať komunikáciu medzi zariadeniami PMR, tieto zariadenia musia byť naladené na rovnaký kanál a kód CTCSS/DCS (pozri kapitola „13.7 CTCSS (Continuous Tone Coded Squelch System) / DCS (Digital Coded Squelch)“ a musia sa nachádzať v dosahu príjmu (max. 10 km v otvorenom priestore). Keďže tieto zariadenia používajú pásma (kanály) voľných frekvencií, tieto kanály (spolu 8 kanálov) využívajú všetky používané zariadenia. Súkromie preto nie je možné zaručiť. Každý, kto naladí na svojom PMR váš kanál, môže počúvať váš rozhovor. Ak chcete komunikovať (prenášať hlasový signál), musíte stlačiť tlačidlo PTT (12).

Po stlačení tohto tlačidla zariadenie prejde do vysielacieho režimu a môžete hovoriť do mikrofónu. Všetky ostatné PMR zariadenia v dosahu na rovnakom kanáli a v pohotovostnom režime (ktoré nevysielajú) budú počuť vaše vysielanie. Musíte počkať, kým druhá strana prestane vysielать, potom môžete na správu odpovedať. Na konci každého vysielania pošle jednotka pípnutie na znamenie porozumenia, ak je táto funkcia aktívna (pozri kapitola „13.12 Zapnutie/vypnutie potvrdenia „rozumím““). Ak chcete odpovedať, stlačte PTT-tlačidlo (12) a začnete hovoriť do mikrofónu.



Ak tlačidlo PTT (12) stlačia v tom istom čase dvaja alebo viacerí užívatelia, prijímač prijme iba najsilnejší signál a ostatné signály budú potlačené. Preto by ste mali vysielать signál iba vtedy (stlačte PTT - tlačidlo (12), keď je kanál voľný.



Dosah rádiových vln silno ovplyvňujú prekážky, napríklad budovy, betónové/kovové konštrukcie, nerovnosti terénu, lesy, rastliny, ... To znamená, že dosah medzi dvomi alebo viacerými vysielateľkami môže byť v niektorých extrémnych prípadoch obmedzený maximálne na niekoľko desiatok metrov. Čoskoro zaregistrujete, že PMR funguje najlepšie vtedy, ak nie sú medzi používateľmi žiadne prekážky.

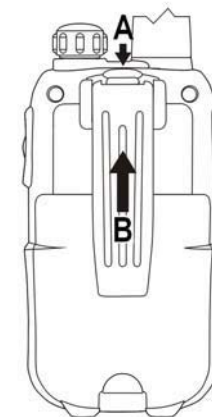
8 Balenie obsahuje

- 2 x Twintalker 9500
- 2 x stolovú nabíjačku
- 2 x napájací adaptér
- 8 x AAA NiMh batérie
- používateľskú príručku
- kartu s adresou servisu a kontaktom na horúcu linku

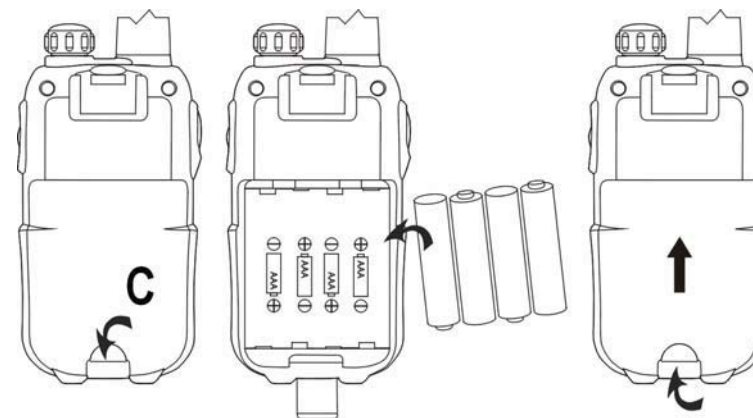
9 Začíname

9.1 Inštalácia/odpojenie spony na opasok

1. Ak chcete sponu na opasok odpojiť, zatlačte sponu na opasok (B) smerom k anténe a súčasne potiahnite jazýček spony (A).
2. Keď sponu na opasok inštalujete, budete počuť kliknutie - to znamená, že ste sponu na opasok upevnili správne.



9.2 Vloženie batérie



1. Odstráňte sponu na opasok (pozri kapitola „9.1 Inštalácia/odpojenie spony na opasok“)
2. Nadvihnite dverka priehradky na batérie jemným zatlačením svorky dverok (C) nechtom.
3. Vložte NiMh batérie. Dajte pozor, aby bola polarita NiMh batérií správna.
4. Zatvorte dverka batérií.
5. Nasadte sponu späť na opasok

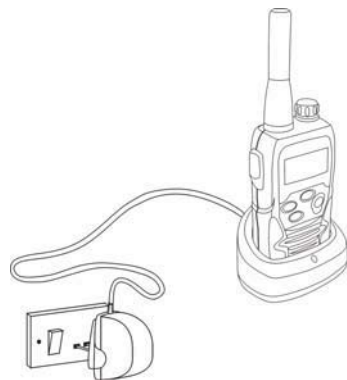
10 Nabíjanie batérií

Batérie vysielaciek sa dajú nabíjať dvomi spôsobmi:

10.1 Pomocou stolovej nabíjačky

Batérie môžete nabíjať, ak ich jednoducho vložíte do stolovej nabíjačky.

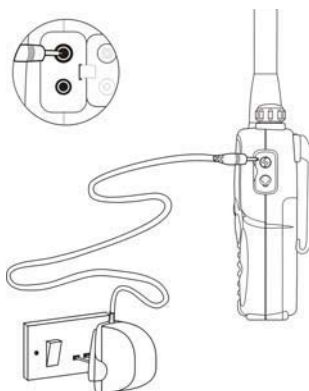
1. Položte stolovú nabíjačku na rovný povrch.
2. Zasuňte jeden koniec priloženého adaptéra do ľahko prístupnej zásuvky a druhý koniec do konektora na zadnej strane stolovej nabíjačky (28). (pozri zahnutá stránka obalu - obrázok 2)
3. Vložte vysielaciu do nabíjačky podľa návodu.
4. Indikátor dobíjania (29) sa rozsvieti, pokiaľ je zariadenie správne vložené a nabíja sa. (pozri zahnutá stránka obalu - obrázok 3)



10.2 Pripojenie napájacieho adaptéra priamo k vysielacke

1. Pripojte konektor napájacieho adaptéra priamo k prípojke na nabíjačke (3) vysielaciky.

Plné nabitie batérií trvá približne 8 až 10 hodín.



Počas nabíjania nestláčajte PTT -tlačidlo (12) vysielaciky !



Batériu neskratujte, ani ju nevhadzujte do ohňa. Ak zariadenie nebudete používať dlhší čas, batérie z neho vyberte. V nabíjačke nenabíjajte nenabíjateľné batérie, napríklad alkalické. Môže sa tým poškodiť vysielacia a nabíjačka.

11 Popis

Pozri zahnutá stránka obalu - obrázok 1

1. Tlačidlo Zap/Vyp hlasitosti
2. LCD displej
3. Pripojenie nabíjačky
4. Pripojenie slúchadiel s mikrofónom
5. Indikátor TX (svieti počas vysielania)
6. Tlačidlo volania
7. Tlačidlo ponuky
 - Vstup do ponuky nastavení
8. Mikrofón
9. Reprodukotor
10. Tlačidlo pre pohyb nadol
 - Výber predchádzajúcej položky v ponuke
11. Tlačidlo pre pohyb nahor
 - Výber ďalšej položky v ponuke
12. Tlačidlo PTT
13. Anténa

Pozri zahnutá stránka obalu - obrázok 3

28. Pripojenie nabíjačky
29. Indikátor nabíjačky (svieti počas nabíjania)

12 Informácie na LCD displeji

Pozri zahnutá stránka obalu - obrázok 2

14. Indikácia CTCSS
15. Indikácia DCS
16. Hodnota CTCSS/DCS
17. Indikácia frekvencie v MHz
18. Indikácia MHZ
19. Ikona blokovania klávesnice
20. Indikácia typu prijímania hovoru
21. Ukazovateľ úrovne nabitia batérie
22. Číslo kanála
23. Ikona RX
 - Zobrazuje sa pri prijíme
24. Ikona TX
 - Zobrazuje sa pri vysielaní
25. Signalizácia VOX
26. Signalizácia skenovania
27. Signalizácia režimu duálneho kanála (DCM)

13 Používanie zariadenia Twintalker 9500



Obrázky displeja na nasledovných stranách ukazujú iba ikony alebo zobrazujú iba informácie o funkciách, ktoré sú vysvetlené v texte.

13.1 Zapínanie a vypínanie PMR vysielачky



- Pootočte tlačidlo „On-Off (Zap-Vyp)/Hlasitos“ ① v smere hodinových ručičiek. Kliknutie signalizuje, že PMR vysielачka je zapnutá.
- Celkom pootočte tlačidlo „On-Off (Zap-Vyp)/Hlasitos“ ① proti smeru hodinových ručičiek. Kliknutie signalizuje, že PMR vysielачka je vypnutá.

13.2 Indikátor stavu batérie/Indikácia slabej batérie

Úroveň nabitia batérie je vyznačená počtom štvorcíkov vnútri ikony batérie na LCD displeji.



- Batéria úplne nabitá
- Batéria nabitá do 2/3
- Batéria nabitá do 1/3
- Batéria vybitá

Keď je úroveň nabitia batérie nízka, ikona batérie bude blikať a budete počuť pípanie, ktoré signalizuje, že batérie sa musia vymeniť alebo nabiť.

13.3 Úprava hlasitosti reproduktora

- Pre zvýšenie hlasitosti reproduktora pootočte tlačidlo „On-Off (Zap-Vyp)/Hlasitos“ ① v smere hodinových ručičiek.
- Pre zníženie hlasitosti pootočte tlačidlo proti smeru hodinových ručičiek.

13.4 Prijem signálu

Keď je jednotka zapnutá a nevysiela, je stále v režime prijímania.



Pokiaľ chce niekto vaše vysielanie prijímať, musí mať naladený ten istý kanál a nastavený ten istý kód CTCSS alebo DCS. (pozri kapitola „13.6 Zmena kanálov“ a „13.7 CTCSS (Continuous Tone Coded Squelch System) / DCS (Digital Coded Squelch)“.
Môže sa používať buď CTCSS alebo DCS, ale nikdy obidva naraz.

13.5 Vysielanie signálu



- Ak chcete vyselať, stlačte a podržte PTT - tlačidlo ⑫. Zobrazí sa symbol TX.
- Podržte jednotku vo zvislej polohe s mikrofónom vo vzdialenosti 10 cm od úst a hovorte do mikrofónu.
- Ak chcete vysielanie ukončiť, uvoľnite PTT - tlačidlo ⑫.



Ak chcete skontrolovať aktivitu kanála, použite funkciu sledovania (Pozri kapitola „13.8 Sledovanie“).

13.6 Zmena kanálov



- Raz stlačte ⇨ - tlačidlo ⑦; číslo aktuálneho kanála zabliká na displeji.
- Ak chcete zmeniť kanál, stlačte ▲ - tlačidlo ⑪ alebo ▼ - tlačidlo ⑩.
- Pre potvrdenie a návrat do pohotovostného režimu stlačte PTT - tlačidlo ⑫.



Ak počas nastavenia nestlačíte do 5 sekúnd žiadne tlačidlo, jednotka sa vráti do pohotovostného režimu.

13.7 CTCSS (Continuous Tone Coded Squelch System) / DCS (Digital Coded Squelch)

Vysielачky PMR bez licencií, ktoré pracujú na frekvenčnom pásme 446 MHz, ako Twintalker 9500 PMR, majú k dispozícii 8 rádiových kanálov. Ak je vo vašej blízkosti veľa používateľov PMR, je možné, že niektorí z týchto používateľov využívajú ten istý rádiový kanál. Aby ste nedostávali signály od ostatných používateľov, zariadenie umožňuje využívať podkanály.

Dve vysielачky PMR budú môcť spolu komunikovať iba vtedy, ak sú nastavené na rovnaký rádiový kanál a ak majú zvolený presne ten istý podkanál.

Existujú dva druhy podkanálov :

- CTCSS (Continuous Tone Coded Squelch System)
- DCS (Digital Coded Squelch)

Ak používate CTCSS, spolu s hlasovým signálom sa bude vyselať nízko-frekvenčný tón (medzi 67 a 250 Hz). Na výber je 38 tónov. Môžete si vybrať jeden z týchto 38 tónov. Z dôvodu filtrovania tieto tóny väčšinou nebude počuť, takže nebudú narúšať komunikáciu.

DCS je podobný ako CTCSS, ale namiesto posielania súvislého tónu zvolenej frekvencie sa do rádiového signálu pridáva prenos digitálnych dát. Tento digitálny kód sa vysela pri skutočne nízkej rýchlosti, približne 134 bitov za sekundu (kód má dĺžku 23 bitov). DCS podporujú iba PMR najnovšej generácie. K dispozícii je 83 kódov DCS, ktoré sa dajú použiť. Keďže staršie modely podporujú iba CTCSS, je lepšie použiť DCS, aby počas rozhovorov cez PMR nebolo počuť ostatných používateľov.

13.7.1 CTCSS



- Stlačte ↵ -tlačidlo ⑦ dvakrát : **na obrazovke bliká „CTCSS“** a aktuálny kód CTCSS.
- Ak chcete zmeniť kód, stlačte ▲ -tlačidlo ⑪ alebo ▼ -tlačidlo ⑩ .
- Pre potvrdenie a návrat do pohotovostného režimu stlačte PTT -tlačidlo ⑫ .

13.7.2 DCS



- Stlačte ↵ -tlačidlo ⑦ trikrát : na displeji bliká „**DCS**“ a aktuálny kód DCS.
- Ak chcete zmeniť kód, stlačte ▲ -tlačidlo ⑪ alebo ▼ -tlačidlo ⑩ .
- Pre potvrdenie a návrat do pohotovostného režimu stlačte PTT -tlačidlo ⑫ .



Ak chcete CTCSS alebo DCS deaktivovať, vyberte v ponuke kód „00“ pre CTCSS alebo pre DCS. Po potvrdení tejto voľby sa zobrazí „OF“ (vypnuté).

13.8 Sledovanie

Funkciu sledovania môžete použiť na kontrolu slabších signálov na aktuálnom kanáli.

- Ak chcete aktivovať sledovanie kanálov, stlačte súčasne ↵ -tlačidlo ⑦ a ▼ -tlačidlo ⑩ .
- Ak chcete sledovanie kanálov zastaviť, stlačte ↵ -tlačidlo ⑦ .



Počas sledovania kanálov okruh prijímača v PMR nebude prijímať kódy CTCSS alebo DCS.

13.9 Voľba VOX

PMR umožňuje hlasom aktivovaný prenos (VOX). V režime VOX vysielačka prenáša signál, keď ju aktivuje váš hlas alebo iný zvuk okolo vás. Používanie režimu VOX sa neodporúča, ak chcete vysielačku používať v hlučnom alebo veternom prostredí.



Režim VOX sa zruší, ak stlačíte PTT - tlačidlo ⑫ .



- Stlačte štyrikrát ↵ - tlačidlo ⑦ , na displeji zabliká aktuálne nastavenie VOX a zobrazí sa ikona VOX.
- Stlačením ▲ -tlačidla ⑪ nastavte úroveň citlivosti VOX medzi 1 a 3 (úroveň 3 je najcitlivejšia).
- Stláčajte ▼ tlačidlo ⑩ , kým sa na displeji neobjaví „OFF“ a režim VOX sa vypne.
- Pre potvrdenie a návrat do pohotovostného režimu stlačte PTT -tlačidlo ⑫ .

13.10 Skenovanie kanálov

Skenovanie kanálov slúži na vyhľadávanie aktívnych signálov v nekonečnej slučke kanálov 1 až 8. Keď sa nájde aktívny kanál, môžete si vybrať, či budete hľadať kód CTCSS alebo kód DCS, ktorý nastavuje používateľ, ktorý na danom kanáli vysiela.

13.10.1 Vyhľadávanie aktívneho rádiového kanála



- Stlačte ↵ -tlačidlo ⑦ päťkrát : na displeji bliká „**SCAN**“ a aktuálny kanál.
- Ak chcete spustiť skenovanie kanálov, stlačte ▲ -tlačidlo ⑪ alebo ▼ -tlačidlo ⑩ .

Po nájdení aktívneho kanála sa skenovanie zastaví a môžete počúvať vysielenie. Keď sa vysielenie na nájdenom kanáli zastaví, skenovanie sa automaticky obnoví.



Ak stlačíte PTT tlačidlo ⑫ počas počúvania nájdeného kanála, PMR sa vráti do pohotovostného režimu na nájdenom kanáli.

13.10.2 Vyhľadávanie kódu CTCSS

Po nájdení aktívneho kanála stlačením PTT tlačidla ⑫ vyberte nájdený aktívny kanál. Teraz si môžete vybrať, či budete hľadať kód CTCSS/DCS, ktorý využíva nájdený používateľ.



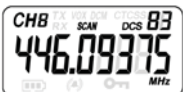
- Stlačte ↵ -tlačidlo ⑦ šesťkrát : na displeji bliká „**SCAN**“ a „**CTCSS 00**“ pre zvolený rádiový kanál.
- Ak chcete spustiť skenovanie CTCSS, stlačte ▲ -tlačidlo ⑪ alebo ▼ -tlačidlo ⑩ .

Keď na kanáli bude prebiehať vysielenie, zistí a zobrazí sa kód CTCSS (ak sa používa).



- Ak stlačíte PTT tlačidlo ⑫ počas počúvania nájdeneho kódu CTCSS, PMR sa vráti späť do pohotovostného režimu na kanáli s kódom CTCSS.
- Ak sa nezistí žiadny kód CTCSS, je možné, že používateľ zvolil DCS. V tom prípade môžete vyhľadávať kód DCS. (čas 13.10.3)

13.10.3 Skenovanie kódu DCS



- Stlačte ↵ -tlačidlo ⑦ sedemkrát : na displeji bliká „SCAN“ a „DCS 00“ pre zvolený rádiový kanál.
- Stlačením ▲ -tlačidla ⑪ alebo ▼ -tlačidla ⑩ spustíte vyhľadávanie DCS.

Ak na kanáli prebieha vysielanie, zistí a zobrazí sa kód DCS (ak sa používa).



Ak stlačíte PTT tlačidlo ⑫ počas počúvania nájdeneho kódu DCS, PMR sa vráti späť do pohotovostného režimu na kanáli s kódom DCS.

13.11 Volacie tóny

Volací tón upozorní ostatných, že chcete začať hovoriť.

13.11.1 Nastavenie volacieho tónu

Twintalker 9500 má 15 volacích tónov.



- Stlačte ↵ - tlačidlo ⑦ osemkrát, zobrazí sa „C“ a bliká aktuálny volací tón.
- Ak chcete volací tón zmeniť, stlačte ▲ - tlačidlo ⑪ alebo ▼ - tlačidlo ⑩ .
- Pre potvrdenie a návrat do pohotovostného režimu stlačte PTT-tlačidlo ⑫ .

13.11.2 Odoslanie volacieho tónu

Krátko stlačte))) tlačidlo ⑥ . Volací tón sa bude vysielajú na nastavenom kanáli.

13.11.3 Typ príjmu volacieho tónu

- Stlačte ↵ -tlačidlo ⑦ deväťkrát.
- Ak chcete vybrať typ príjmu volacieho tónu, stlačte ▲ -tlačidlo ⑪ alebo ▼ - tlačidlo ⑩ .
 1. Iba tón 📢
 2. Tón + vibrácia 📢🔊
 3. Iba vibrácia 📢

Pre potvrdenie a návrat do pohotovostného režimu stlačte PTT -tlačidlo ⑫ .

13.12 Zapnutie/vypnutie potvrdenia „rozumieť“

Po uvoľnení PTT-tlačidla ⑫ vyšle jednotka signál „rozumieť“ ako potvrdenie ukončenia hovoru.



Nastavenie signálu „rozumieť“.

- Stlačte ↵ - tlačidlo ⑦ desaťkrát. Zobrazí sa „rO“.
- Stlačte ▲ tlačidlo ⑪ pre aktiváciu (ON) alebo ▼ tlačidlo ⑩ pre deaktiváciu signálu „rozumieť“ (OFF).
- Stlačením PTT - tlačidla ⑫ potvrdíte svoj výber a vrátite sa do pohotovostného režimu.

13.13 Zapnutie/vypnutie tónu tlačidiel

Po stlačení tlačidla zariadenie krátko zapípa.



Nastavenie tónu tlačidiel.

- Stlačte ↵ tlačidlo ⑦ jedenásťkrát. Zobrazí sa „tO“.
- Stlačením ▲ tlačidla ⑪ aktivujete (ON) alebo ▼ tlačidla ⑩ deaktivujete tóny tlačidiel (OFF).
- Stlačením PTT - tlačidla ⑫ potvrdíte svoj výber a vrátite sa do pohotovostného režimu.

13.14 Funkcia duálneho sledovania kanálov

V pohotovostnom režime je zariadenie PMR nastavené na jeden kanál s kódom CTCSS/DCS. PMR bude dostávať iba signály vysielané na tomto kanáli s kódom CTCSS/DCS.

Duálne sledovanie kanálov (DCM) vám umožňuje sledovať druhý kanál s kódom CTCSS/DCS.

- Stlačte ↵ -tlačidlo ⑦ dvanásťkrát, na displeji bude blikať „DCM OFF“.
- Ak chcete zmeniť kanál, stlačte ▲ - tlačidlo ⑪ alebo ▼ - tlačidlo ⑩ .
- Stlačením ↵ -tlačidla ⑦ potvrdíte výber kanála a prejdite do výberu CTCSS. (Ďalším stlačením ↵ -tlačidla ⑦ prejdite na výber DCS)
- Stlačením ▲ -tlačidla ⑪ alebo ▼ -tlačidla ⑩ zmeňte kód CTCSS alebo kód DCS.
- Pre potvrdenie a návrat do pohotovostného režimu stlačte PTT-tlačidlo ⑫ .
- Ak chcete zablokovať túto funkciu, zvolte pri nastavovaní kanála DCM možnosť „OFF“ (vypnuté).



Ak je aktívna funkcia monitorovania dvoch kanálov, vysielacia bude postupne prepínať medzi pohotovostným kanálom + kódom CTCSS/DCS a duálnym kanálom + kódom CTCSS/DCS.

13.15 Zablokovanie tlačidiel



- Stlačením a podržaním ↵ -tlačidlo ⑦ tri sekundy aktivujete režim zablokovania tlačidiel. Na displeji LCD sa zobrazí ikona zablokovania tlačidiel.
- Znovu stlačte a podržte ↵ -tlačidlo ⑦ tri sekundy a blokovanie tlačidiel sa deaktivuje



Keď je blokovanie tlačidiel aktivované, PTT -tlačidlo ⑫, •) -tlačidlo ⑥ a ⏻ -tlačidlo ① bude stále funkčné.

13.16 Podsvietenie displeja

Ak chcete aktivovať podsvietenie displeja LCD, stlačte ľubovoľné tlačidlo okrem tlačidla PTT ⑫ alebo tlačidla •) ⑥.

Podsvietenie displeja bude aktívne po dobu 6 sekúnd.

14 Pripojenie slúchadiel

Konektor je umiestnený v hornej časti jednotky ②.

Zasuňte koncovku slúchadiel do konektora (2,5 mm koncovka).

Malé tlačidlo na slúchadle má takú istú funkciu ako PTT - tlačidlo ⑫ na jednotke

Ak používate PTT - tlačidlo ⑫ na slúchadle, hovorte do mikrofónu na drôte slúchadla.



Nepripájajte iné slúchadlá. Zariadenie sa tým môže poškodiť.

15 Odstraňovanie problémov

Zariadenie nie je napájané	Očistite kontakty batérie mäkkou handričkou. Vymeňte batérie.
Nefunguje vysielanie	Pred začatím hovoru sa uistite, že je tlačidlo PTT ⑫ úplne stlačené. Sledujte aktivitu kanála a ak sa súčasný kanál používa, prepnite na iný kanál.
Nefunguje príjem	Skontrolujte hlasitosť reproduktora. Uistite sa, či sa nachádzate v dosahu príjmu odosielateľa signálu a v prípade potreby zmeňte svoju polohu.
Obmedzený dosah a šum pri prenose	Dosah pri hovore závisí od terénu. Na dosah majú zlý vplyv oceľové konštrukcie, betónové budovy alebo používanie vo vozidlách. Snažte sa vyhýbať čo najviac prekážkam a komunikujte pri priamej viditeľnosti. Zmeňte svoje polohy.
Interferencia	Vzdialenosť prijímača a vysielača je príliš malá. Minimálna vzdialenosť medzi 2 jednotkami je 1,5m.

16 Technické špecifikácie

Kanály	8
Druhotný kód	CTCSS 38 / DCS 83
Frekvencia	446,00625MHz - 446,09375 MHz
Dosah	Max. 10 km (otvorený priestor)
Batéria	Li-ion 3,7 V nabíjateľná
Vysielací výkon	=< 500mW ERP
Typ modulácie	FM - F3E
Odstup kanálov	12,5 kHz
Adaptér dvojitej nabíjačky	Vstup: 230 V AC / 50Hz - Výstup: 7,5 V DC / 750mA

Channel Frequency Chart:		CTCSS Code Chart							
Channel	Frequency (MHz)	Code	Frequency (Hz)	Code	Freq. (Hz)	Code	Freq. (Hz)	Code	Freq. (Hz)
1	446,00625	0	Disabled	10	94,8	20	131,8	30	186,2
2	446,01875	1	67,0	11	97,4	21	136,5	31	192,8
3	446,03125	2	71,9	12	100,0	22	141,3	32	203,5
4	446,04375	3	74,4	13	103,5	23	146,2	33	210,7
5	446,05625	4	77,0	14	107,2	24	151,4	34	218,1
6	446,06875	5	79,7	15	110,9	25	156,7	35	225,7
7	446,08125	6	82,5	16	114,8	26	162,2	36	233,6
8	446,09375	7	85,4	17	118,8	27	167,9	37	241,8
		8	88,5	18	123,0	28	173,8	38	250,3
		9	91,5	19	127,3	29	179,9		

DCS Code Chart							
No	DCS code	No	DCS code	No	DCS code	No	DCS code
0	Disabled	21	134	42	311	63	516
1	23	22	143	43	315	64	532
2	25	23	152	44	331	65	546
3	26	24	155	45	343	66	565
4	31	25	156	46	346	67	606
5	32	26	162	47	351	68	612
6	43	27	165	48	364	69	624
7	47	28	172	49	365	70	627
8	51	29	174	50	371	71	631
9	54	30	205	51	411	72	632
10	65	31	223	52	412	73	654
11	71	32	226	53	413	74	662
12	72	33	243	54	423	75	664
13	73	34	244	55	431	76	703
14	74	35	245	56	432	77	712
15	114	36	251	57	445	78	723
16	115	37	261	58	464	79	731
17	116	38	263	59	465	80	732
18	125	39	265	60	466	81	734
19	131	40	271	61	503	82	743
20	132	41	306	62	506	83	754

17 Záruka spoločnosti Topcom

17.1 Záručná doba

Na zariadenia Topcom sa poskytuje 24-mesačná záručná doba. Záručná doba začína plynúť dňom zakúpenia nového zariadenia. Na štandardné ani nabíjateľné batérie (typ AA/AAA) sa žiadna záruka nevzťahuje.

Záruka sa nevzťahuje na spotrebné materiály a chyby, ktoré majú zanedbateľný vplyv na prevádzku alebo hodnotu zariadenia. Pri uplatnení záruky je nutné predložiť originál alebo kópiu dokladu o zakúpení, na ktorom je vyznačený dátum zakúpenia a model zariadenia.

17.2 Uplatnenie a plnenie záruky

Pokazené zariadenie sa musí vrátiť do autorizovaného servisného centra spoločnosti Topcom spolu s platným dokladom o zakúpení. Ak sa chyba vyskytne počas záručnej doby, spoločnosť Topcom alebo jej oficiálne autorizované servisné centrum bezplatne odstráni všetky poruchy spôsobené chybami materiálu alebo výroby, a to buď opravením alebo výmenou nefunkčných zariadení či súčiastok nefunkčných zariadení. V prípade výmeny sa farba a model môžu líšiť od pôvodne zakúpeného zariadenia.

Deň zakúpenia výrobku je prvým dňom záručnej doby. Oprava alebo výmena výrobku spoločnosťou Topcom alebo jej poverenými servisnými centrami nepredlžuje záručnú dobu.

17.3 Výnimky zo záruky

Záruka nepokrýva poškodenia alebo chyby spôsobené nesprávnym zaobchádzaním alebo použitím a poškodenia, ktoré sú dôsledkom použitia neoriginálnych častí alebo príslušenstva. Záruka sa nevzťahuje na poškodenie spôsobené vonkajšími faktormi, ako je blesk, voda či oheň, ani na poškodenia spôsobené pri preprave. Záruka sa nemôže uplatniť, ak bolo výrobné číslo na zariadení zmenené, odstránené alebo je nečitateľné. Akýkoľvek nárok na záruku bude neplatný, ak bol prístroj opravovaný, zmenený alebo upravený osobou, ktorá ho zakúpila.

TOPCOM[®]

Visit our website
www.topcom.net