

GEEMARC

CLEAR SOUND™

HEAR THE DIFFERENCE

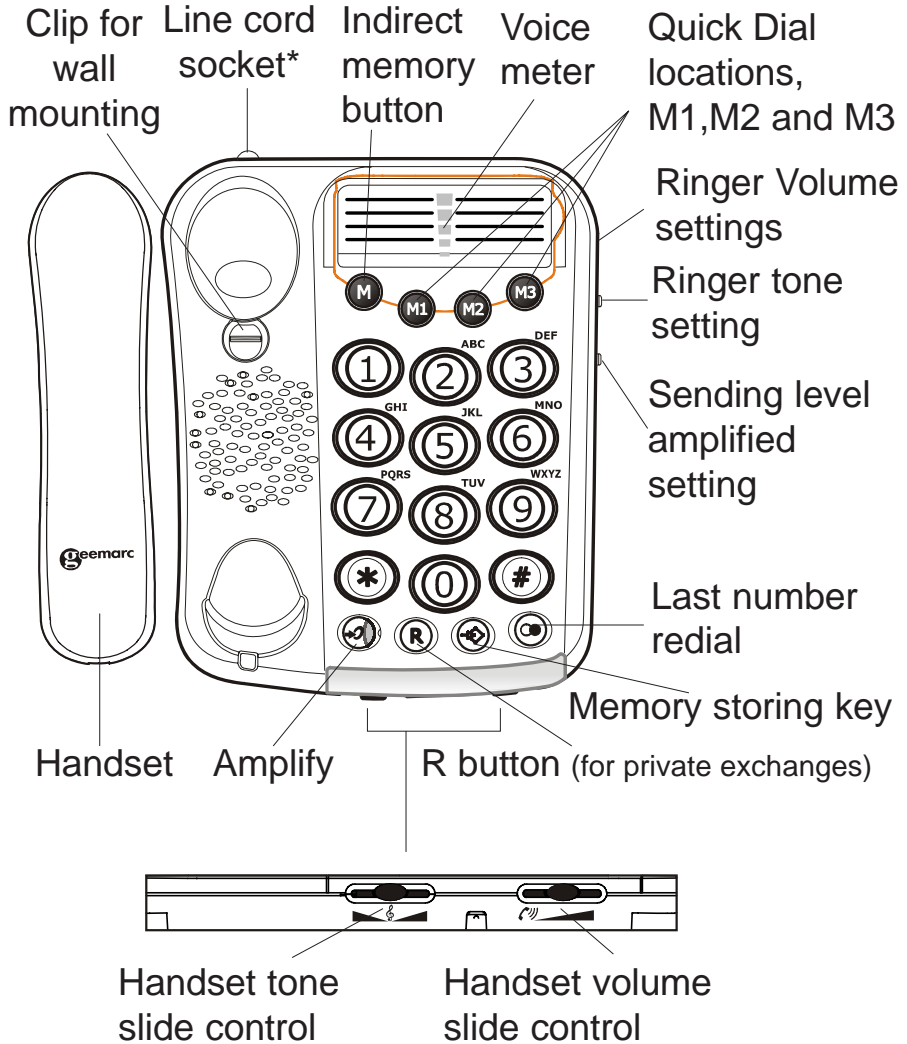
DALLAS 100 VM

AMPLIFIED TELEPHONE WITH
OUTGOING VOICE MODULATION



DESCRIPTION

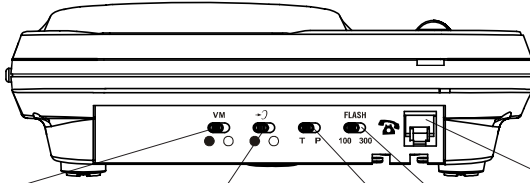
GENERAL DESCRIPTION



(*) Classified TNV-3 according to EN60950 standard.

DESCRIPTION

REAR



Voice level
meter setting

Amplify
default
setting

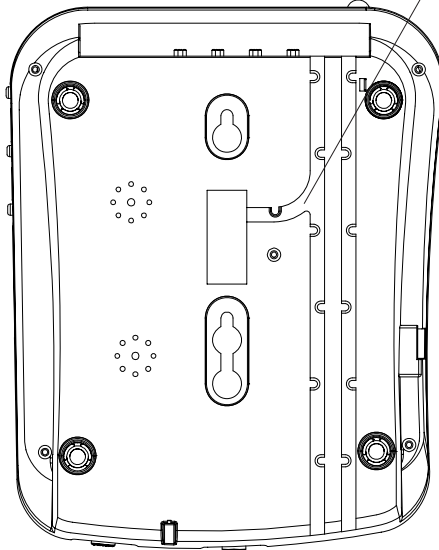
Dialing
mode
setting

Flash
setting

Telephone
line socket

BASE

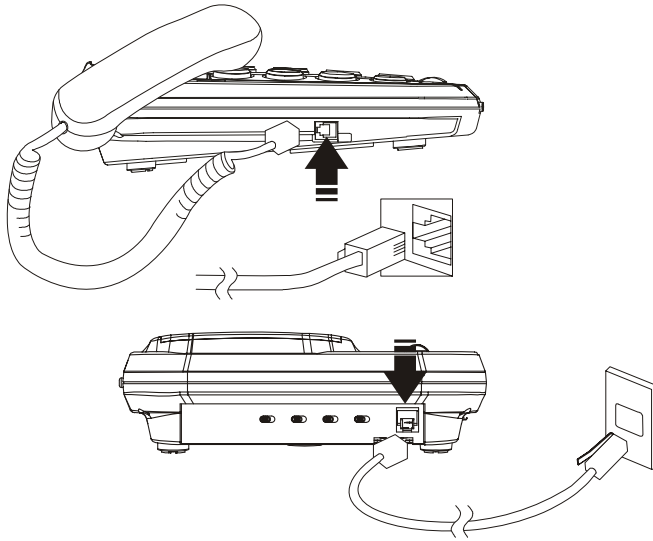
Thread the line cord
through this groove



SETTING UP

1 - CONNECTING TELEPHONE

- 1 - Connect the handset cord.
- 2 - Connect the line cord to the socket located at rear of telephone then connect the PTT plug*.



(*) Classified TNV-3 according to EN60950 standard.

2 - RINGER VOLUME SETTING

A switch located on the right side allows the ringer to be switched to HI, LOW or OFF



SETTING UP

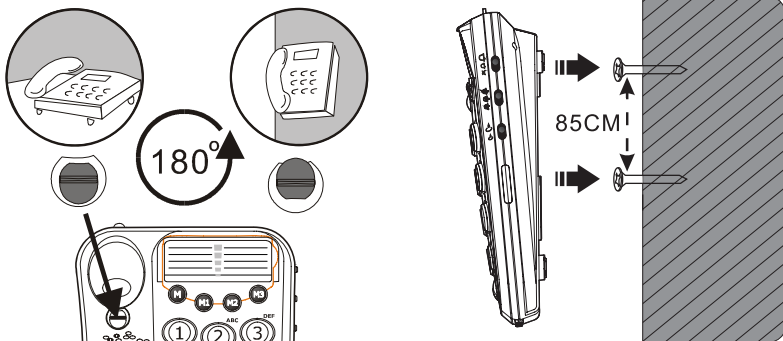
3 - RINGER TONE SETTING

A switch located on the right side allows the melody to be switched to HI, Middle or LOW.



4 - WALL MOUNTING

To wall-mount your telephone, slide out the clip turn around and slide back into the wall mounting position (located in the base unit, just below the ear piece). This will ensure that the handset stays firmly in position. Make 2 holes in the wall 85mm apart, insert the wall plugs and the wall mounting screws. The screws should protrude from wall by 6-7 mm. Place the phone onto the screw-heads and slide down to secure.



SETTING UP

5 - TONE/PULSE SWITCH (T/P)**

The Tone/Pulse switch is factory pre-set to Tone position (T). In the UK, all telephone exchanges now use Tone dialing. If your phone does not dial out it is probably being used from an older private switch board (PBX). In this case, the Tone/Pulse switch must be moved to Pulse (P).



** Please note that this switch is not to be moved after setting.


USING THE PHONE

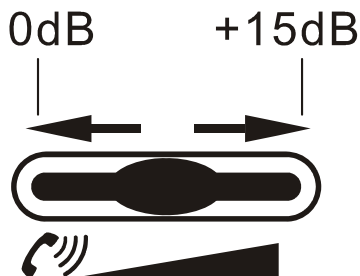
1 - ANSWERING INCOMING CALL

- When an incoming call is received the phone will ring and flash. To answer the call lift the handset and speak.
- On completion of the call, carefully replace the handset in the cradle to release the line.

2 - VOLUME RECEIVING ADJUSTMENT

You can increase the volume according to your own hearing requirements.

Use the  button, located on the front side, to adjust the level according to your own hearing requirements.



USING THE PHONE

3 - TONE RECEIVING ADJUSTMENT

If the receiver volume has been amplified, the tone control can also be adjusted. You can adjust and increase the low frequency or high frequency sounds with the tone slide control on the front edge of the unit.





Note: The tone adjustment function will not be effective when the receiver volume is set to normal level.

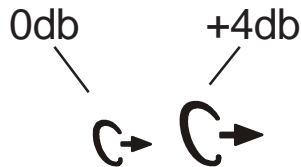
4 - MAKING A CALL

- Lift the handset.
- Await the dial tone and dial required number.
- On completion of the call, carefully replace the handset in the cradle.


USING THE PHONE

5 - SENDING LEVEL ADJUSTMENT

If your voice is quiet or called parties have difficulty hearing you, you can increase the sending level volume with the switch   located on the right side.



6 - LAST NUMBER REDIAL

- Lift the handset.
- Await the dial tone and press  button.
- The previously dialled number will be automatically redialled (not in use for memory numbers).



7 - R , * & # BUTTONS

These are used with the new services provided on digital exchanges. For details please contact your network operator.

USING THE PHONE

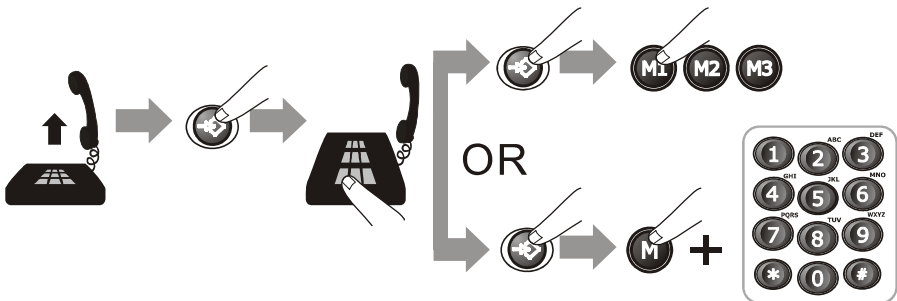
8 - STORING TELEPHONE NUMBERS

Your phone can store 3 direct and 10 indirect memories (16 digits maximum for each memory).

- Lift the handset.
- Press  button.
- Dial the telephone number you wish to store.
- Press  button.
- Press one of the direct memory buttons, **M1**, **M2**, **M3**.

Or press **M** and any button **0** to **9** on the key pad under which you wish to store the telephone number in indirect memory.

- Replace the handset.



Note : Numbers will be lost if you disconnect your phone. Entering a new number in memory will automatically erase the previous number.

USING THE PHONE


9 - DIALLING STORED NUMBER

- Lift the handset and await the dial tone.
- Press appropriate direct memory button **M1**, **M2**, or **M3**. The stored number will be dialled out automatically.

Or press the **M** button followed by the keypad **0** to **9** button under which the desired number is stored. The stored number will be dialled out automatically.

To register your stored phones numbers, use the index located on the base.

10 - VOICE METER FUNCTION

Push  switch to adjust voice level meter ON

● and OFF ○.

On mode:

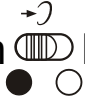
When unit is off-hook, the voice meter LEDs inside the memory card cover will indicate the outgoing voice level on telephone line.

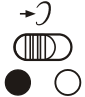
Off mode:

When unit is off-hook, the voice meter is turned off.


USING THE PHONE

11 - AMPLIFICATION SETTING

a. Set the AMPLIFY Switch  located at rear side of unit to ON ● position, the Amplification is auto on when handset is lifted.

b. Set the AMPLIFY Switch  to OFF ○ position, the Amplification is off when handset is lifted.

12 - RECEIVE VOLUME AMPLIFICATION

When unit is off-hook, press the  button to toggle the amplification On & Off

Amplification On:

When amplification is on, the corresponding LED on, +15dB extra amplification is applied to the handset receive volume control.

Amplification Off:

When amplification is off, the corresponding LED is off, no extra amplification to the handset receive volume control.

USING THE PHONE

13 - FLASH TIME SETTING

a. Set the flash Switch located at **rear side** of unit .set to 100ms position (for UK), the time is auto set in 100ms mode when handset is lifted.

b. Set the flash Switch to 300ms position (for French), the time is auto set in 300ms mode when handset is lifted.

FLASH



100 300

GUARANTEE

From the moment your Geemarc product is purchased, Geemarc guarantee it for the period of one year. During this time, all repairs or replacements (at our discretion) are free of charge. Should you experience a problem then contact our help line or visit our website at www.geemarc.com. The guarantee does not cover accidents, negligence or breakages to any parts. The product must not be tampered with or taken apart by anyone who is not an authorized Geemarc representative. The Geemarc guarantee in no way limits your legal rights.

IMPORTANT: YOUR RECEIPT IS PART OF YOUR GUARANTEE AND MUST BE RETAINED AND PRODUCED IN THE EVENT OF A WARRANTY CLAIM.

Please note: The guarantee applies to the United Kingdom only

DECLARATION: Geemarc Telecom SA hereby declares that this product is in compliance with the essential requirements and other relevant provisions of the Radio and Telecommunications Terminal Equipment Directive 1999/5/EEC and in particular article 3 section 1a, 1b and section 2. The telephone does not operate if the line current is lower than 18 mA.

The declaration of conformity may be consulted at www.geemarc.com



Telephone connection: Voltages present on the telecommunication network are classified TNV-3 (Telecommunication Network Voltage) according to the EN60950 standard.

RECYCLING DIRECTIVES

The WEEE (Waste Electrical and Electronic Equipment) has been put in place for the products at the end of their useful life are recycled in the best way.

When this product is finished with, please do not put it in your domestic waste bin.

Please use one of the following disposal options:

- Remove the batteries and deposit them in an appropriate WEEE skip. Deposit the product in an appropriate WEEE skip.
- Or, hand the old product to the retailer. If you purchase a new one, they should accept it.

Thus if you respect these instructions you ensure human health and environmental protection.



For product support and help visit our website at

www.geemarc.com

Telephone **01707 384438**

Or fax **01707 372529**



UGDALLAS 100 VM_EN_V.1.0

geemarc UK

5 Swallow Court
Swallowfields
Welwyn Garden City
Hertfordshire, AL7 1SB
For product support:
01707 384438

www.geemarc.com

geemarc France

Parcdel'Etoile
2, rue Galilée
59760 Grande Synthé
TEL. SERVICE APRES VENTE:
03 28 58 75 99

www.geemarc.com

geemarc Germany

Walter Kolb Str. 9-11
60594 Frankfurt am Main
Deutschland
Tel: 069 / 96 217 635
Fax: 069 / 96 217 620

www.geemarc.com