

APPLICATION Note

TELECOM SOLUTIONS FOR THE 21ST CENTURY

**K-202-DVA, RC-2A,
RC-3 Compatibility**

August 9, 2013

K-202-DVA Compatibility with RC-2A and RC-3



Model RC-2A
(DOD# 165)



Model RC-3
(DOD# 160)

The K-202-DVA digital announcer is designed to be fully compatible with the Viking models **RC-2A** and **RC-3** remote DTMF controllers. No conflicts between the devices will occur, provided that both units are accessed using the operation and programming guidelines described below.



Model K-2000-DVA
(DOD# 303)

Important Potential Conflicts: The **RC-3** may be programmed while on-line with the **K-202-DVA**. However, due to potential touch tone conflicts, programming of the **K-202-DVA** should **NOT** be attempted while on-line with the **RC-2A** or **RC-3**.

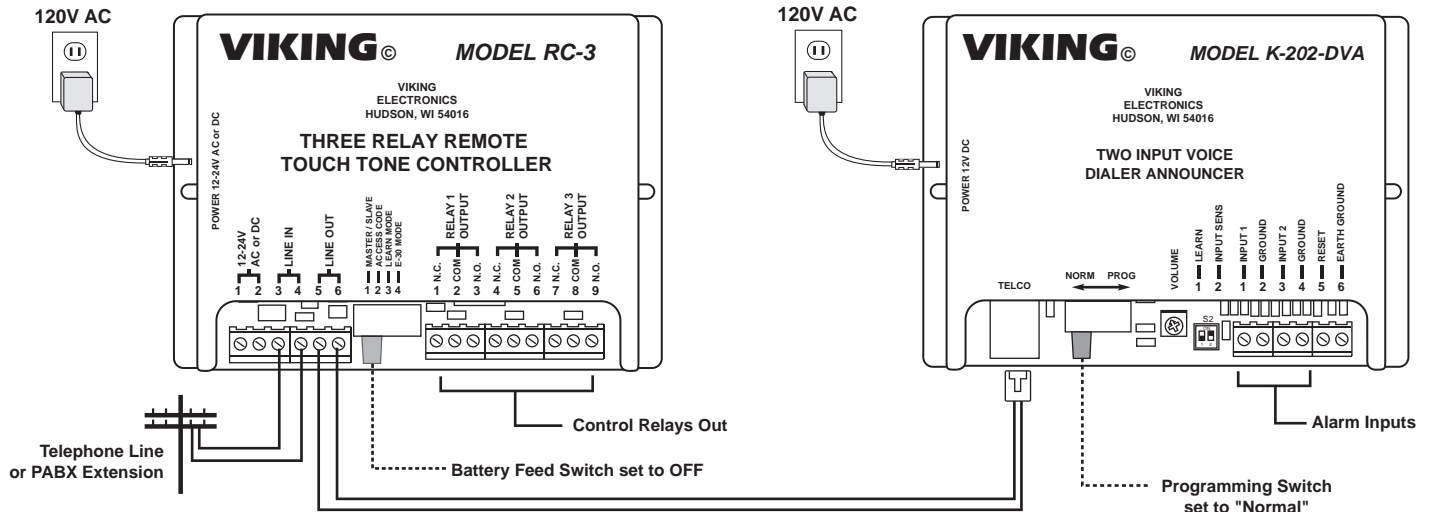
<http://www.vikingelectronics.com>

Phone... 715.386.8861

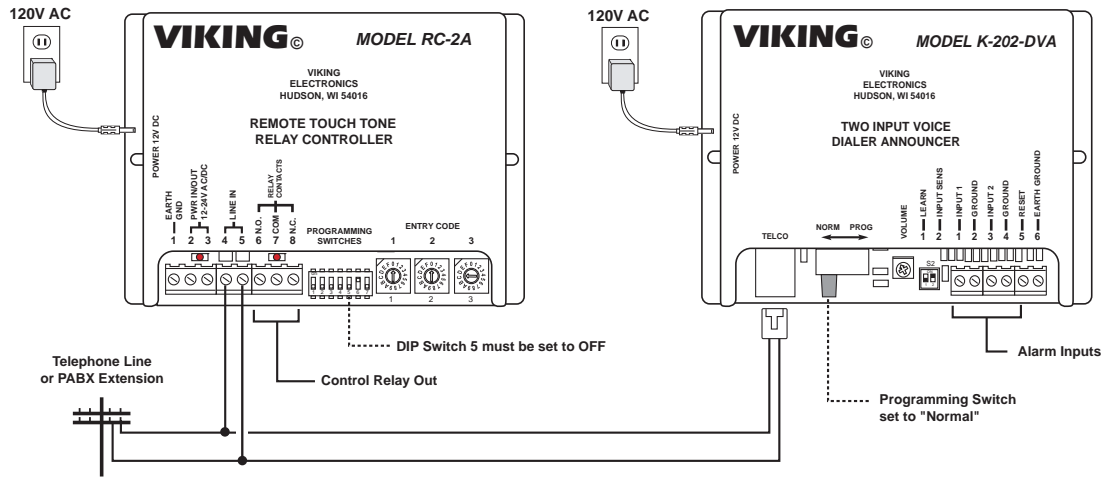
info@vikingelectronics.com

Installation

A. Installing the K-202-DVA with the RC-3



B. Installing the K-202-DVA with the RC-2A



Programming / Operation

A. Definitions

Reporting Mode: The mode of operation in which the **K-202-DVA** has been triggered to dial out, for purposes of making contact with a party.

Polling Mode: The mode of operation in which a calling party has called into the **K-202-DVA** for purposes of retrieving or clearing stored messages.

B. Configuring the RC-2A / RC-3 for use with the K-202-DVA

1. The **RC-2A** or **RC-3** security or access code must be enabled.
2. Security and/or access code(s) for **RC-2A** or **RC-3** must differ from those of the **K-202-DVA**.
3. The **RC-2A** or **RC-3** should be set for maximum ring delay (15 rings for **RC-2A**, 31 rings for **RC-3**).

C. Configuring the K-202-DVA for use with the RC-2A or RC-3

1. The security and access codes for the **K-202-DVA** must differ from those of the **RC-2A** or **RC-3**.
2. The **K-202-DVA** must be set to answer in fewer rings than the **RC-2A** or **RC-3**.

D. Accessing the K-202-DVA

1. While the K-202-DVA is in the "Polling Mode"

- a. Call into the **K-202-DVA** and **RC-2A/RC-3** combination.
- b. When the **K-202-DVA** answers, enter * + the 6 digit access code for the **K-202-DVA**. Two beeps will be heard from the **K-202-DVA**. The **K-202-DVA** may now be operated normally.

2. While the K-202-DVA is in the "Reporting Mode"

If the **K-202-DVA** is in the "Reporting Mode", the **K-202-DVA** may be operated normally.

E. Accessing the RC-2A/RC-3

1. While the K-202-DVA is in the "Polling Mode"

- a. Call into the **K-202-DVA** and **RC-2A/RC-3** combination.
- b. When the **K-202-DVA** answers, enter * + the 6 digit access code for the **K-202-DVA**. Then enter * + the 3 or 6 digit access code for the **RC-2A** or **RC-3** respectively. The **RC-2A/RC-3** may now be operated normally. **Note:** The (**RC-2A/RC-3**) "force hang-up" command will not automatically release the line; the user must hang up.

2. While the K-202-DVA is in the "Reporting Mode"

Enter * + the 3 or 6 digit access code for the **RC-2A** or **RC-3** respectively. The **RC-2A/RC-3** may now be operated normally. **Note:** The (**RC-2A/RC-3**) "force hang-up" command will not automatically release the line; the user must hang up.

Product Support Line...715.386.8666

Fax Back Line...715.386.4345

Due to the dynamic nature of the product design, the information contained in this document is subject to change without notice. Viking Electronics, and its affiliates and/or subsidiaries assume no responsibility for errors and omissions contained in this information. Revisions of this document or new editions of it may be issued to incorporate such changes.