

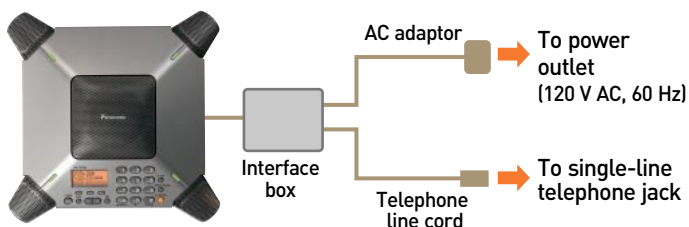
Specifications

Conference Recording Speakerphone System	KX-TS730
General	
Color	Titanium Silver
Number of Phone Lines	1
Full Duplex Conference	Y
Language	English/Spanish
12 keypad	Y
Caller ID	Y
Caller ID Memory	50
Phone Book	100
Dialer Storage Capacity (# of digits per station)	32
Conference Recording	120 min (up to 64 items)
NEW Message Playback	Y
ALL Message Playback	Y
FF/REV/Stop	Y
Skip/Repeat	Y
ALL/Individual Erase	Y
Mute	Y
Flash	Y
Pause	Y
Redial	Y
History Redial	10
Ringer Patterns	3
Ringer Volume	Off, Low, Mid, High
SP-Phone Volume	16 Steps
LCD	Full Dot
LCD Contrast	6 Levels
Programmable Tone/Pulse	Y
Status Indicator LED	Green : Talk, Red : Mute
Microphone	
Microphones	2 x 4 couples (300 - 3500 Hz)
High Precision Digital Echo Canceller	Y
Automatic Mic Selection	Y
Noise Reduction System	Surrounding / Line Noise
Loudspeaker	
Frequency Response	300 - 3500 Hz
Neodymium Magnet	Y
Effective Digital Amplifier	Y
Loud Speaker Sound	94dBASPL / 0.5m
Interface	
Audio Out Jack (for external recording device)	Y
Speakerphone Unit Dimensions	
Height (mm)	64
Width (mm)	279
Depth (mm)	279
Weight (g)	970
Interface Box Unit Dimensions	
Height (mm)	32
Width (mm)	67
Depth (mm)	76
Weight (g)	60

Controls and Display



System Diagram



Note:

- Use only provided Panasonic AC adaptor PQLV10 (9V/850 mA) for proper product operation. In case of power outage, this product will not work.
- The AC adaptor must remain connected at all times. (It is normal for the adaptor to feel warm during use.)
- The AC adaptor should be connected to a vertically oriented or floor-mounted AC outlet. Do not connect the AC adaptor to a ceiling-mounted AC outlet, as the weight of the adaptor may cause it to become disconnected.

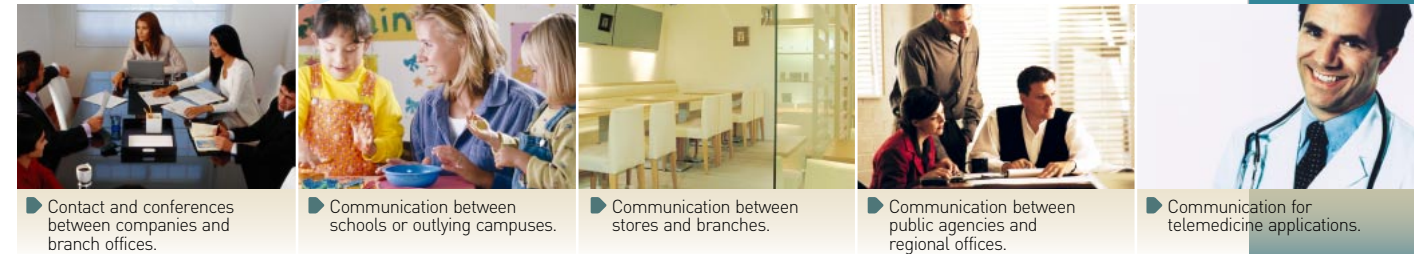


The Expert in Remote Communications

"Super-Sensitive, High-Fidelity Conference Speakerphone"

Have you ever tried recording an important meeting with members in distant locations, and ended up with voices so poor that you couldn't understand what was said? Well, Panasonic has solved your problem with the super-sensitive, high-quality TS730 Conference Speaker Phone. The TS730 lets you conduct crystal-clear meetings by simply connecting it to an analog phone line. New functions like high-performance microphones and high-precision echo cancellers ensure that your company's long-distance communication sessions get recorded in their entirety with clear, sharp sound. Since you don't have to worry about your communication system anymore, you can concentrate fully on your meeting.

Sample Applications

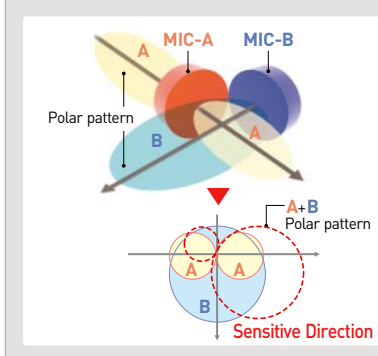


Complete Recording Even for 20-Person Meetings Highly Sensitive Mid-Side Microphones

The TS730 eliminates recording gaps where voices from only certain directions are captured, while those from other directions are not. Two highly sensitive Hyper Cardioid Microphones, each with different performance characteristics, work together as a pair. What's more, the mic unit consists of four sets of paired microphones, making a total of eight, to collect sound in 360 degrees. This eliminates recording gaps even in meetings of around 20 people, helping to reduce travel expenses and saving time for long-distance, medium-scale meetings.



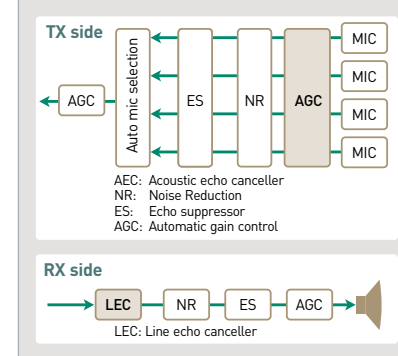
Polar Pattern & Sensitive Direction



Sound-Distorting Echoes Suppressed High-Precision Digital Echo Cancellers

The quality of recorded meetings or lectures drops significantly when the sound is distorted by echoes or background noise. To control echoes in the TS730, isolated acoustic echo cancellers are provided for each of the four microphone pairs. Echo remnants are further checked by noise reduction and echo suppressors to transmit ultra-clear sounds. A circuit echo canceller is also provided for the receiving side. This combines with the noise reduction and echo suppressors to boost clarity even more during reproduction. In conference rooms with good acoustic conditions (reverberation time: 0.5 second, noise level: 48 dBA max.), this enables full duplex communication.

Digital Echo Canceller



Rich Sound with Minimal Distortion Efficient Digital Amplifier

Enjoy rich playback sound with minimal noise and distortion. The TS730 suppresses the noise that

often affects small signals in the input stage of conventional analog circuits. Sounds in the range of the human voice are efficiently picked up, and a high-output digital amp keeps them crisp and clear.

Optimal Sound Pick-Up Auto Mic Selection

The direction of the person speaking is detected, and the sensitive Hyper Cardioid Microphones are automatically selected to optimize the sound-collecting conditions. You get clearer sounds and less noise.



Super-Clear Sound Reproduction High-Performance Neodymium Speaker Unit

The magnetic flux density and ferromagnetic power of the neodymium magnet used in the TS730 far exceeds those of

conventional ferrite magnets. This heightens the speaker response to produce truly crisp, clear playback sounds. No more having to strain just to hear what was said, or playing back the same portions repeatedly to figure out the conversation.

Even Tiny Sounds Are Easy to Hear Two-Way Noise Reduction

This function reduces environment and line noise on both transmitting and receiving sides. This lowers offensive noises to make sounds even clearer, so even minute sounds are easy to hear.

Long-Time, Good-Quality Conference Recording Auto-Recording Level Adjuster & ADPCM Recording

Even when the volumes of the transmitting and receiving sides change, the recording level is automatically optimized. Also, in addition to the long recording time capability of up to 120 minutes, ADPCM digital recording ensures high sound quality with minimal noise.

Instant Caller Identification Caller ID/Phonebook

The Caller ID function displays caller information in the LCD so you know who should answer the phone in advance. The call history also makes it easy to call back, making your work easier. Up to 50 numbers can be registered in the Phonebook. By registering the phone numbers of main stores, branch offices and customers, you can have quick and easy access even when there are many people involved in the conference.

