

Add Peripherals without Changing Your Phone System



The **C-1000** Controller dramatically expands the potential installation sites for many peripherals such as doorboxes and paging amplifiers.

Doorboxes and paging amplifiers can now be used on single line, residential or home office applications as well as on fully loaded systems, because they are no longer limited to installation on unused trunk ports.

The **C-1000** allows single line phones or phone systems to share a phone line with one or two doorboxes or paging amplifiers. In addition, the **C-1000** provides two Touch Tone controlled contact closures to operate door strikes or gate openers.

<http://www.VikingElectronics.com>

[E-mail...Sales@VikingElectronics.com](mailto:Sales@VikingElectronics.com)

Features

- Allows two Viking doorboxes to share a telephone line with a residential or business telephone system
- May be used with single line telephones, PABX systems, Electronic key systems or 1A2 Key systems
- **Custom ringing mode distinguishes doorbox calls from C.O. calls**
- Call waiting tones indicate which doorbox is calling and distinguish a doorbox call from a C.O. line call
- Calls can be placed on hold when visitors call from the doorbox
- Provides (2) Touch Tone controlled N.O. and N.C. dry contact closures for door strikes or gate openers
- Compatible with pulse or Touch Tone phones

Made in the U.S.A.

Applications

- Add one or two Viking Doorboxes to your home or office phones
- Add paging amplifiers to provide loud ringing and paging to offices with single line phones or fully loaded phone systems
- Provide commercial or residential security via two-way handsfree communication at the door and gate
- Use as a line concentrator (one answering machine can answer three lines)

Sales...(715) 386 - 8861

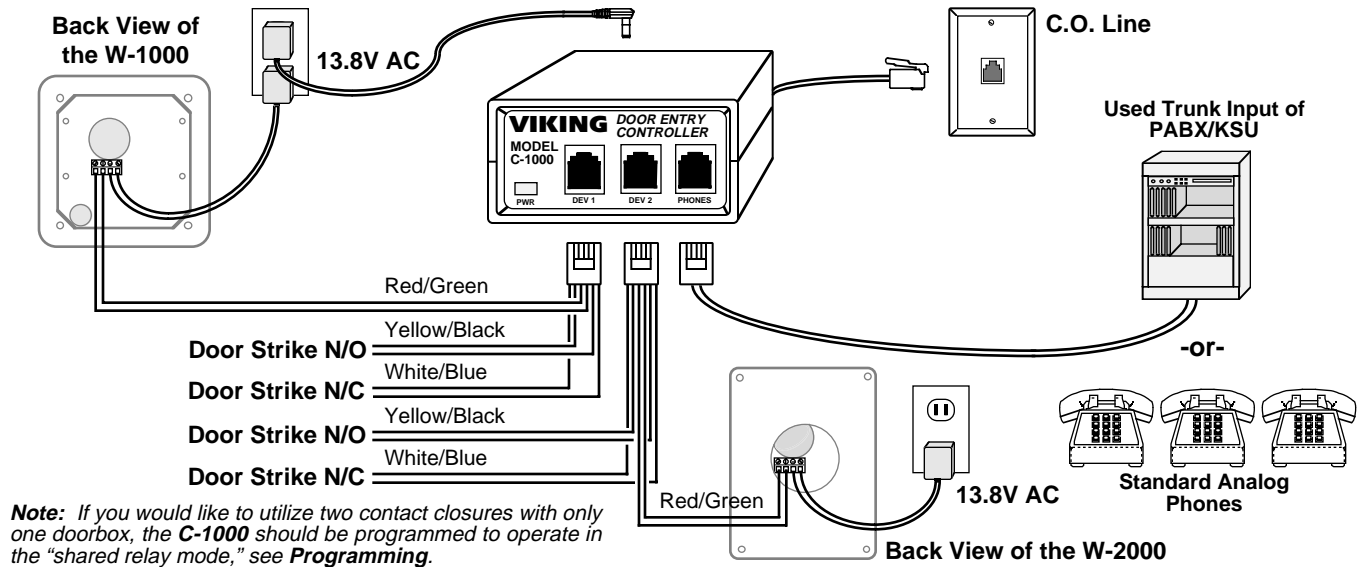
Specifications

Power: 120V AC/12V DC 500mA, UL listed adapter provided
Dimensions: 119mm x 71mm x 36mm (4.7" x 2.8" x 1.4")
Shipping Weight: 0.4 kg (0.86 lbs)
Environmental: 0° C to 32° C (32° F to 90° F) with 5% to 95% non-condensing humidity
Relay Contacts: 24V AC/DC .75A maximum
Connections: (3) RJ11 jacks, (1) RJ11 plug
Pulse Dialing Detection: 10 pps

Installation/Applications

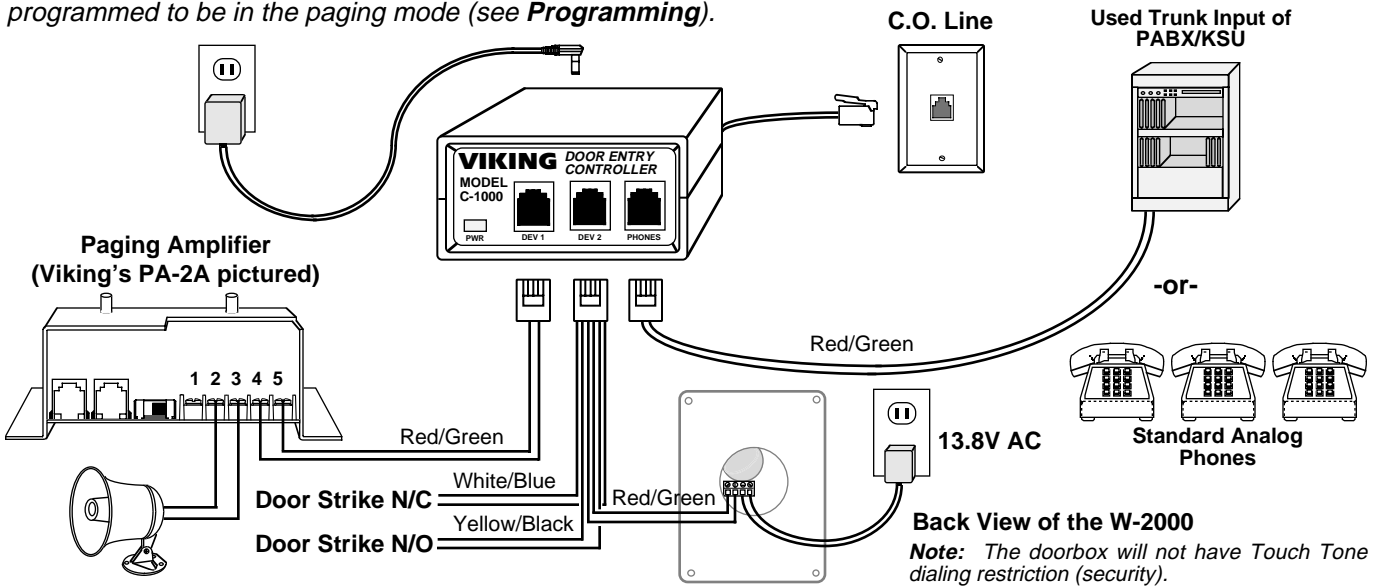
A. Two Doorboxes Sharing a Single Line Phone or C.O. Port

Important: Door strikes should not exceed 24V AC/DC at .75A. Use an external relay for heavier loads.

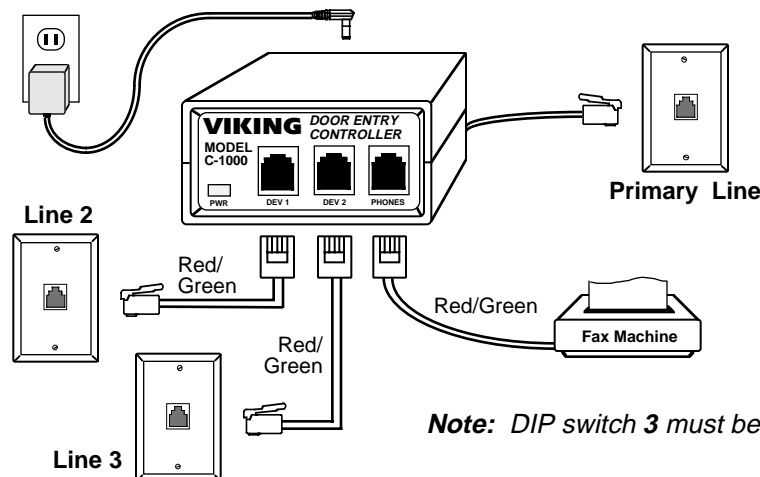


B. Adding Paging to Homes and Small Businesses with Single Line Phones

The C-1000 may be used to provide paging and phone service from single line telephones when used with an amplifier that provides talk battery, such as the PA-2A (Fax Back Document 485). **Note:** The C-1000 must be programmed to be in the paging mode (see **Programming**).



C. One Device Answers Three Lines (Line Concentrator Mode)

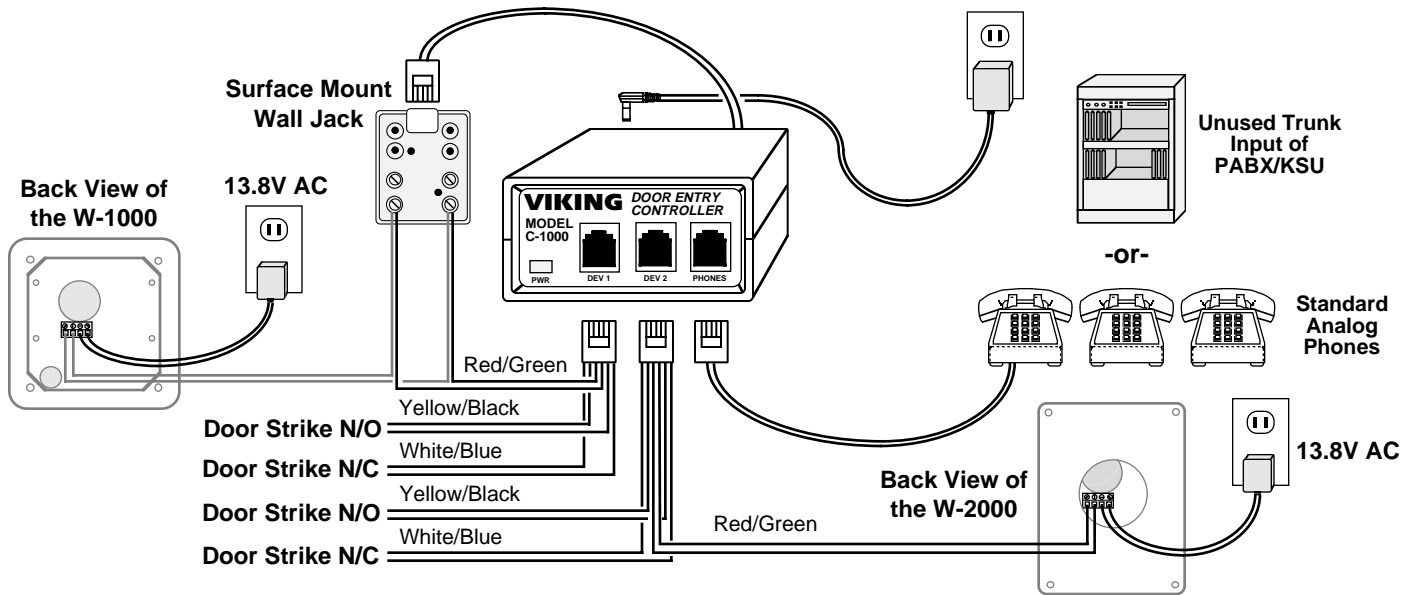


The C-1000 can be used as a line concentrator, allowing you to connect up to three separate C.O. lines to one telecom device. The first ringing line will ring to the "PHONE" port of the C-1000. On outbound calls, the C-1000 will default to the line connected to the line cord. To access the lines connected to "DEV 1" or "DEV 2", simply dial Touch Tones "#1" or "#2" respectively.

Note: DIP switch 3 must be moved to the OFF position.

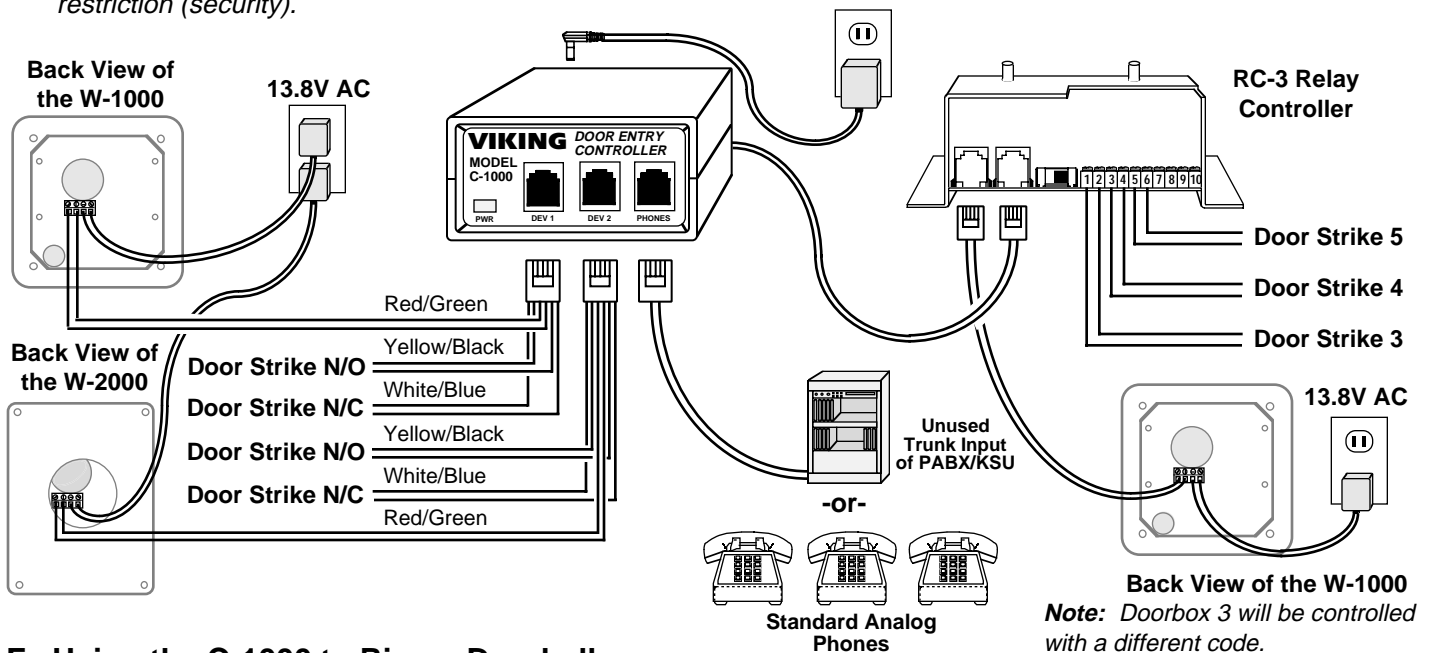
D. Connecting Doorboxes to a C-1000 without a C.O. Line

Note: Doorbox 1 will not have Touch Tone dialing restriction (security).



E. Using the C-1000 with Three Doorboxes and Three or more Door Strikes

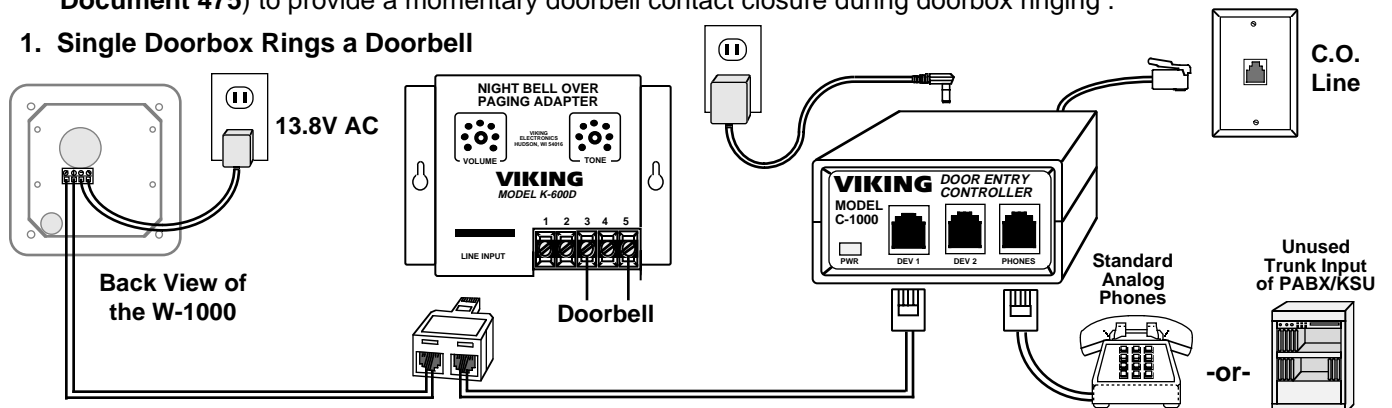
The C-1000 can be used in combination with the RC-3 Remote Controller (Fax Back Document 165) for applications where more than two doorboxes are required. In this configuration, the RC-3 is connected in parallel with doorbox 3 to provide up to three contact closures. *Note: Doorbox 3 will not have Touch Tone dialing restriction (security).*



F. Using the C-1000 to Ring a Doorbell

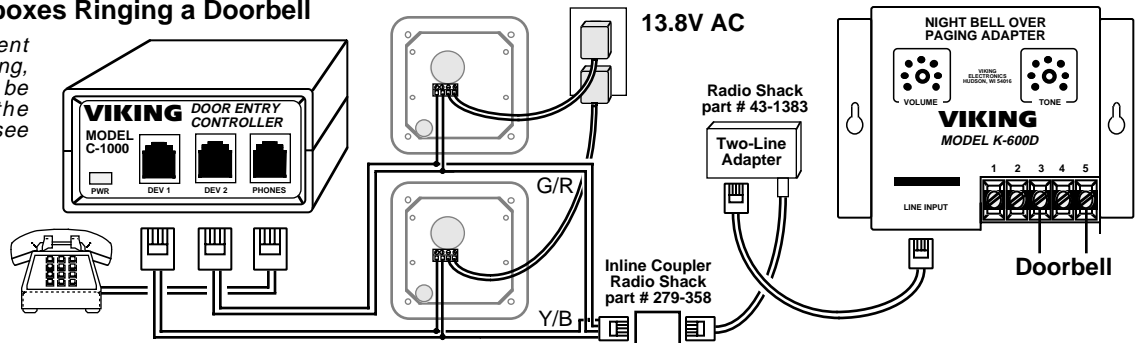
The C-1000 can be connected in combination with the K-600D Night Bell Over Paging Adapter (Fax Back Document 475) to provide a momentary doorbell contact closure during doorbox ringing.

1. Single Doorbox Rings a Doorbell



2. Multiple Doorboxes Ringing a Doorbell

Note: To prevent phones from ringing, the C-1000 could be operated in the doorbell mode, see **Programming**.



Programming

A. Programming the C-1000

- Enter the Programming mode by going off-hook and entering * followed by the security code (factory set to 845464), a double beep will be heard. Alternatively, move DIP switch 2 from OFF to ON while on-hook, then go off hook, a double beep will be heard. **Note:** Call in from another line to avoid C.O. tones.
- To change the security code, enter 6 digits (0 - 9) followed by #47.
- To program the closure time for device 1, enter 2 digits followed by #01 (see chart to right).
- To program the closure time for device 2, enter 2 digits followed by #02 (see chart to right).
- Operation modes may be set while in the programming mode. Follow the steps below:
 - To change programming, reset the C-1000 to factory settings by pressing *0.
 - Change operational modes by entering the codes listed in the chart below left.

Digits	Seconds
00	.5
01	1
02	2
03	3
04	4
05	5
06	6
07	7
08	8
09	9
10	10

Digits	Mode	Description
*0	Factory Default	Sets mode to factory default
*1	Doorbell Mode	Doorbox does not ring through to phones
*2	Custom Ring Mode	Double ring from device ports
*3	Shared Relays Mode	One doorbox utilizes both relay closures
*4	Paging Mode	C.O. line held, allows page, press # to return to line

Switch	Description	ON/OFF
1	ClosureTime	OFF - .5 seconds ON - 10 seconds
2	Learn Mode	OFF - Normal Mode ON - Learn Mode
3	Mode Selection	OFF - Line Concentrator Mode ON - Normal Operation Mode

- To change DIP switches, use the chart to the right.

Operation

A. Placing C.O. Line Calls On Hold

If a C.O. line call is in progress and a doorbox is initiated, a single or double "call waiting" tone will be heard indicating doorbox 1 (DEV 1) or doorbox 2 (DEV 2) is calling. To place the in-progress call on hold and answer the calling doorbox, simply dial a Touch Tone "#", pulse dial a "2" or hook flash twice.

B. Activating the Door Strike

To activate a relay contact, you must be communicating with a doorbox. Simply Touch Tone dial "* *", pulse dial a "3" or hook flash three times. Two confirmation tones will be heard and the relay will be activated for the programmed contact closure time. The phone will then be returned to the C.O. line and the original caller will be taken off hold to continue the conversation. To return to the original call without activating a relay, Touch Tone dial "#", pulse dial a "2" or hook flash twice.

C. Monitoring A Doorbox

A doorbox may be turned on for monitoring purposes by Touch Tone dialing a "#" followed by a Touch Tone "1" or "2" to activate doorbox 1 or doorbox 2 respectively. This feature is not available for pulse dialing phones.

Note: Do not attempt doorbox monitoring while a call is in progress, the call will be disconnected.

D. Features

Note: When on the C.O., if a Touch Tone other than # is entered, any additional Touch Tones in that dial string will be ignored. To regain control of the C-1000, the phone must be momentarily placed on-hook.

	Touch Tones	Pulse
(1) Activate relay 1 or 2	* *	pulse dial 3 or hook flash 3 times
(1) Continuously activate relay 1 or 2	* 1	
(1)(2) Continuously de-activate relay 1 or 2	* 0	
(1)(2) Toggle relay from last position/activate second relay (shared relay mode) ...	* #	
Answer or disconnect a doorbox call	#	pulse dial 2 or hook flash 2 times
Monitor doorbox 1	# 1	
Monitor doorbox 2	# 2	

(1) These commands will only function while communicating with a doorbox.

(2) When a relay is de-activated, a single beep is heard in place of the two conformation tones.

Product Support Line...(715) 386-8666

Fax Back Line...(715) 386-4345

Due to the dynamic nature of the product design, the information contained in this document is subject to change without notice. Viking Electronics, its affiliates and/or subsidiaries assume no responsibility for errors and/or omissions contained in this information. Revisions of this document or new editions of it may be issued to incorporate such changes.