



APPLICATION Note

TELECOM SOLUTIONS FOR THE 21ST CENTURY

Contact Closure Dialing with Hot-Line Dialers

March 18, 2009

Initiate Dialing from a Contact Closure

All of Viking's hot-line dialers, both existing and discontinued, may be configured to dial when triggered by a contact closure. This is ideal for applications where a piece of equipment provides the closure, allowing the dialer to dial a phone number or pager number for alarm notification.

Various contact closures are required, depending on the dialer.

Important: Different revisions of products may require different programming and/or setup. Please read your serial label to find the proper selection.



<http://www.vikingelectronics.com>

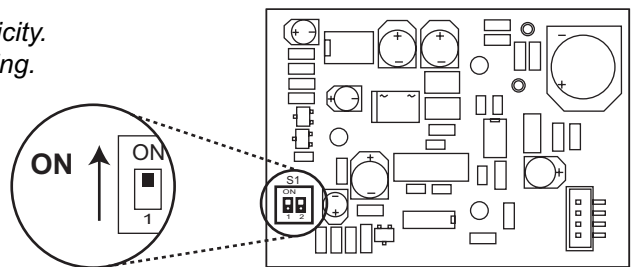
Phone...715.386.8861

K-1900-5

A. Converting the K-1900-5 to Contact Closure Dialing

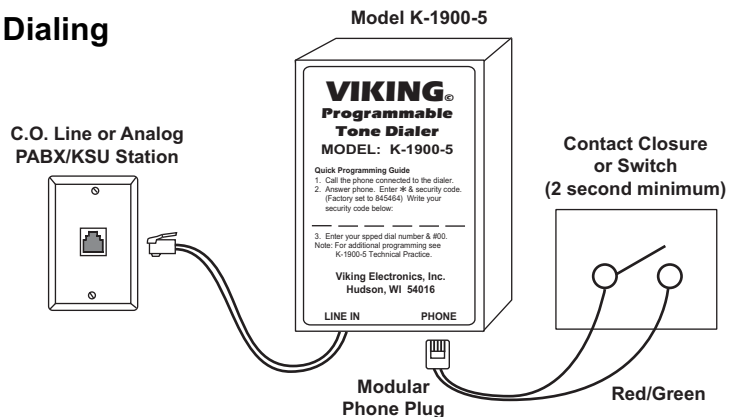
Important: Electronic components are sensitive to static electricity. Personnel and the work area should be grounded before handling.

1. Remove the cover of the **K-1900-5**.
2. Locate the Dip switches.
3. Set DIP switch **1** to **ON** (as shown to the right).
4. Replace the cover when finished.



B. Installing the K-1900-5 for Contact Closure Dialing

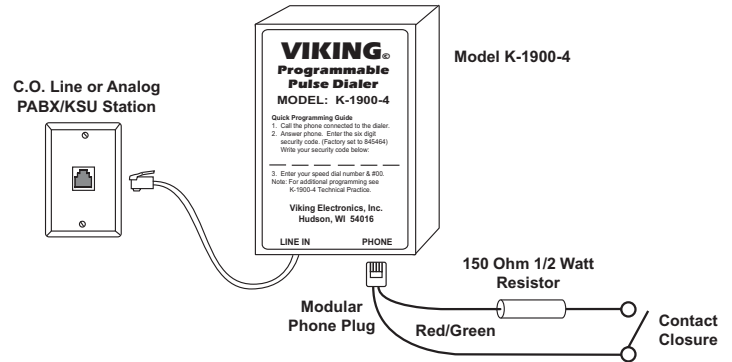
Note: The **K-1900-5** will drop the line as soon as it's done dialing, so it is important to add several pauses to the end of the dialing string to allow time for the call to go through. If the contact or switch is continuous, the **K-1900-5** will drop the line when closure is released.



K-1900-4

A. Single Number Dialing

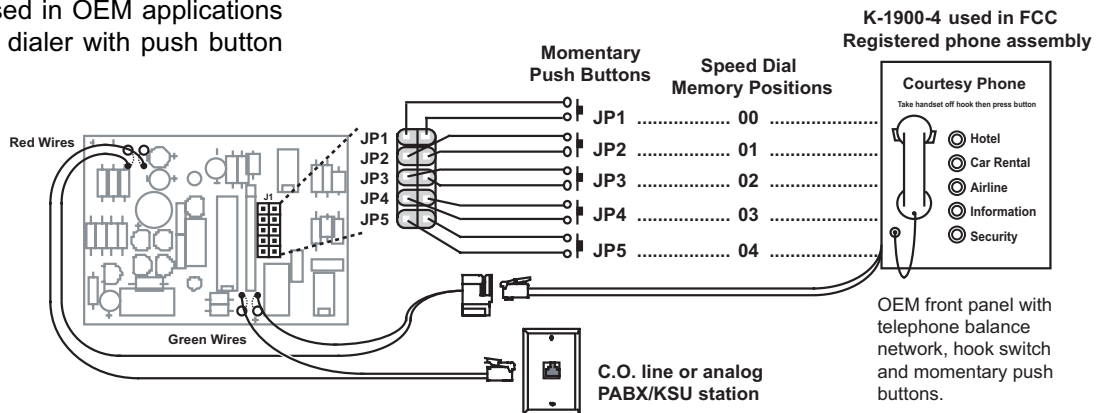
Note: The contact closure must be maintained for the duration of the call.



B. Dialing Up to 5 Numbers from Multiple Contact Closures

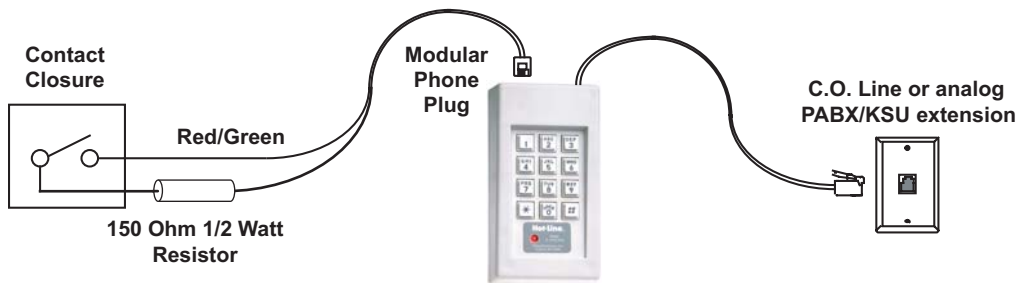
The K-1900-4 may be used in OEM applications to create a multi-number dialer with push button selections.

Note: Contact Viking Technical Support for configurations of up to 31 speed dial numbers.



K-1900-5KB (discontinued)

Note: The contact closure must be maintained for the duration of the call.



K-2000-DVA

The K-2000-DVA combines multi-number dialing from multiple contact closures combined with a built-in digital voice announcer for emergency and non-emergency applications. The K-2000-DVA can store multiple phone numbers and can record and play a user recorded alarm message.

For more information regarding the K-2000-DVA, retrieve Fax Back Document 303.

Product Support Line...715.386.8666

Fax Back Line...715.386.4345

Due to the dynamic nature of the product design, the information contained in this document is subject to change without notice. Viking Electronics, and its affiliates and/or subsidiaries assume no responsibility for errors and omissions contained in this information. Revisions of this document or new editions of it may be issued to incorporate such changes.