



# Weatherproof Telephone Secondary Bell

**High-volume telephone call signalling device for harsh weather conditions**

- ▶ IP 66
- ▶ High-volume multitone bell
- ▶ Temperature range -20 °C to +70 °C

## Application

The weatherproof telephone secondary bells are particularly well equipped for use in areas exposed to extreme environmental influences. The tough housing withstands rain, high air humidity, heat and cold as well as the influence of acids,

alkalis and grease. The user can select between a single-tone, two-tone, three-tone or warble tone ring with the help of internal DIP switches. Four different tone sequence frequencies can also be selected in a range between 5 and 20 Hz.

## Secondary telephone bell in a receiving department

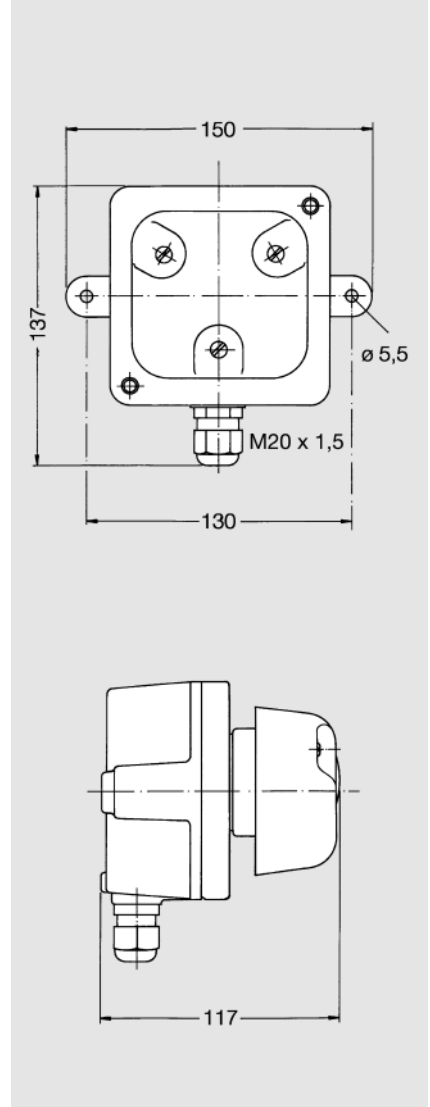
The tough housing withstands rain, high air humidity, heat and cold as well as the influence of acids, alkalis and greases.



## Technical specifications

Housing	Aluminium die cast
Colour	Black
Cover	UV-resistant Macrolon (polycarbonate)
Protection degree	IP 66 (IEC 529)
Operating position	Wall or ceiling mounting
Temperature range	
Operation	-20 °C to +70 °C
Storage	-40 °C to +85 °C
Weight	0.5 kg
Secondary telephone bell	The high volume secondary telephone bell is independent from the 230 V mains because it is supplied solely with power by the call voltage of the telephone. Sixteen different acoustic patterns can be set with the help of a four-pole internal DIP switch.
Telephone connection	
Terminals	W, L <sub>b</sub>
Call voltage	24 VAC to 75 VAC
Branch exchange voltage	0 VDC to 63 VDC
Input impedance	At 25 Hz $Z \geq 8 \text{ k}\Omega$ At 50 Hz $Z \geq 4 \text{ k}\Omega$
Acoustic signalling	
Acoustic signalling device	Loudspeaker
Acoustic signal	Single-tone*, two-tone*, three-tone*
Tone sequence frequency	4 different settings* between 5 Hz and 20 Hz
Volume	Approx. 90 dB(A), 1 m (Regarding volume specifications, please see the chapter "Technical Informations".)
Approval	Deutsche Telekom AG BZT A 118012F

\* Selectable with DIP switches



## Order information

Type	Name	Rated voltage	Article no.
5843/2	Weatherproof Secondary Telephone Bell	Supplied from telephone	211 101 05

Subject to change without notice · Printout 05/14